

# Parts Catalogue

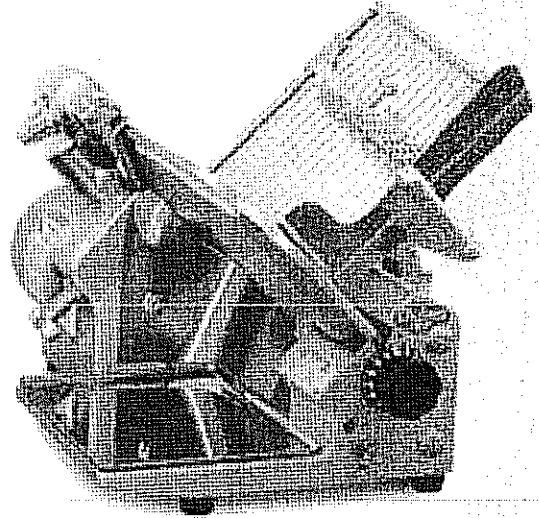
*Chefmate*  
by *Globe*

*Chefmate*  
by *Globe*

*Chefmate*  
by *Globe*

*Chefmate*  
by *Globe*

*Chefmate*  
by *Globe*



Model GC512

## SLICING MACHINES

MODEL: GC512

1-1-2002

IMPORTANT!

TO EXPEDITE SHIPMENT OF PARTS, ALWAYS SPECIFY MODEL, REV,  
PART NUMBER, AND SERIAL NUMBER OF SLICER.

### **GLOBE FOOD EQUIPMENT COMPANY**

2268 N. Moraine Drive

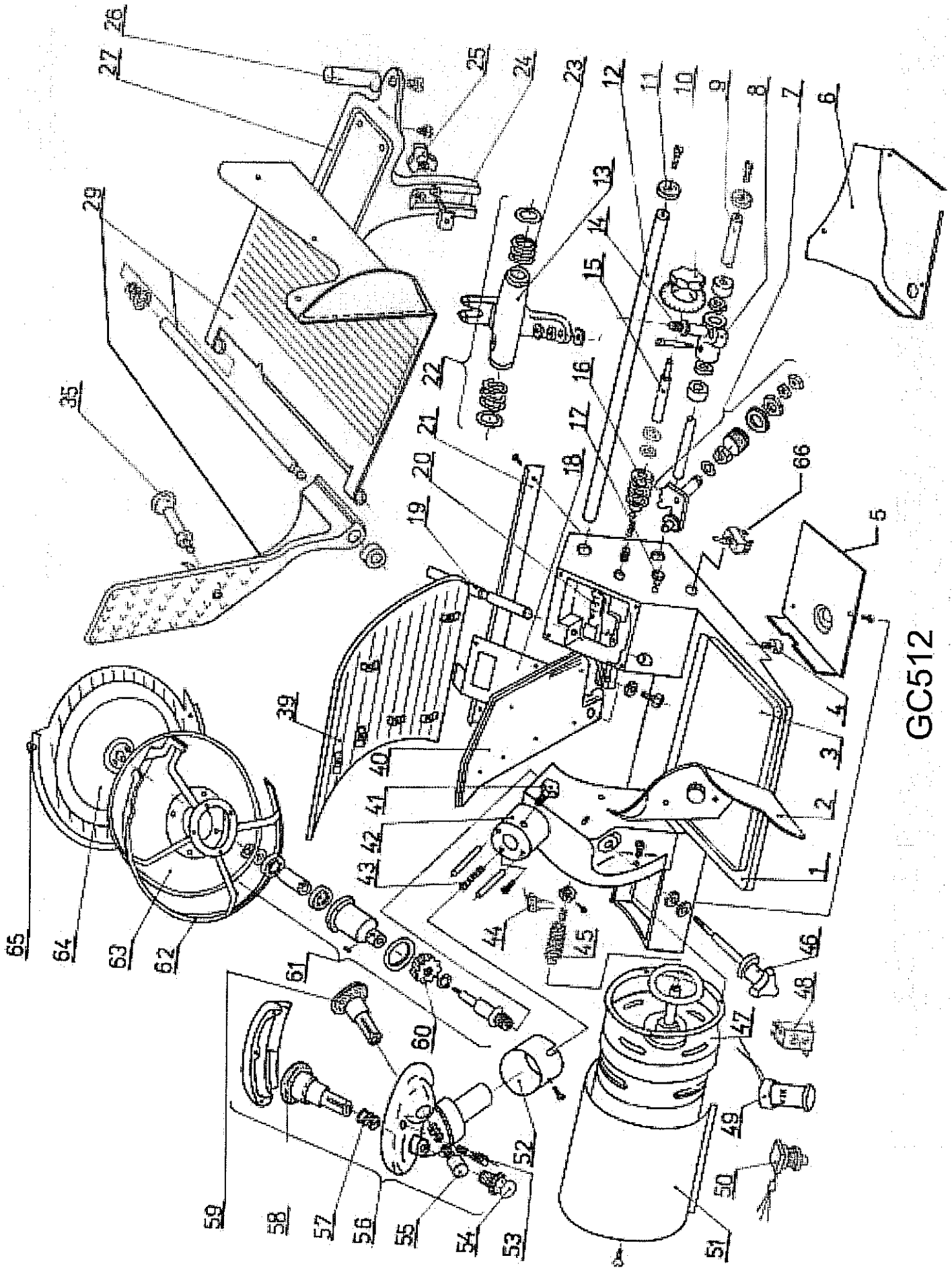
Dayton, Ohio 45439

#### **Parts Department**

Toll Free 1-800-745-6238 • Fax (937) 290-0585

E-Mail: [globeinfo@globeslicers.com](mailto:globeinfo@globeslicers.com)

Website: [www.globeslicers.com](http://www.globeslicers.com)



GC512

## GC 512 PARTS

|           |          |                             |
|-----------|----------|-----------------------------|
| 1         | A101     | SLICER BASE                 |
| 2         | A035□    | S.S. SLICE DEFLECTOR        |
| 3         | A001□    | RECEIVING TRAY              |
| 4         | A040□    | RUBBER FOOT                 |
| 5         | A011□    | REAR COVER PLATE            |
| 6         | A017□    | FRONT COVER PLATE           |
| 7         | A130□    | TABLE ADJUST GEAR ASSEMBLY  |
| 8         | A170□    | LOWER SLIDE BUSHING         |
| 9         | A104□    | LOWER SLIDE BAR             |
| 10        | 407-1B   | ADJUST KNOB                 |
| 11        | A106□    | SLIDE BAR WASHER            |
| 12        | A103□    | UPPER SLIDE BAR             |
| 13        | A165□    | UPPER SLIDE BUSHING         |
| 14        | A162□    | LOWER BUSHING STUD          |
| 15        | A114     | KNOB SHAFT                  |
| 16        | A116□    | WORM GEAR                   |
| 17        | 952-11□  | POWER ON LAMP               |
| 18        | A018□    | TABLE ADJUST COVER          |
| 19        | A112□    | TABLE SLIDE SHAFT           |
| 20        | A140□    | TABLE SLIDE                 |
| 21        | A006□    | SIDE COVER PLATE            |
| 22        | A160□    | CHUTE ARM RECEIVER          |
| 23        | A166□    | BUMPER SPRING               |
| 24        | A415□    | PLATE & STUD ASSEMBLY       |
| 25        | A222□    | SUPPORT KNOB                |
| 26        | A413□    | CHUTE HANDLE                |
| 27        | A2410□   | CHUTE SUPPORT               |
| 29        | A2420□   | S.S. CHUTE ASSEMBLY         |
| 35        | A451     | END WEIGHT HANDLE           |
| 39        | A025□    | S.S. TABLE                  |
| 40        | A021□    | TABLE SUPPORT               |
| 41        | A220□    | SHARPENER LOCK KNOB         |
| 42        | A2210□   | GEAR HOUSING                |
| 43        | A208□    | SHARPENER SPRING            |
| 44        | A215□    | MICRO SWITCH                |
| 45        | A264□    | MOTOR GEAR                  |
| 46        | A230□    | KNIFE COVER STUD KNOB       |
| 47        | A260□    | KNIFE MOTOR 1/3 HP-60HZ-1PH |
| 48        | AR10/16□ | THERMAL OVERLOAD            |
| 49        | AKER     | START CAPACITOR             |
| 50        | APR-5    | RELAY                       |
| 51        | A270     | MOTOR COVER                 |
| 52        | A306□    | SHARPENER DUST COVER        |
| 53        | A312□    | SHARPENER COVER SCREW       |
| 54        | A303□    | HONING STONE KNOB           |
| 55        | A301□    | GRINDING STONE KNOB         |
| 56        | A2300□   | SHARPENING ASSEMBLY         |
| 57        | A302□    | SPRING                      |
| 58        | A330□    | HONING STONE ASSEMBLY       |
| 59        | A320□    | GRINDING STONE ASSEMBLY     |
| 60        | A293□    | NYLON GEAR                  |
| 61        | A290□    | BEARING ASSEMBLY            |
| 62        | A225□    | KNIFE RIM GAURD             |
| 63        | A281□    | KNIFE S.S.                  |
| 64        | A250□    | KNIFE COVER SUPPORT         |
| 65        | A245     | S.S. KNIFE COVER            |
| 66        | A785     | ON/OFF SWITCH               |
| NOT SHOWN | 132-3□   | POWER CORD                  |
| NOT SHOWN | 785-1SG  | SWITCH GUARD                |
| NOT SHOWN | 952-13□  | SWITCH BOOT                 |

# GC512 WIRING

