

Parts Catalogue



SLICING MACHINES

MODELS: GC9, GC10, GC12, GC12D

07-30-04

IMPORTANT!

TO EXPEDITE SHIPMENT OF PARTS, ALWAYS SPECIFY MODEL, REV,
PART NUMBER, AND SERIAL NUMBER OF SLICER.

GLOBE FOOD EQUIPMENT COMPANY

P.O. Box 3209

Dayton, Ohio 45401

Parts Department

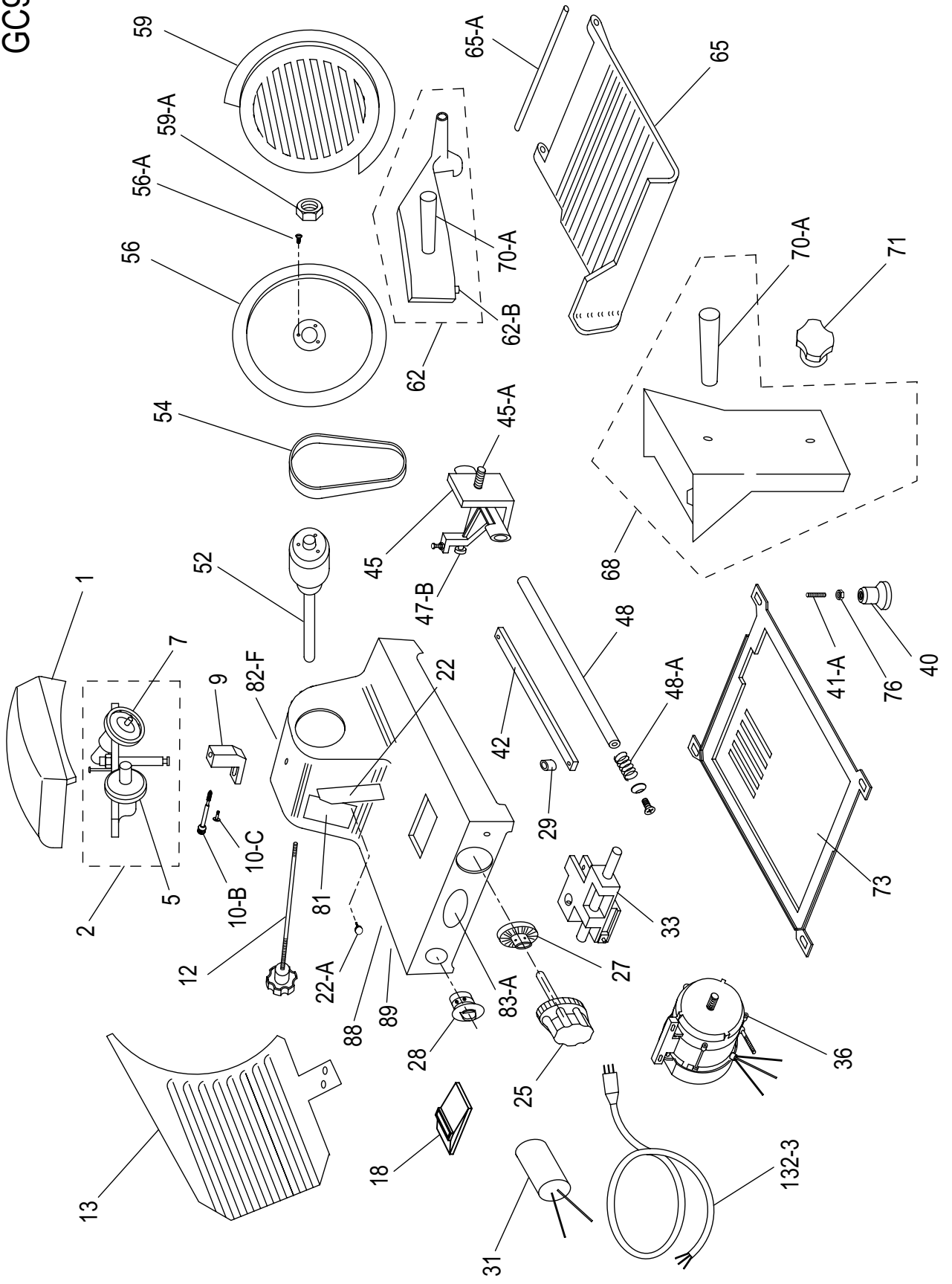
Toll Free 1-800-745-6238 • Fax (937) 290-0585

E-Mail: globeinfo@globeslicers.com

Website: www.globeslicers.com

Not for resale

GC9

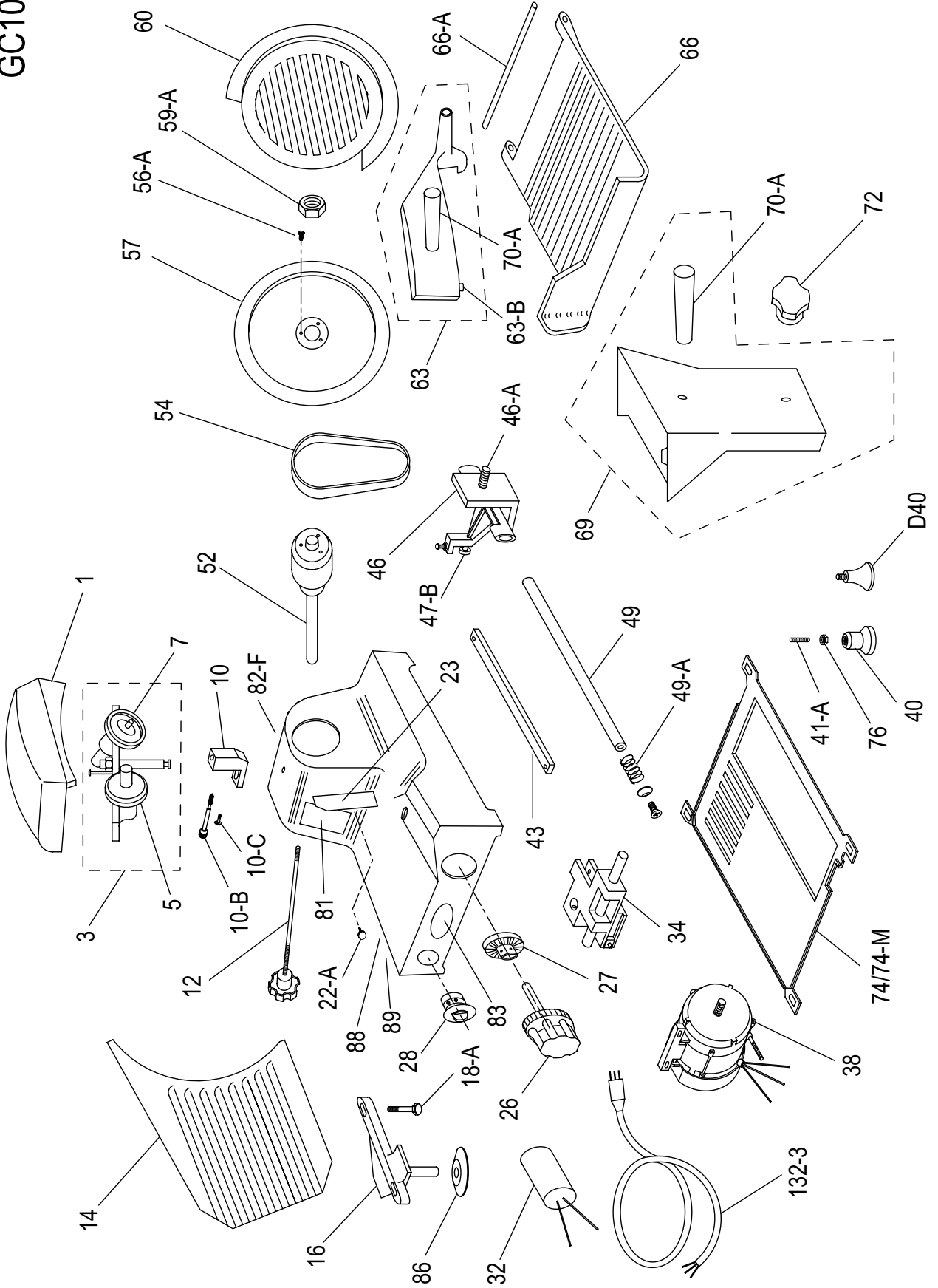


GC9
PARTS LIST

ITEM/PART NO.	DESCRIPTION	QTY
1	SHARPENER COVER	1
2	SHARPENER ASSEMBLY	1
5	SHARPENING STONE	1
7	TRUING STONE	1
9	SHARPENER SUPPORT	1
10-B	SPECIAL SCREW, LONG	1
10-C	STOP SCREW	1
12	COVER RELEASE KNOB	1
13	SLICER TABLE	1
18	TABLE HOLE COVER	1
22	DEFLECTOR	1
22-A	DEFLECTOR SCREW	2
25	INDEX KNOB	1
27	INDEXING CAM	1
28	ON/OFF SWITCH	1
29	SLIDE BAR SPACER	2
31	CAPACITOR	1
33	TABLE ADJUSTMENT ASSEMBLY	1
36	MOTOR 115V, 60HZ, 1PH	1
40	RUBBER FOOT (SET/4)	1
41-A	FOOT SCREW	4
42	SLIDE BAR	1
45	CHUTE SLIDE ASSEMBLY	1
45-A	CHUTE STUD	1
47-B	BEARING, SMALL	1

ITEM/PART NO.	DESCRIPTION	QTY
48	SLIDE ROD	1
48-A	SPRING, SLIDE ROD	1
52	DRIVE HUB ASSEMBLY	1
54	DRIVE BELT	1
56	KNIFE	1
56-A	SCREW, KNIFE MOUNTING	3
59	KNIFE COVER	1
59-A	KNIFE COVER INSERT	1
62	END WEIGHT ASSEMBLY	1
62-B	ENDWEIGHT BUMPER	1
70-A	HANDLE, CHUTE SUPPORT	1
65	FOOD CHUTE	1
65-A	END WEIGHT ROD	1
68	CHUTE SUPPORT	1
70-A	HANDLE, CHUTE SUPPORT	1
71	CHUTE KNOB	1
73	BOTTOM ENCLOSURE-PLASTIC	1
81	WARNING LABEL-ENGLISH	1
82-F	WARNING LABEL-FRENCH (CSA ONLY)	1
83-A	CHEFMATE LOGO	1
88	OVERLOAD RESET LABEL (CSA ONLY)	1
89	OVERLOAD RESET SWITCH (CSA ONLY)	1
132-3	POWER CORD, THREE PRONG	1

GC10

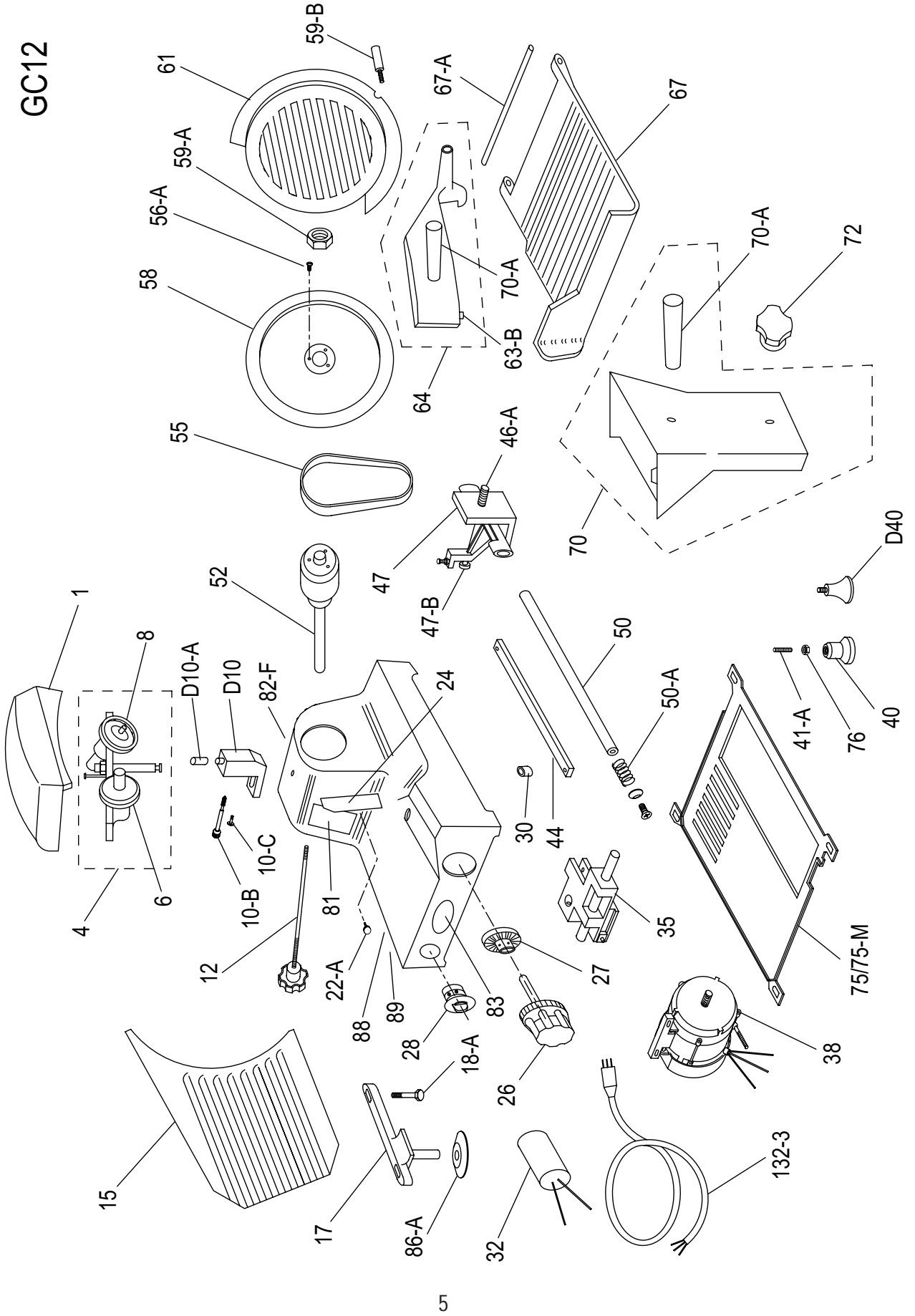


GC10
PARTS LIST

ITEM/PART NO.	DESCRIPTION	QTY
1	SHARPENER COVER	1
3	SHARPENER ASSEMBLY	1
5	SHARPENING STONE	1
7	TRUING STONE	1
10	SHARPENER SUPPORT	1
10-B	SPECIAL SCREW, LONG	1
10-C	STOP SCREW	1
12	COVER RELEASE KNOB	1
14	SLICER TABLE	1
16	TABLE SUPPORT BRACKET	1
18-A	TABLE SUPPORT SCREW	1
22-A	DEFLECTOR SCREW	2
23	DEFLECTOR	1
26	INDEX KNOB	1
27	INDEXING CAM	1
28	ON/OFF SWITCH	1
32	CAPACITOR	1
34	TABLE ADJUSTMENT ASSEMBLY	1
38	MOTOR 115V, 60HZ, 1PH	1
40	RUBBER FOOT (4), OLD STYLE PRIOR TO S/N 114204	1
41-A	FOOT SCREW, OLD STYLE PRIOR TO S/N 114204	1
43	SLIDE BAR	1
46	CHUTE SLIDE ASSEMBLY	1
46-A	CHUTE STUD	1
47-B	BEARING, SMALL	1
49	SLIDE ROD	1

ITEM/PART NO.	DESCRIPTION	QTY
49-A	SPRING, SLIDE ROD	1
52	DRIVE HUB ASSEMBLY	1
54	DRIVE BELT	1
56-A	SCREW, KNIFE MOUNTING	3
57	KNIFE	1
59-A	KNIFE COVER INSERT	1
60	KNIFE COVER	1
63	END WEIGHT ASSEMBLY	1
63-B	ENDWEIGHT BUMPER	1
70-A	HANDLE, CHUTE SUPPORT	1
66	FOOD CHUTE	1
66-A	END WEIGHT ROD	1
69	CHUTE SUPPORT	1
70-A	HANDLE, CHUTE SUPPORT	1
72	CHUTE KNOB	1
74	BOTTOM ENCLOSURE-PLASTIC PRIOR TO S/N 114204	1
74-M	BOTTOM ENCLOSURE-METAL STARTING WITH S/N 114204	1
76	BOTTOM ENCLOSURE NUT USE PRIOR TO S/N114204	4
81	WARNING LABEL-ENGLISH	1
82-F	WARNING LABEL-FRENCH (CSA ONLY)	1
83	CHEFMATE LOGO	1
86	BASE HOLE COVER	1
88	OVERLOAD RESET LABEL (CSA ONLY)	1
89	OVERLOAD RESET SWITCH (CSA ONLY)	1
132-3	POWER CORD, THREE PRONG	1
D40	RUBBER FOOT (4), NEW STYLE STARTING WITH S/N 114204	1

GC12

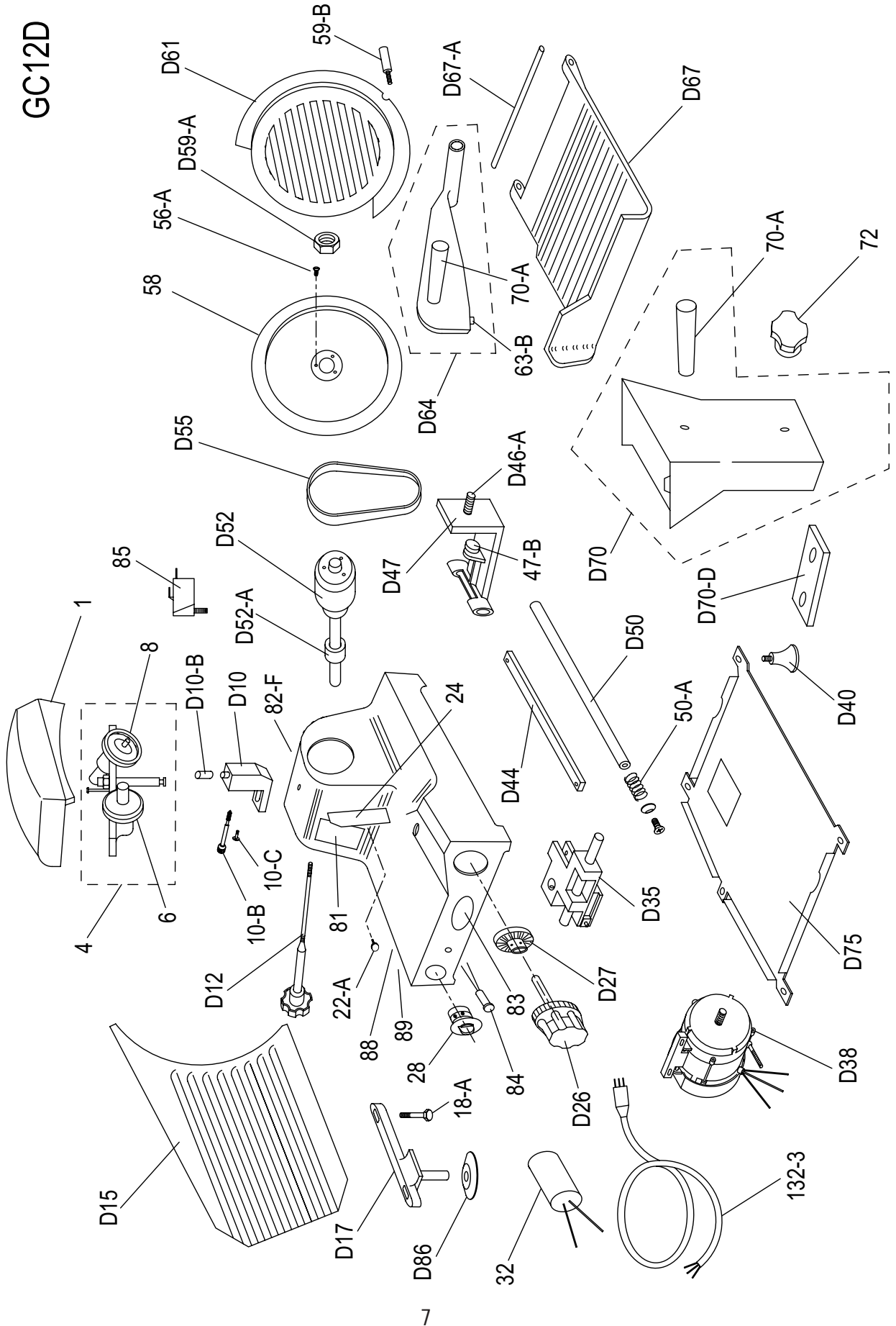


GC12
PARTS LIST

ITEM/PART NO.	DESCRIPTION	QTY
1	SHARPENER COVER	1
4	SHARPENER ASSEMBLY	1
6	SHARPENING STONE	1
8	TRUING STONE	1
10-B	SPECIAL SCREW, LONG	1
10-C	STOP SCREW	1
D10	SHARPENER SUPPORT	1
D10-A	SHARPENER SUPPORT SLEEVE	1
12	COVER RELEASE KNOB	1
15	SLICER TABLE	1
17	TABLE SUPPORT BRACKET	1
18-A	TABLE SUPPORT SCREW	1
22-A	DEFLECTOR SCREW	2
24	DEFLECTOR	1
26	INDEX KNOB	1
27	INDEXING CAM	1
28	ON/OFF SWITCH	1
30	SLIDE BAR SPACER	2
32	CAPACITOR	1
35	TABLE ADJUSTMENT ASSEMBLY	1
38	MOTOR 115V, 60HZ, 1PH	1
D40	RUBBER FOOT (4), NEW STYLE STARTING WITH S/N 131960	1
40	RUBBER FOOT (4), OLD STYLE PRIOR TO S/N 131960	1
41-A	FOOT SCREW, OLD STYLE PRIOR TO S/N 131960	1
44	SLIDE BAR	1
47	CHUTE SLIDE ASSEMBLY	1
46-A	CHUTE STUD	1
47-B	BEARING, SMALL	1

ITEM/PART NO.	DESCRIPTION	QTY
50	SLIDE ROD	1
50-A	SPRING, SLIDE ROD	1
52	DRIVE HUB ASSEMBLY	1
55	DRIVE BELT	1
56-A	SCREW, KNIFE MOUNTING	3
58	KNIFE	1
59-A	KNIFE COVER INSERT	1
59-B	COVER SUPPORT STUD	1
61	KNIFE COVER	1
64	END WEIGHT ASSEMBLY	1
63-B	ENDWEIGHT BUMPER	1
70-A	HANDLE, CHUTE SUPPORT	1
67	FOOD CHUTE	1
67-A	END WEIGHT ROD	1
70	CHUTE SUPPORT	1
70-A	HANDLE, CHUTE SUPPORT	1
72	CHUTE KNOB	1
75	BOTTOM ENCLOSURE-PLASTIC PRIOR TO S/N 131960	1
75-M	BOTTOM ENCLOSURE-METAL STARTING WITH S/N 131960	1
76	BOTTOM ENCLOSURE NUT USE PRIOR TO S/N 131960	4
81	WARNING LABEL-ENGLISH	1
82-F	WARNING LABEL-FRENCH (CSA ONLY)	1
83	CHEFMATE LOGO	1
86	BASE HOLE COVER	1
88	OVERLOAD RESET LABEL (CSA ONLY)	1
89	OVERLOAD RESET SWITCH (CSA ONLY)	1
132-3	POWER CORD, THREE PRONG	1

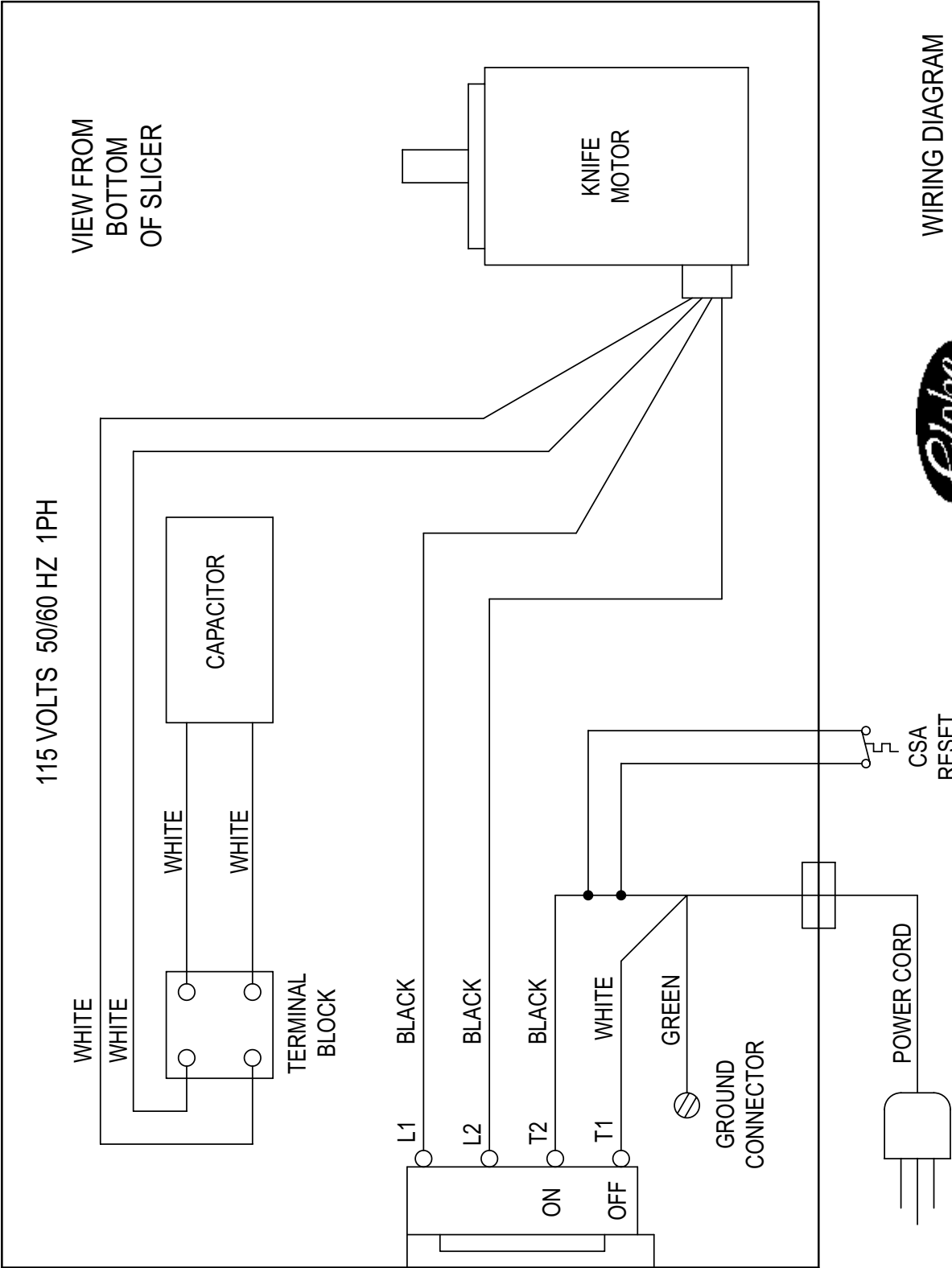
GC12D



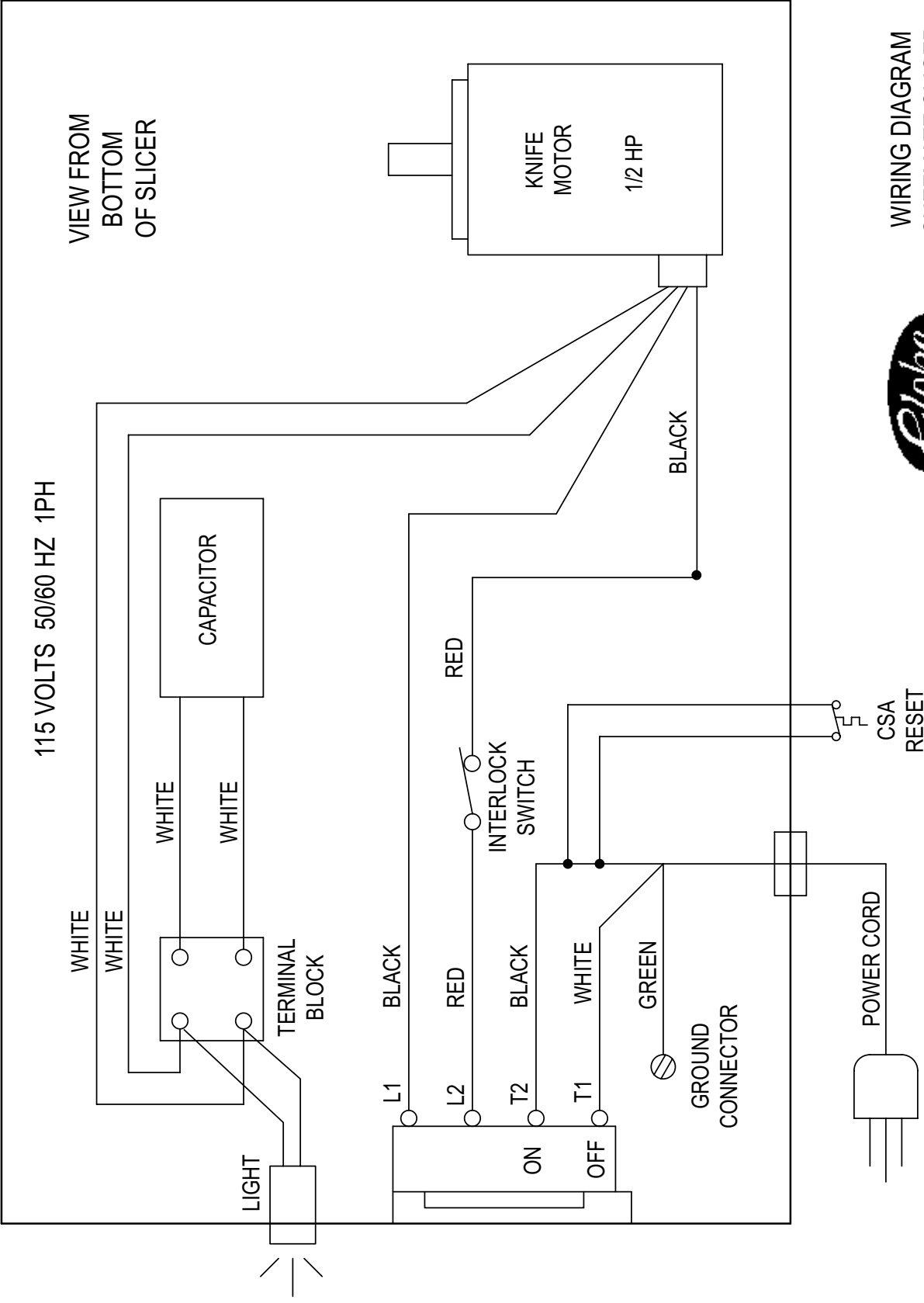
GC12D
PARTS LIST

ITEM/PART NO.	DESCRIPTION	QTY
1	SHARPENER COVER	1
4	SHARPENER ASSEMBLY	1
6	SHARPENING STONE	1
8	TRUING STONE	1
10-B	SPECIAL SCREW, LONG	1
10-C	STOP SCREW	1
D10	SHARPENER SUPPORT	1
D10-B	SHARPENER SUPPORT SLEEVE	1
D12	COVER RELEASE KNOB	1
D15	SLICER TABLE	1
D17	TABLE SUPPORT BRACKET	1
18-A	TABLE SUPPORT SCREW	1
22-A	DEFLECTOR SCREW	2
24	DEFLECTOR	1
D26	INDEX KNOB	1
D27	INDEXING CAM	1
28	ON/OFF SWITCH	1
32	CAPACITOR	1
D35	TABLE ADJUSTMENT ASSEMBLY	1
D38	MOTOR 115V, 60HZ, 1PH	1
D40	RUBBER FOOT (SET/4)	1
D44	SLIDE BAR	1
D47	CHUTE SLIDE ASSEMBLY	1
D46-A	CHUTE STUD	1
47-B	BEARING, SMALL	1
D50	SLIDE ROD	1
50-A	SPRING, SLIDE ROD	1

ITEM/PART NO.	DESCRIPTION	QTY
D52	DRIVE HUB ASSEMBLY	1
D52-A	MICROSWITCH COLLAR	1
D55	DRIVE BELT	1
56-A	SCREW, KNIFE MOUNTING	3
58	KNIFE	1
D59-A	KNIFE COVER INSERT	1
59-B	COVER SUPPORT STUD	1
D61	KNIFE COVER	1
D64	END WEIGHT ASSEMBLY	1
63-B	ENDWEIGHT BUMPER	1
70-A	HANDLE, CHUTE SUPPORT	1
D67	FOOD CHUTE	1
D67-A	END WEIGHT ROD	1
D70	CHUTE SUPPORT	1
70-A	HANDLE, CHUTE SUPPORT	1
D70-D	CHUTE SUPPORT MOUNTING PLATE	1
72	CHUTE KNOB	1
D75	BOTTOM ENCLOSURE-METAL	1
81	WARNING LABEL-ENGLISH	1
82-F	WARNING LABEL-FRENCH (CSA ONLY)	1
83	CHEFMATE LOGO	1
84	INDICATOR LIGHT 110VAC	1
85	MICROSWITCH	1
D86	BASE HOLE COVER	1
88	OVERLOAD RESET LABEL (CSA ONLY)	1
89	OVERLOAD RESET SWITCH (CSA ONLY)	1
132-3	POWER CORD, THREE PRONG	1



WIRING DIAGRAM
CHEFMATE SLICER
MODELS GC9, GC10, GC12



WIRING DIAGRAM
 CHEFMATE SLICER
 MODEL GC12D



