

# Parts Catalog



SP60P

## MIXERS

MODEL: SP60P

03-27-06

IMPORTANT!

TO EXPEDITE SHIPMENT OF PARTS, ALWAYS SPECIFY MODEL, REV,  
PART NUMBER, AND SERIAL NUMBER OF MIXER.

## GLOBE FOOD EQUIPMENT COMPANY

P.O. Box 3209  
Dayton, Ohio 45401

### Parts Department

Toll Free 1-800-745-6238 · Fax (937) 290-0585

E-Mail: [globeinfo@globeslicers.com](mailto:globeinfo@globeslicers.com)

Website: [www.globeslicers.com](http://www.globeslicers.com)

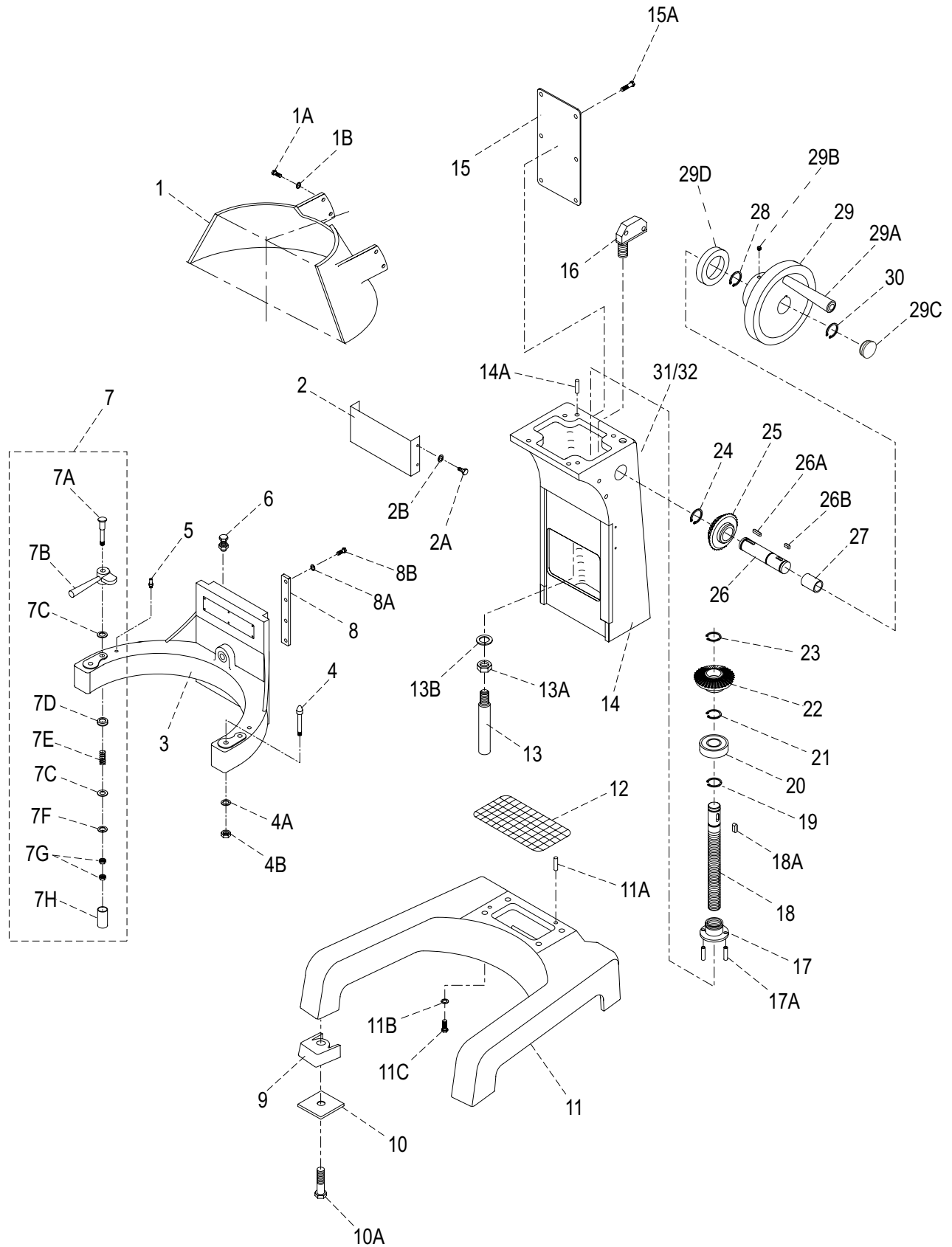
Not for resale



## TABLE OF CONTENTS

<u>BASE</u>	<u>1 - 2</u>
<u>HEAD</u>	<u>3 - 4</u>
<u>HUB</u>	<u>5</u>
<u>PLANETARY</u>	<u>6</u>
<u>GEAR</u>	<u>7 - 8</u>
<u>MOTOR</u>	<u>9</u>
<u>WIRING DIAGRAM 220 / 1 PHASE</u>	<u>10</u>
<u>WIRING DIAGRAM 208 / 3 PHASE</u>	<u>11</u>
<u>SCHEMATIC 220 / 1 PHASE</u>	<u>12</u>
<u>SCHEMATIC 208 / 3 PHASE</u>	<u>13</u>

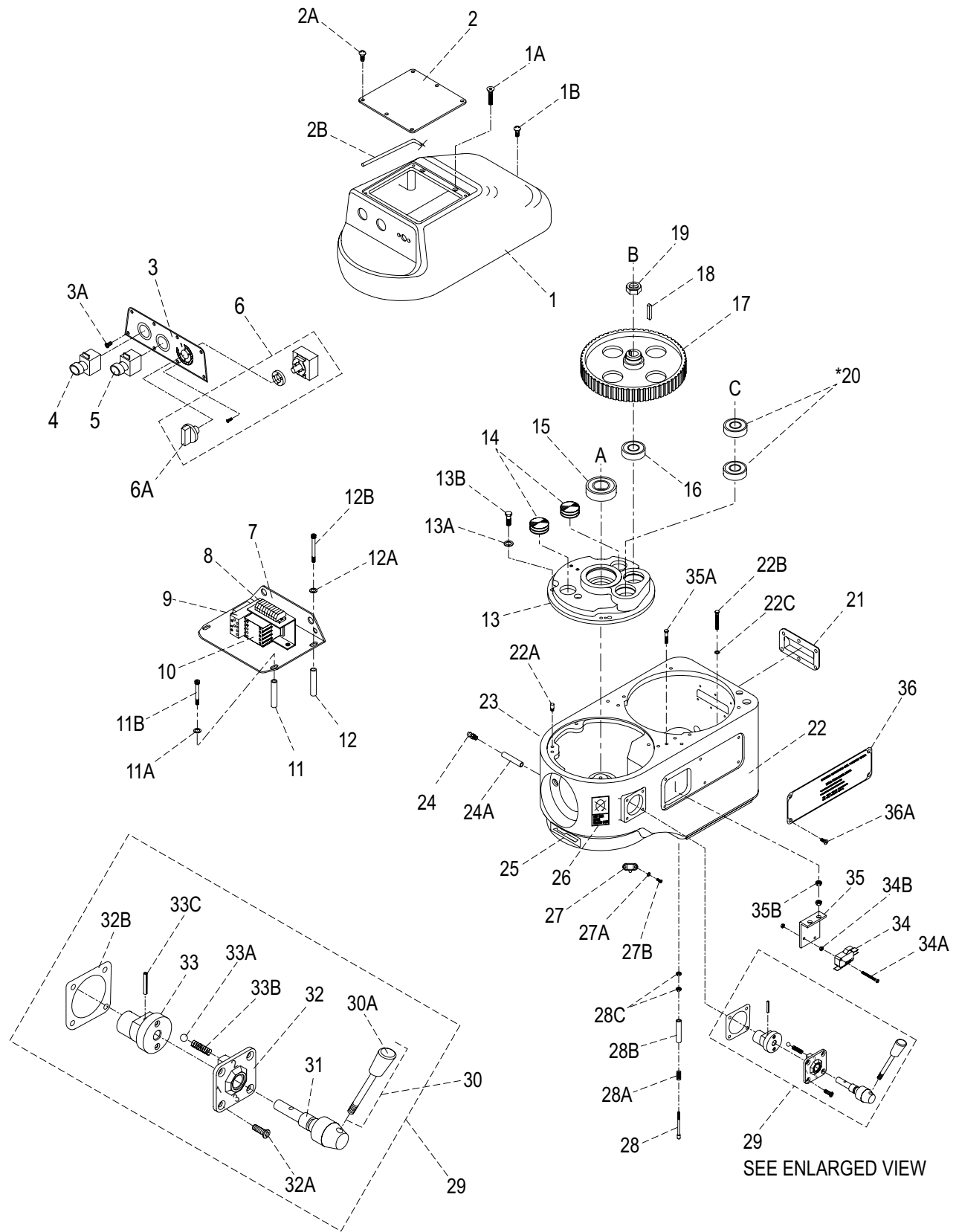
# SP60P BASE



## SP60P BASE

ITEM	DESCRIPTION	PART NUMBER	QTY
1	GUARD, REAR	X60036	1
1A	SCREW	X60101	4
1B	WASHER, FLAT	X60101A	4
2	MIXER COLUMN COVER	X60102	1
2A	SCREW	X60182	3
2B	WASHER, FLAT	X60182A	3
3	BOWL CRADLE	X60034	1
4	DOWEL SCREW	X60109	2
4A	WASHER, LOCK	X60166	2
4B	NUT, STOP	X60110	8
5	BOWL CLAMP STOP PIN	X60164	2
6	TOUCH SHAFT & NUT	X60106	1
7	BOWL CLAMP, OLD STYLE (SET/2)	X60033-1	1
	BOWL CLAMP, NEW STYLE (SET/2)	X60033-2	1
7A	BOWL CLAMP SCREW	X60108	2
7B	BOWL CLAMP (SET/2)	X60033	1
7C	WASHER, FLAT	X60033A	4
7D	HARDWARE CAP RETAINER	X60033B	2
7E	SPRING	X60168	2
7F	WASHER, LOCK	X60033C	2
7G	NUT, STOP	X60169	4
7H	HARDWARE CAP	X60170	2
8	CRADLE SLIDE GUIDES	X60035	2
8A	WASHER, FLAT	X60107A	8
8B	SCREW	X60107	8
9	FRONT/REAR RUBBER FEET (SET)	X60162-163	1
10	SHIPPING WASHER	X60173	4
10A	SCREW	X60039	4
11	MIXER BASE	X60038	1
11A	PIN, COLUMN LOCATOR	X60040	2
11B	WASHER, FLAT	X60171	4
11C	SCREW	X60172	4
12	BASE SCREEN	X60037	1
13	TOUCH SHAFT, BOWL STOP	X60218	1
13A	NUT, BOWL STOP PIN	X60219	1
13B	WASHER, LOCK	X60221	1
14	MIXER COLUMN	X60042	1
14A	PIN, HEAD LOCATOR	X60165	2
15	PLATE, REAR COVER	X60055	1
15A	SCREW	X60056	6
16	MICROSWITCH, BOWL LIFT	X60051	1
17	SCREW SLEEVE	X60104	1
17A	PIN	X60105	2
18	BOWL LIFT SCREW	X60041	1
18A	KEY	X60041A	1
19	C-RING	X60103	1
20	BALL BEARING	X60043	1
21	C-RING	X60044	1
22	OBLIQUE GEAR (30T)	X60045	1
23	C-RING	X60046	1
24	C-RING	X60049	1
25	OBLIQUE GEAR (30T)	X60048	1
26	SHAFT	X60047	1
26A	KEY	X60175	1
26B	KEY	X60177	1
27	OILLESS BEARING	X60050	1
28	C-RING	X60054	1
29	HAND WHEEL CRANK WITH HANDLE, PLASTIC	X60053	1
	HAND WHEEL CRANK WITH HANDLE, METAL	X60053M	
29A	HAND WHEEL CRANK HANDLE	X60053-1	1
29B	SET SCREW	X60053A	1
29C	HAND WHEEL CAP	X60053-2	1
29D	SPACER	X60053-3	1
30	C-RING	X60052	1
31	LABEL, HAZARDOUS VOLTAGE (NOT SHOWN)	X91008	1
32	LABEL, CAUTION 3-PH (3PHASE UNITS)(NOT SHOWN)	X91011	1

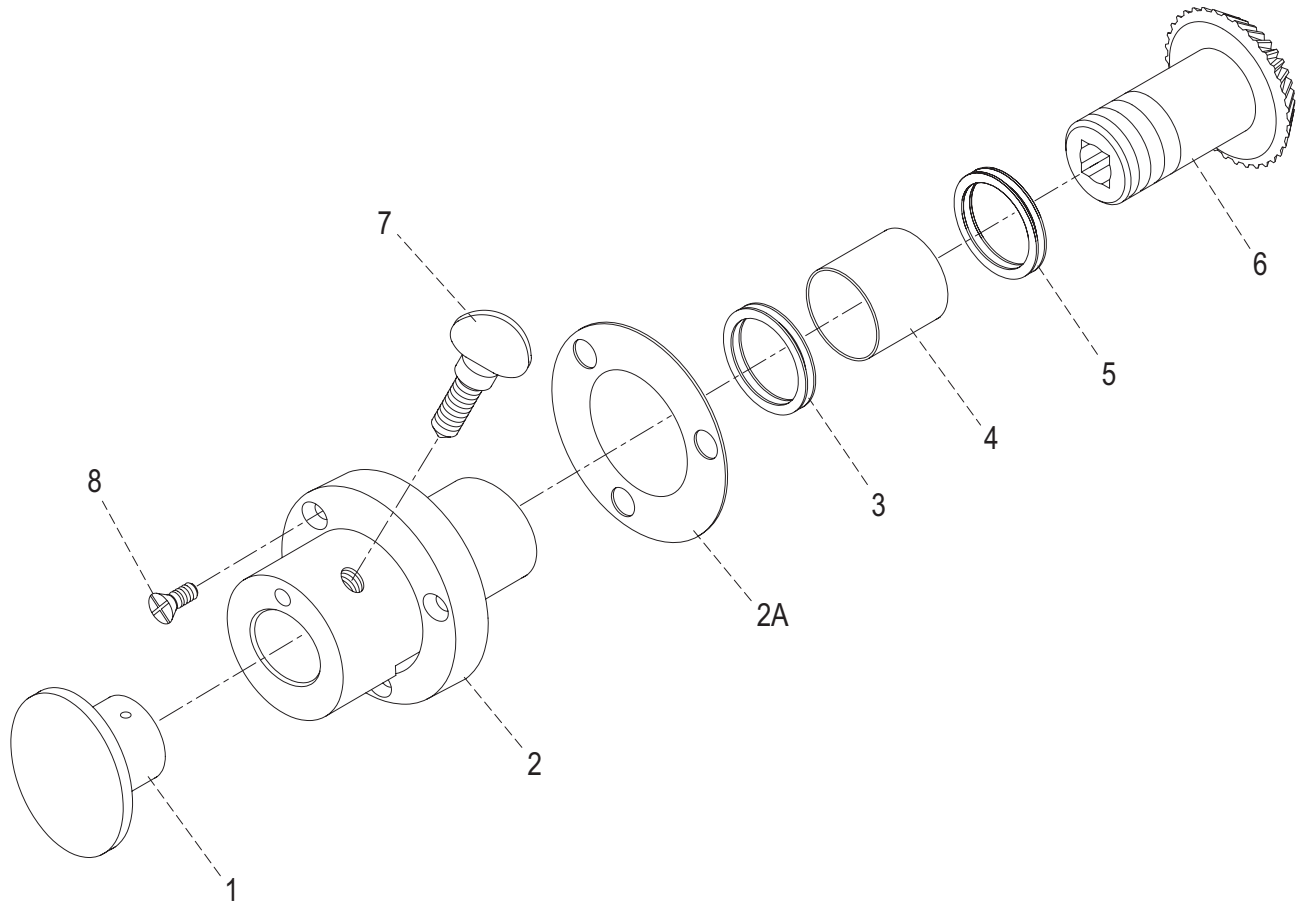
# SP60P HEAD



# SP60P HEAD

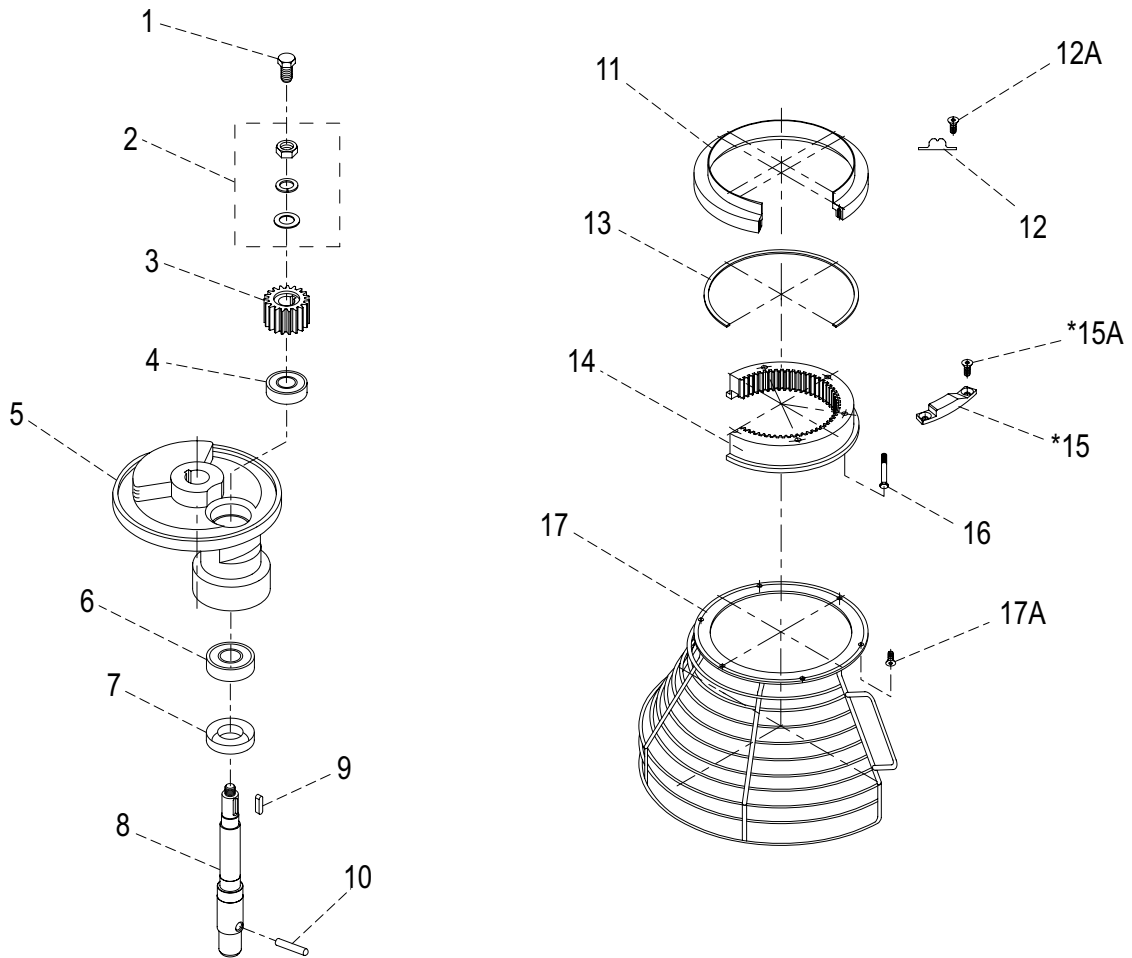
ITEM	DESCRIPTION	PART NUMBER	QTY
1	COVER, TRANSMISSION	X60004	1
1A	SCREW	X60207	2
1B	SCREW	X60220	1
2	COVER, SWITCH BOX	X60002	1
2A	SCREW	X60001	6
2B	GASKET	X60003	1
3	CONTROL PANEL	X60005	1
3A	SCREW	X60204	8
4	EMERGENCY STOP BUTTON	X60006	1
5	START BUTTON	X60007	1
5A	BOOT, START/STOP SWITCH BUTTON (NOT SHOWN)	X60007-1	2
6	TIMER WITH KNOB	X60008	1
6A	TIMER KNOB	X60206	1
7	PLATE, ELECTRONICS MOUNTING	X60013	2
8	CONNECTING BLOCK SET	X60012	1
	CONNECTING BLOCK, 2C GRY	X60012-2G	7
	CONNECTING BLOCK, 4C ORG	X60012-4R	1
	CONNECTING BLOCK END CAP	X60012-EC	1
9	OVERLOAD RELAY, SP60 3HP, 1PH	X60154-2	1
	OVERLOAD RELAY, SP60 3HP, 3PH	X60154-1	
10	CONTACTOR, SP60 3HP, 1PH	X60011-2	1
	CONTACTOR, SP60 3HP, 3PH	X60011-1	
11	TUBE, SUPPORT	X60153	2
11A	WASHER, FLAT	X60153A	2
11B	SCREW	X60086	2
12	TUBE, SUPPORT	X60085	2
12A	WASHER, FLAT	X60085A	2
12B	SCREW	X60010	2
13	COVER, GEAR HOUSING	X60077	1
13A	WASHER, LOCK	X60198	4
13B	SCREW	X60197	4
14	GREASE PLUG	X60084	2
15	BALL BEARING	X60083	1
16	BALL BEARING	X60079	1
17	WHEEL, MAIN COG	X60080	1
18	KEY	X60081	1
19	NUT, STOP - OLD STYLE (KEYED) SHAFT	X60082	1
	NUT, STOP - NEW STYLE (SPLINED) SHAFT	X60167	
*20	BALL BEARING	X60078	2
21	PLATE, VENTILATION	X60076	1
22	TRANSMISSION CASE	X60087	1
22A	PIN, LOCATING	X60199	2
23	LABEL, LUBRICATE	X91009	1
24	GREASE FITTING	X60087-1	1
24A	GREASE TUBE	X60087-2	1
25	LABEL, ARROW	X91012	1
26	LABEL, STOP TO CHANGE GEAR	X91010	1
27	SAFETY GUARD SPRING LOCK	X60160	1
27A	WASHER, FLAT	X60184A	2
27B	SCREW	X60184	2
28	TOUCH SHAFT	X60096	1
28A	SPRING	X60095	1
28B	TUBE	X60187	1
28C	NUT	X60186	2
29	GEAR SHIFT LEVER ASSEMBLY	X60057-60	1
30	GEAR SHIFT LEVER WITH KNOB	X60057	1
30A	KNOB, GEAR SHIFT	X60057-1	1
31	SHAFT	X60058	1
32	COVER	X60059	1
32A	SCREW	X60179	4
32B	GASKET	X60059-1	1
33	SHAFT BIAS	X60060	1
33A	ROLLER	X60181	2
33B	SPRING	X60180	2
33C	PIN	X60060A	1
34	MICROSWITCH	X60063	1
34A	SCREW	X60188	2
34B	NUT	X60188A	4
35	BRACKET, MICROSWITCH	X60062	1
35A	SCREW	X60190	2
35B	NUT	X60183	4
36	PLATE, WARNING	X60066	1
36A	SCREW	X60065	4

# SP60P HUB ASSEMBLY



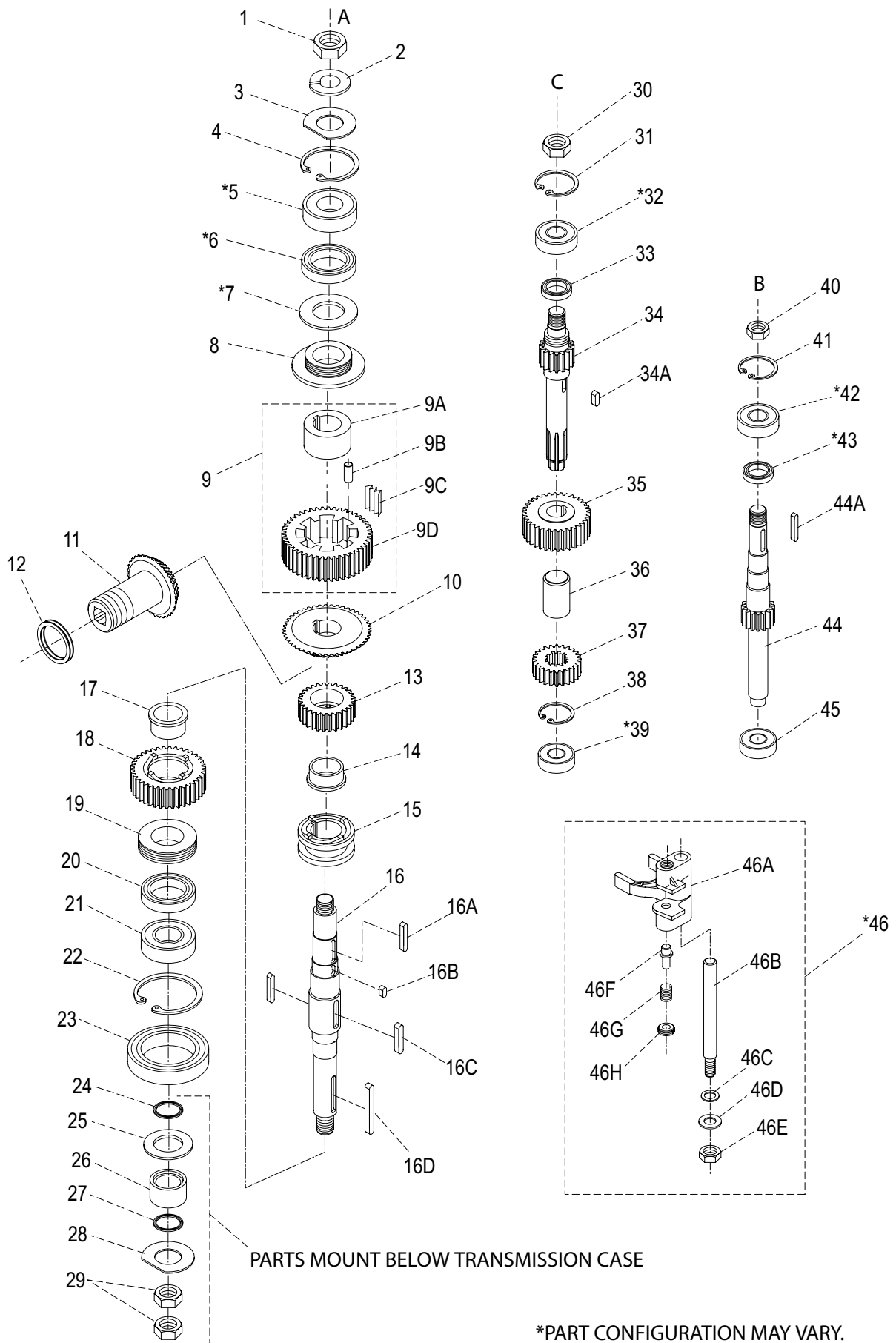
ITEM	DESCRIPTION	PART NUMBER	QTY
1	ATTACHMENT HOLE PLUG	X60016	1
2	ATTACHMENT HUB (INCLUDES X60018 & X60200)	X60017	1
2A	GASKET	X60017-1	1
3	OIL SEAL	X60018	1
4	BEARING	X60201	1
5	THRUST WASHER	X60200	2
6	LEVEL DRIVE GEAR (35T)	X60014	1
7	THUMB SCREW	X60015	1
8	SCREW	X60202	3

# SP60P PLANETARY



ITEM	DESCRIPTION	PART NUMBER	QTY
1	SCREW (OLD STYLE SHAFT)	X60019	1
2	WASHER AND STOP NUT	X60020	1
3	PINION, BEATER (21T)	X60021	1
4	BALL BEARING	X60022	1
5	PLANETARY SHAFT HOLDER	X60023	1
6	BALL BEARING	X60024	1
7	OIL SEAL	X60025	1
8	PLANETARY SHAFT, EXTERNAL THREAD (NEW STYLE)	X60027	1
	PLANETARY SHAFT, INTERNAL THREAD (OLD STYLE)	-	1
9	LEVEL KEY	X60026	1
10	PIN	X60028	1
11	SLIDE SHEATH	X60090	1
12	SAFETY GUARD SPRING LOCK FIXTURE	X60161	1
12A	SCREW	X60185	2
13	MAT	X60091	1
14	RING GEAR (67T)	X60092	1
15	TOUCH MASS	X60098	2
15A	SCREW	X60097	2
16	SCREW	X60099	6
17	FRONT INTERLOCKING GUARD ASSY	X60093-94	1
17A	SCREW	X60100	6

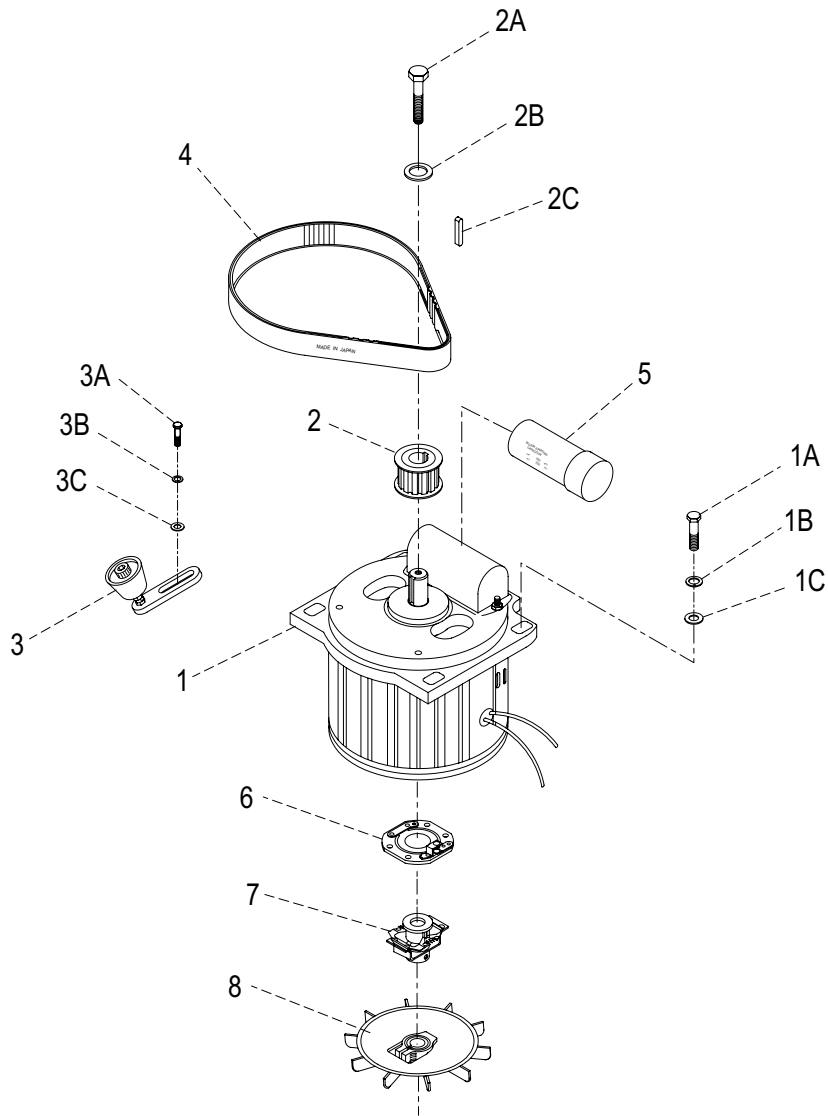
# SP60P GEARBOX



# SP60P GEARBOX

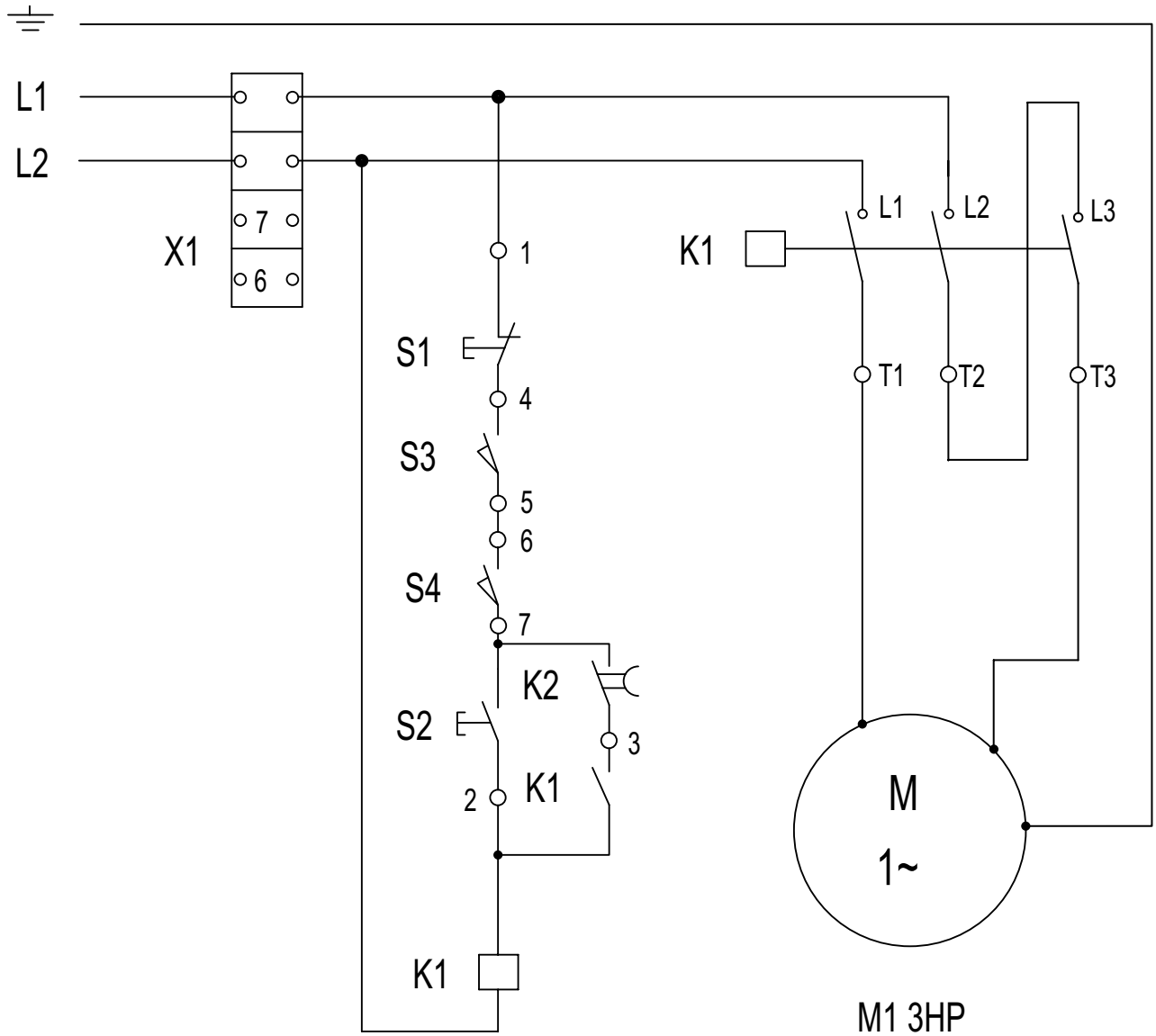
ITEM	DESCRIPTION	PART NUMBER	QTY
1	STOP NUT	X60111	1
2	LOCK WASHER	X60111A	1
3	FLAT WASHER (D SHAPE)	X60111B	1
4	C-RING	X60112	1
*5	BALL BEARING	X60083	1
*6	OIL SEAL	X60212	1
*7	SHIM	X60212A	A/R
8	LEAD-IN OIL PAD	X60113	1
9	SLOW SPEED GEAR ASSEMBLY	X60114-117	1
9A	BUSHING	X60114	1
9B	ROLLER PIN	X60115	1
9C	SLICE SPRING	X60116	1
9D	GEAR, SLOW SPEED (52T)	-	1
10	GEAR, BEVEL (52T)	X60118	1
11	HUB DRIVE GEAR (35T)	X60014	1
12	THRUST WASHER	X60200	1
13	GEAR, CLUTCH (36T) OLD STYLE	X60120	1
	GEAR, CLUTCH (34T) NEW STYLE	X60209	
14	BUSHING, CLUTCH	X60119	1
15	SLEEVE, CLUTCH	X60133	1
16	DRIVE SHAFT	X60130	1
16A	LEVEL KEY	X60121	1
16B	LEVEL KEY	X60217	1
16C	LEVEL KEY	X60132	2
16D	LEVEL KEY	X60131	1
17	BUSHING, CLUTCH	X60119	1
18	GEAR, CLUTCH (45T)	X60122	1
19	HEEL	X60124	1
20	OIL SEAL	X60213	1
21	BALL BEARING	X60125	1
22	C-RING	X60126	1
23	OIL SEAL	X60128	1
24	O-RING	X60216	1
25	SPACER, PLASTIC	X60127A	1
26	GUARD, OIL BUSHING	X60127	1
27	O-RING	X60208	1
28	FLAT WASHER	X60129A	1
29	STOP NUT	X60129	1
30	STOP NUT	X60147	1
31	C-RING	X60151	1
32	BALL BEARING (QTY MAY VARY)	X60079	1
33	OIL SEAL	X60214	1
34	TRANSMISSION SHAFT (13T) OLD STYLE, KEYED	USE X60150-2 & X60143-2	1
	TRANSMISSION SHAFT (13T) NEW STYLE, SPLINED	X60150-2	
34A	LEVEL KEY	X60149	1
35	GEAR (29T) OLD STYLE	X60148	1
	GEAR (31T) NEW STYLE	X60211	
36	BUSHING, SPACER	X60144	1
37	GEAR (20T) OLD STYLE, KEYED	X60143-1	1
	GEAR (20T) NEW STYLE, SPLINED	X60143-2	
38	C-RING	X60141	1
*39	BALL BEARING (QTY MAY VARY)	X60140	1
40	NUT, STOP - OLD STYLE (KEYED) SHAFT	X60082	1
	NUT, STOP - NEW STYLE (SPLINED) SHAFT	X60167	
41	C-RING	X60146	1
*42	BALL BEARING (QTY MAY VARY)	X60078	2
*43	OIL SEAL (OLD STYLE MIXER)	X60214	1
44	SHAFT, MASTER (15T) OLD STYLE	X60145	1
	SHAFT, MASTER (13T) NEW STYLE	X60210	
44A	LEVEL KEY	X60081	1
45	BALL BEARING	X60142	1
46	YOKE SHIFTER ASSEMBLY	X60134-139	1
46A	YOKE, SHIFTER	X60139	1
46B	GUIDE, ROD SHIFTER	X60135	1
46C	LOCK WASHER	X60135A	1
46D	FLAT WASHER	X60135B	1
46E	STOP NUT	X60134	1
46F	PLUNGER, YOKE SHIFTER	X60138	1
46G	SPRING, RETAINER	X60137	1
46H	SPRING, RETAINER	X60136	1

# SP60P MOTOR



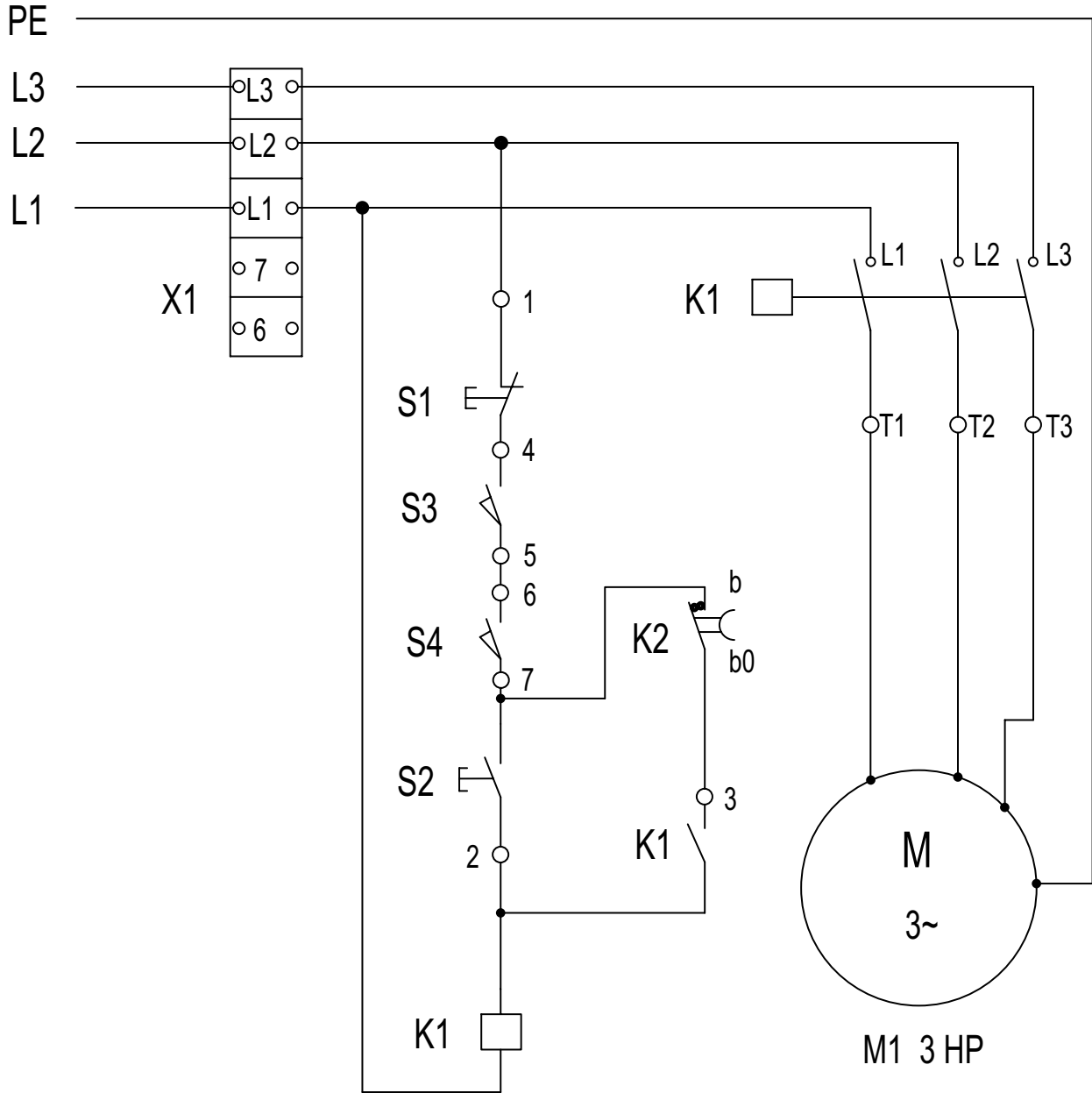
ITEM	DESCRIPTION	PART NUMBER	QTY
1	MOTOR, SP60P 3HP 208/60/3	X60068-1	1
	MOTOR, SP60P 3HP 220/60/1	X60068-2	
1A	SCREW	X60069	4
1B	WASHER, LOCK	X60069A	4
1C	WASHER, FLAT	X60069B	4
2	WHEEL, MOTOR COG (20T)	X60071	1
2A	SCREW	X60075	1
2B	WASHER, FLAT	X60074	2
2C	LEVEL KEY	X60073	1
3	BELT TENSIONER	X60193	1
3A	SCREW	X60196	2
3B	WASHER, LOCK	X60195	2
3C	WASHER, FLAT	X60194	2
4	COGGED BELT (S8M-880) (SHORT)	X60072-1	1
	COGGED BELT (S8M-896) (STD)	X60072-2	1
5	CAPACITOR, START 800Mf	X60070-1	1
	CAPACITOR, RUN 70Mf	X60070-2	1
6	SWITCH, PLATINUM	X60067	1
7	CLUTCH	X60064	1
8	COOLING FAN	X60061	1

# WIRING DIAGRAM SP60P PLANETARY MIXER 220V Single Phase



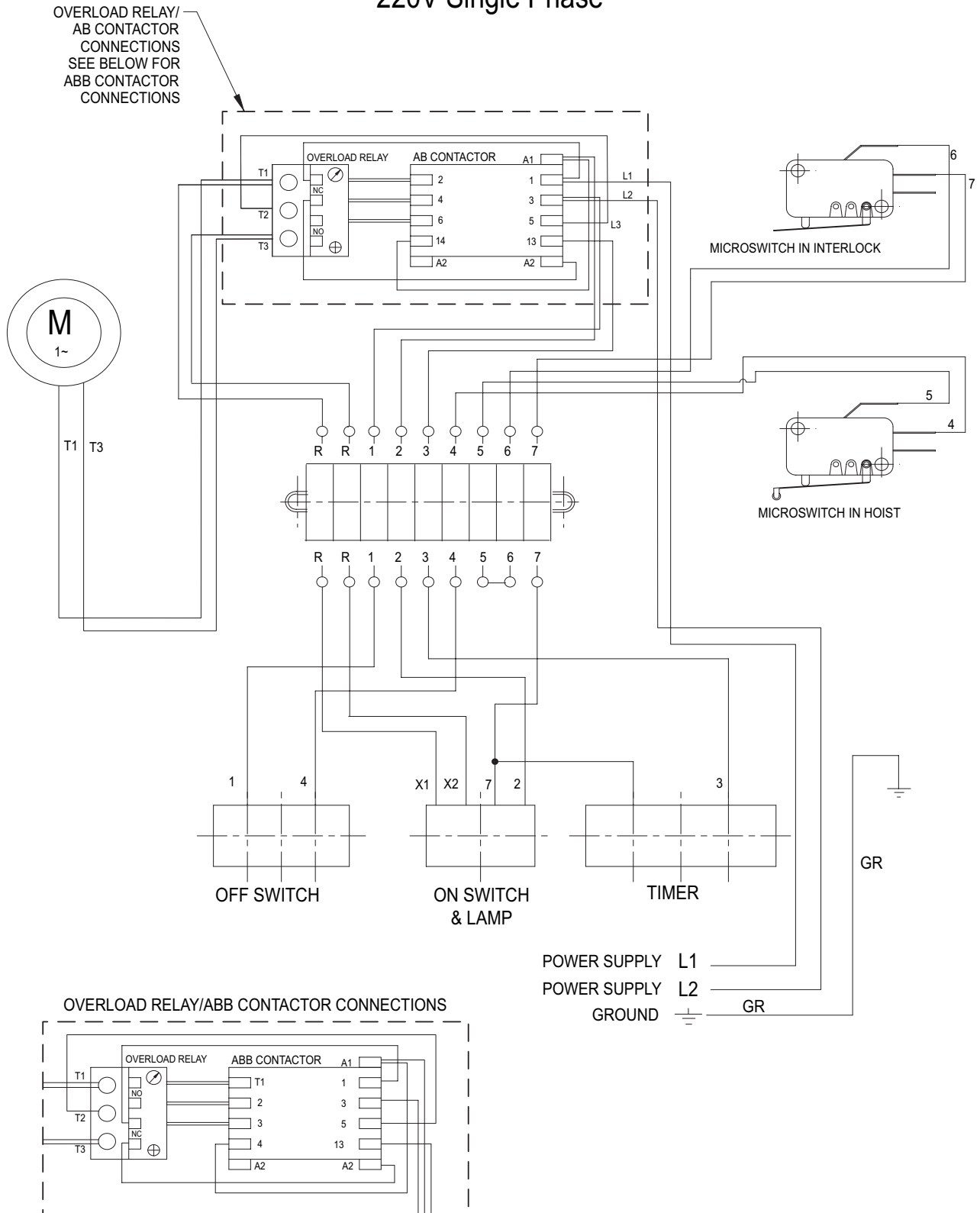
ITEM	DESCRIPTION	QTY
S1	EMERGENCY STOP BUTTON	1
S2	START BUTTON	1
S3	MICROSWITCH (BOWL LIFT)	1
S4	MICROSWITCH (INTERLOCK GUARD)	1
K1	CONTACTOR	1
K2	TIMER	1
M1	MOTOR, 3HP SINGLE PHASE 220V	1

# WIRING DIAGRAM SP60P PLANETARY MIXER 208V Three Phase



ITEM	DESCRIPTION	QTY
S1	EMERGENCY STOP BUTTON	1
S2	START BUTTON	1
S3	MICROSWITCH (BOWL LIFT)	1
S4	MICROSWITCH (INTERLOCK GUARD)	1
K1	CONTACTOR	1
K2	TIMER	1
M1	MOTOR, 3HP THREE PHASE 208V	1

# SCHEMATIC SP60P PLANETARY MIXER 220V Single Phase



# SCHEMATIC SP60P PLANETARY MIXER 208V Three Phase

