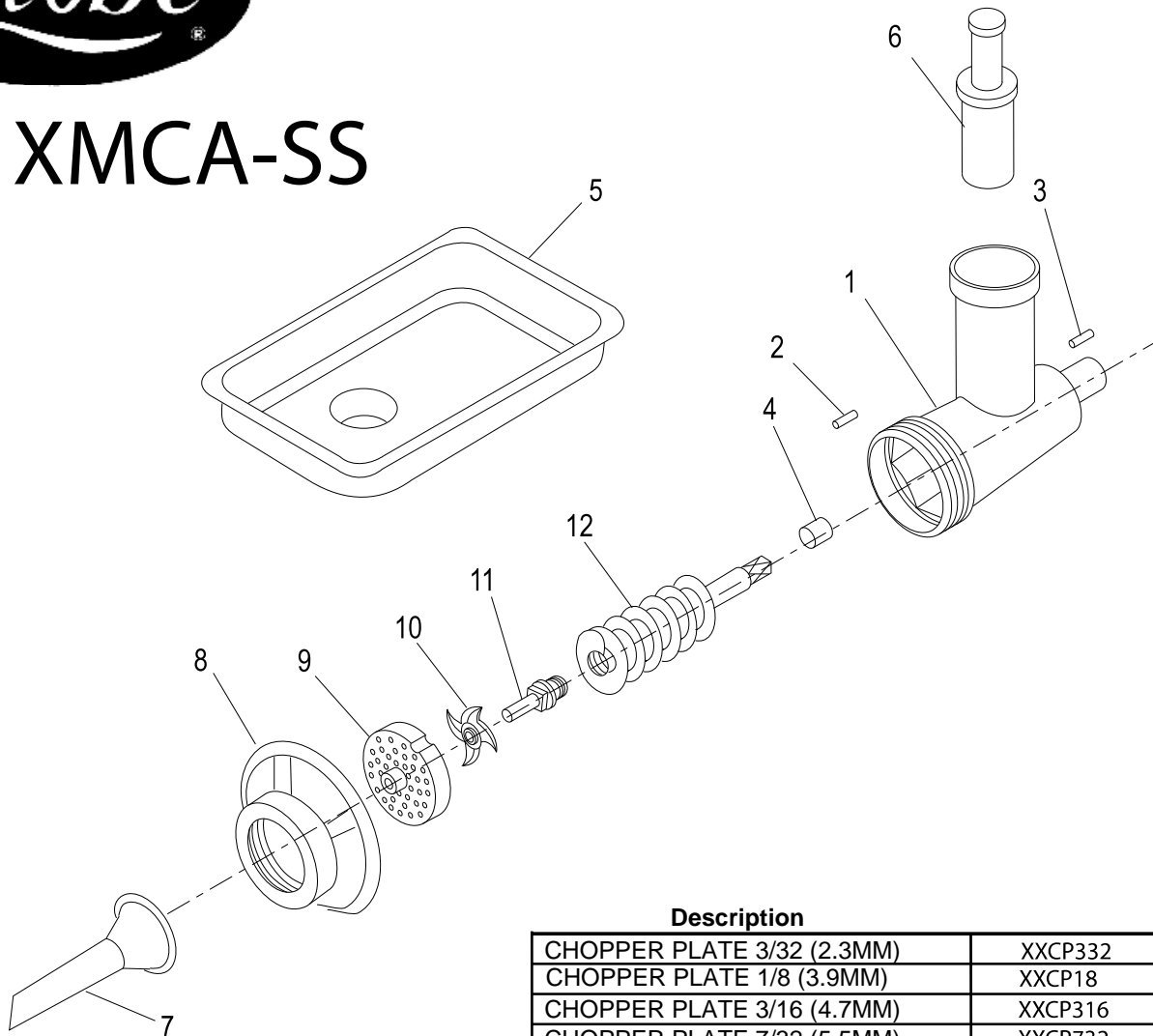




XMCA-SS



Description

CHOPPER PLATE 3/32 (2.3MM)	XXCP332
CHOPPER PLATE 1/8 (3.9MM)	XXCP18
CHOPPER PLATE 3/16 (4.7MM)	XXCP316
CHOPPER PLATE 7/32 (5.5MM)	XXCP732
CHOPPER PLATE 1/4 (6.35MM)	XXCP14
CHOPPER PLATE 5/16 (7.9MM)	XXCP516
CHOPPER PLATE 3/8 (9.6MM)	XXCP38
CHOPPER PLATE 7/16 (11.1MM)	XXCP716
CHOPPER PLATE 1/2 (12.7MM)	XXCP12

Item	Description	Qty	
1	CYLINDER ASSEMBLY	1	XVS1203-05
2	LOCK PIN (included in assembly)	1	XVS1212
3	LOCK SCREW (included in assembly)	1	XVS1203
4	BUSHING (included with assembly)	1	XVS1205
5	TRAY	1	XVS1202
6	PUSHER	1	XVS1201
7	STUFFING TUBE	1	XVS1210
8	PLATE RETAINER	1	XVS1211
9	CHOPPER PLATE	1	SEE ABOVE
10	CHOPPER KNIFE	1	XXCK
11	KNIFE LOCK	1	XVS1207
12	SCREWSHAFT ASSEMBLY	1	XVS1206-7