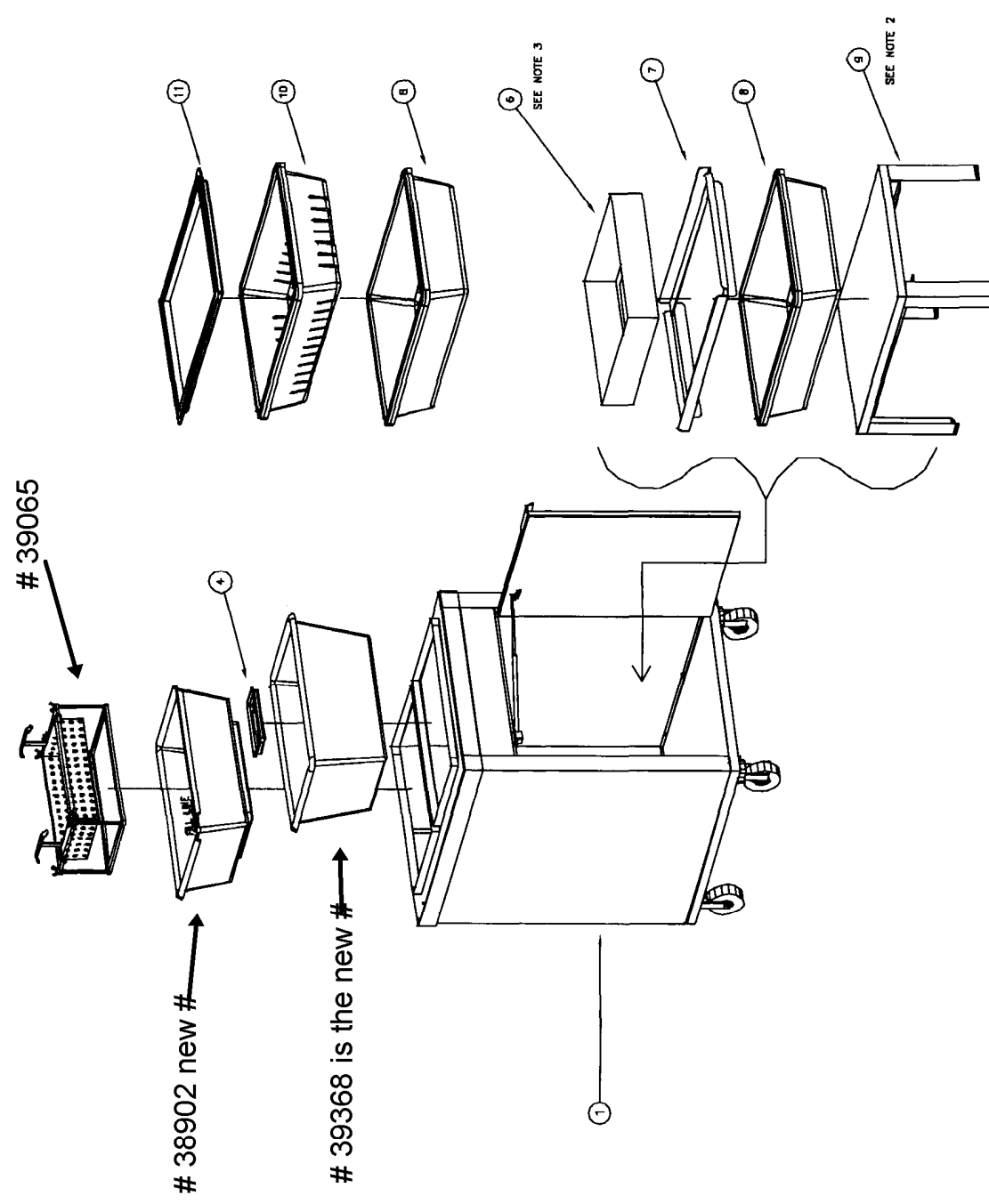


SYM	DESCRIPTION	DATE BY	ECO #
A	RELEASE FOR PRODUCTION	7/01 JSR	EG00337



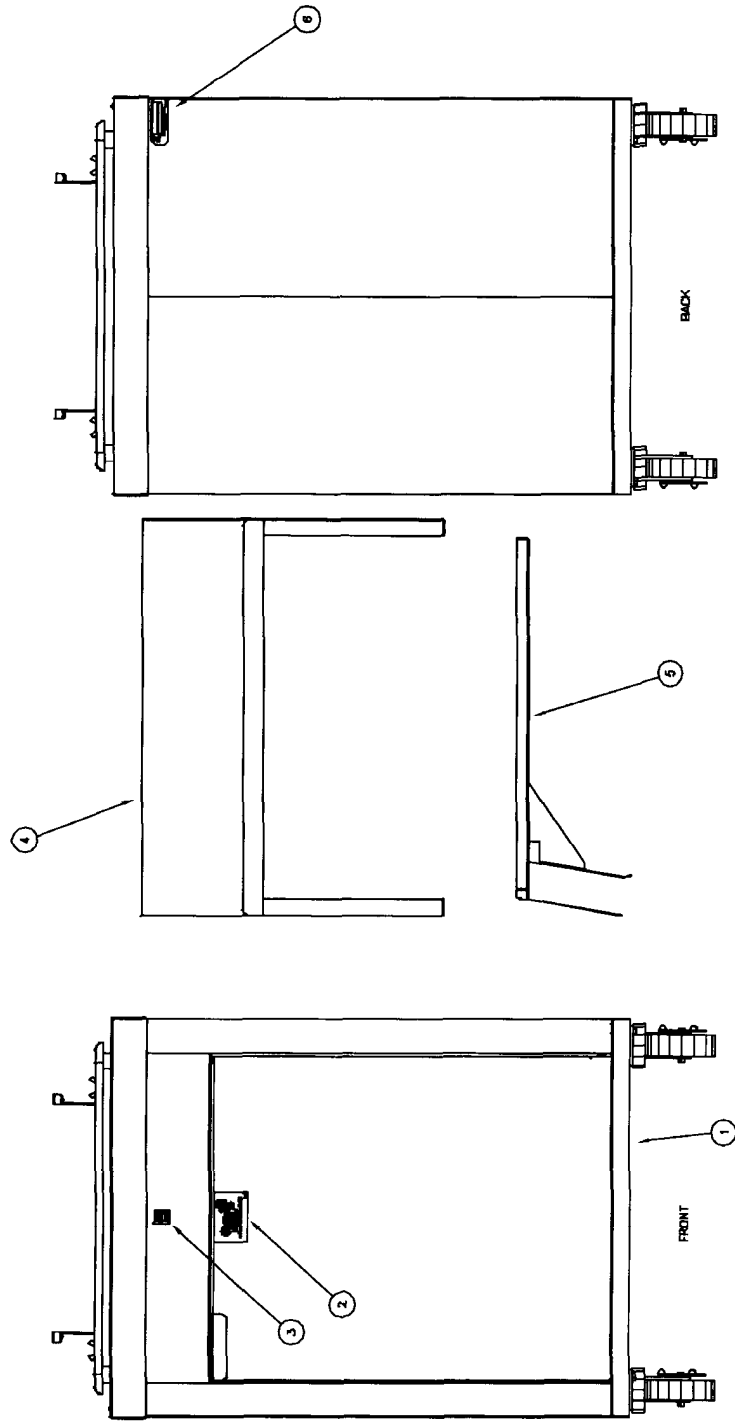
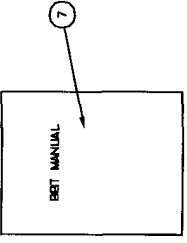
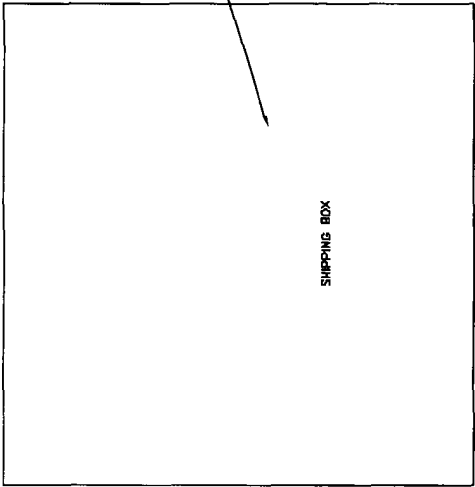
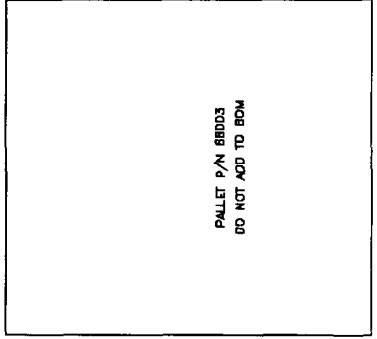
- 1.) LEAVE SIFTER IN THE FORWARD POSITION (TOWARD EDGE) FOR CATCHING THE BREADING FROM PAN 76023.
- 2.) TABLE CAN STORE AN ADDITIONAL BREADING PAN 76023 (ACCESSORY ITEM).

NOTES:
1.) DEBURRING: PARTS TO BE FREE OF ALL BURRS & SHARP EDGES.

ITEM	P/N	QTY	DESCRIPTION
11	74700	1	LID, PLASTIC, 16 X 26"
10	71725	1	DOOR, ALUMINUM, 18 X 26"
9	30258	1	TABLE, WELD ASSY
8	70875	2	PAN, WHITE, PLASTIC, 8"
7	30257	1	SIFTER, WELD ASSY
6	36162	1	SIFTER PAN, WELDMENT
5	76033	1	PAN, DEEP, 8-1/2" PLASTIC
4	76027	1	PLUG, PAN DRAIN, PLASTIC
3	76028	1	PAN, PLASTIC, SHALLOW, 7"
2	36518	1	DUNK BASKET/FINAL ASSY
1	36517	1	CABINET ASSY, STD 1

Gies Enterprises, Inc.		ENTREPRENEUR, ALABAMA	
ESTABLISHED CONTINENTAL DOG/BAKERY			
THE NAME OF THE COMPANY AND THE ADDRESS OF THE MANUFACTURER OF THE PARTS TO BE USED IN THE ASSEMBLY OF THIS PRODUCT MUST BE PRINTED ON EACH PART OF THE PRODUCT. THE PARTS MUST BE IDENTIFIED BY THE MANUFACTURER'S MARKING AND THE PARTS MUST BE IDENTIFIED BY THE MANUFACTURER'S MARKING.			
DATE	BY	DATE	BY
7/1/70	JSR	7/1/70	JSR
CABINET ASSEMBLY, STD 2		BBT-SM	
DATE	BY	DATE	BY
7/1/70	JSR	7/1/70	JSR
DRAWING NO. 36513		REV. C	

SYN	DESCRIPTION	DATE BY	EGD #
A	RELEASE FOR PRODUCTION	7/01	LSR E000337



ITEM	P/N	SIZE	QTY.	DESCRIPTION
6	6D65B	N/D	1	BOX, BET
7	60601	A	1	MANUAL UNIT RIVAL FIELD ASSY
8	62745	B	1	LABEL SERIAL NUMBER
5	33501	C	1	DRAIN SHELF, WELD ASSY
4	30255	C	1	HOLDING SHELF, WELD ASSY
3	63880	B	1	LABELNSF APPROVAL
2	62880	B	1	LABELCHESTER FRID
1	38513	C	1	CABINET ASSY, STG 2

Globe Enterprises, Inc.			
RESTRICTED CONFIDENTIAL DOCUMENT			
THIS DRAWING AND ALL INFORMATION HEREON IS THE PROPERTY OF GLOBE ENTERPRISES, INC. IT IS TO BE KEPT IN STRICTLY CONFIDENTIAL AND NOT TO BE REPRODUCED OR TRANSMITTED IN ANY FORM OR BY ANY MEANS, ELECTRONIC OR MECHANICAL, INCLUDING PHOTOCOPYING, RECORDING, OR BY ANY INFORMATION STORAGE AND RETRIEVAL SYSTEM, WITHOUT THE WRITTEN PERMISSION OF GLOBE ENTERPRISES, INC.			
DATE	BY	CHK	APP
7/01	LSR	E000337	
MATERIALS		BILL OF MATERIALS	
BREAD AND BATTER UNIT, SUPERMARKET		BBT-SM	
SCALE	DATE	REV	ISS
7/11/01			C
DATE	BY	CHK	APP
7/01	LSR	E000337	
DRAWING NUMBER		79208	

1.) DEBURRING: PARTS TO BE FREE OF ALL BURRS & SHARP EDGES.

NOTES:

GILES Giles Enterprises, Inc.
Bill of Material
ENTERPRISES, INC.

Level	Part ID	Qty Per	Fixed Qty	Scrap%	Dim	Service	U/M	Unit Price
0	70756 BBT, SUPERMARKET, METAL PANS							
1	10089 RIVET, POP, 5/16 X 3/8, SS	2.00	0.00	0.000			EA	\$0.50
1	10250 SCREW, 6-32X5/16, TRS HD S	1.00	0.00	0.000			EA	\$0.06
1	10525 NUT, 6-32, HEX, ZN	1.00	0.00	0.000			EA	\$0.02
1	10532 NUT, ACORN, 10-32, S/S	2.00	0.00	0.000			EA	\$0.52
1	10550 WASHER, FLAT, #6, ZN	1.00	0.00	0.000			EA	\$0.02
1	10600 WASHER, LOCK, #6, ZN	1.00	0.00	0.000			EA	\$0.02
1	11550 SCREW, 10-32X1/2, TRIM HE	4.00	0.00	0.000			EA	\$0.18
1	11650 SCREW, 10-32 X 3/4, PN HD S	1.00	0.00	0.000			EA	\$0.09
1	11875 SCREW, 10-16 X 1/2, SELF DRI	8.00	0.00	0.000			EA	\$0.76
1	11925 NUT, 10-32, HEX, ZN	4.00	0.00	0.000			EA	\$0.02
1	12050 WASHER, LOCK, #10, ZN	4.00	0.00	0.000			EA	\$0.02
1	12300 WASHER, FLAT, 1/4	16.00	0.00	0.000			EA	\$0.04
1	12425 SCREW, 1/4-20 X 1/2, HX HD,	16.00	0.00	0.000			EA	\$0.12
1	30250 BASE, WELD ASSY	1.00	0.00	0.000			EA	\$148.55
2	10531 NUT, SPOTWELD, 1/4-20	16.00	0.00	0.000			EA	\$0.26
2	30011-2 HAT SECTION, FLOOR BAS	2.00	0.00	0.000			EA	\$26.40
3	56288 SHEET STEEL, 16-GA, 304 S	175.8495	0.00	33.330			SQIN	\$5.20
2	30250-1 BASE, CAB FLOOR	1.00	0.00	0.000			EA	\$70.25
3	56173 SHEET STEEL, 18-GA, 304 S	838.1346	0.00	33.330			SQIN	\$14.08
1	30251 SHROUD, WELD ASSY	1.00	0.00	0.000			EA	\$211.85
2	11475 SCREW, 10-32X 3/8, TRS HD	4.00	0.00	0.000			EA	\$0.14
2	11925 NUT, 10-32, HEX, ZN	4.00	0.00	0.000			EA	\$0.02
2	12050 WASHER, LOCK, #10, ZN	4.00	0.00	0.000			EA	\$0.02
2	30007-5 BRACE, CORNER, CABINE	2.00	0.00	0.000			EA	\$3.00
3	56077 SHEET STEEL, 20-GA, 304 S	5.645	0.00	33.330			SQIN	\$11.00
2	30251-1 SHROUD, RIGHT, CABINET	1.00	0.00	0.000			EA	\$79.90
3	56077 SHEET STEEL, 20-GA, 304 S	1,442.216	0.00	33.330			SQIN	\$11.00
2	30253 BRACKET, MAGNET	1.00	0.00	0.000			EA	\$10.40
3	56173 SHEET STEEL, 18-GA, 304 S	6.807	0.00	33.330			SQIN	\$14.08
2	30254-7 HEADER, CAB, FRONT	1.00	0.00	0.000			EA	\$20.80
3	56077 SHEET STEEL, 20-GA, 304 S	191.504	0.00	33.330			SQIN	\$11.00
2	36215 SHROUD, LEFT, CABINET, B	1.00	0.00	0.000			EA	\$0.00
3	56077 SHEET STEEL, 20-GA, 304 S	1,442.216	0.00	33.330			SQIN	\$11.00
1	30287 DOOR, WELD ASSY, HINGEL	1.00	0.00	0.000		YES	EA	\$139.72
2	10750 SCREW, 8-32 X 3/8, PN HD S	2.00	0.00	0.000			EA	\$0.04
2	11150 NUT, 8-32, HEX, ZN	2.00	0.00	0.000			EA	\$0.02
2	11275 WASHER, LOCK, #8, ZN	2.00	0.00	0.000			EA	\$0.02
2	11650 SCREW, 10-32 X 3/4, PN HD	1.00	0.00	0.000			EA	\$0.09
2	30145 BRACKET, DOOR STOP	1.00	0.00	0.000			EA	\$6.00
3	56423 SHEET STEEL, 16-GA, 304 S	1.2303	0.00	33.330			SQIN	\$45.20
2	30164 BRACE, DOOR BRACKET	1.00	0.00	0.000			EA	\$8.00
3	56773 SHEET STEEL, 12-GA, CRS	3.00	0.00	33.330			SQIN	\$7.20
2	30276 LINER, DOOR, INSIDE, HINGL	1.00	0.00	0.000			EA	\$27.30
3	58385 SHEET STEEL, 20GA, ALUM	517.20	0.00	33.330			SQIN	\$2.15
2	46731 PIN, HINGLESS DOOR, BOTT	1.00	0.00	0.000		YES	EA	\$16.46
3	58575 BAR, SQUARE, 1/4, CRS	1.665	0.00	5.000			IN	\$0.95
2	30275 LINER, DOOR, OUTSIDE, HIN	1.00	0.00	0.000			EA	\$39.10

GILES Giles Enterprises, Inc.
Bill of Material
ENTERPRISES, INC.

Level	Part ID	Qty Per	Fixed Qty	Scrap%	Dim	Service	U/M	Unit Price
3	56077 SHEET STEEL, 20-GA, 304 S	520.0573	0.00	33.330			SQIN	\$11.00
2	37346 ANGLE, DOOR HANDLE	1.00	0.00	0.000			EA	\$3.65
3	56173 SHEET STEEL, 18-GA, 304 S	9.00	0.00	33.330			SQIN	\$14.08
2	46732 PIN, HINGLESS DOOR, TOP	1.00	0.00	0.000			EA	\$8.00
3	58575 BAR, SQUARE, 1/4, CRS	1.7496	0.00	5.000			IN	\$0.95
1	32814 CAB TOP, WELD ASSY, SUPE	1.00	0.00	0.000			EA	\$120.23
2	36679 TOP, CABINET	1.00	0.00	0.000			EA	\$0.00
3	50001 SHEET STEEL, 18-GA, 430 S	674.184	0.00	33.330			SQIN	\$4.60
2	36680 BRACE, CABINET TOP CORN	4.00	0.00	0.000			EA	\$0.00
3	50001 SHEET STEEL, 18-GA, 430 S	0.766	0.00	33.330			SQIN	\$4.60
2	36750 CHANNEL, CENTER (U), BBT	1.00	0.00	0.000			EA	\$0.00
3	50001 SHEET STEEL, 18-GA, 430 S	52.775	0.00	33.330			SQIN	\$4.60
1	36394 DOOR STOP, WELD ASSY, C	1.00	0.00	0.000		YES	EA	\$28.97
2	11450 SCREW, 10-32 X 3/8, TRIM H	1.00	0.00	0.000			EA	\$0.18
2	40279 TUBING, DOOR STOP, ALUM.	1.00	0.00	0.000			EA	\$0.00
2	36392 DOOR STOP, 7.688 X 0250, R	1.00	0.00	0.000			EA	\$0.00
3	57878 BAR, ROUND, 1/4, S/S, 303	7.688	0.00	5.000			IN	\$0.00
2	36393 COLLAR, DOOR STOP	1.00	0.00	0.000			EA	\$0.00
3	57973 BAR, ROUND, 3/8, S/S, 303	0.375	0.00	5.000			IN	\$6.75
1	40650 CASTER, RIGID, 5 IN, PLATE	2.00	0.00	0.000		YES	EA	\$11.40
1	40700 CASTER, SWIVEL, 5 IN, W/SIDE	2.00	0.00	0.000		YES	EA	\$20.66
1	40850 CATCH, MAGNETIC, DOOR, C	1.00	0.00	0.000		YES	EA	\$8.23
1	12600 NUT, WING, 1/4-20, SS	4.00	0.00	0.000		YES	EA	\$0.72
1	30255 HOLDING SHELF, WELD ASS	1.00	0.00	0.000		YES	EA	\$329.28
2	30255-1 SHELF, HOLDING SHELF	1.00	0.00	0.000			EA	\$70.00
3	56173 SHEET STEEL, 18-GA, 304 S	346.512	0.00	33.330			SQIN	\$14.08
2	30255-2 SIDE, HOLDING SHELF, LE	1.00	0.00	0.000			EA	\$23.95
3	56173 SHEET STEEL, 18-GA, 304 S	201.875	0.00	33.330			SQIN	\$14.08
2	30255-3 SIDE, HOLDING SHELF, RI	1.00	0.00	0.000			EA	\$24.20
3	56173 SHEET STEEL, 18-GA, 304 S	201.875	0.00	33.330			SQIN	\$14.08
2	38794 BACKSPLASH, HOLDING SH	1.00	0.00	0.000		NO	EA	\$0.00
3	56173 SHEET STEEL, 18-GA, 304 S	118.426	0.00	33.330			SQIN	\$14.08
1	30257 SIFTER RACK, WELD ASSY, B	1.00	0.00	0.000		YES	EA	\$82.32
2	30257-2 CHANNEL, ZEE, SIFTER RA	2.00	0.00	0.000			EA	\$4.00
3	56173 SHEET STEEL, 18-GA, 304 S	53.289	0.00	33.330			SQIN	\$14.08
2	30257-1 ANGLE, SIFTER RACK	2.00	0.00	0.000			EA	\$6.00
3	56173 SHEET STEEL, 18-GA, 304 S	78.189	0.00	33.330			SQIN	\$14.08
1	30258 TABLE, WELD ASSY	1.00	0.00	0.000		YES	EA	\$120.19
2	30258-1 LEG, TABLE	4.00	0.00	0.000			EA	\$10.50
3	56173 SHEET STEEL, 18-GA, 304 S	44.00	0.00	33.330			SQIN	\$14.08
2	30258-2 TOP, TABLE	1.00	0.00	0.000			EA	\$26.95
3	56173 SHEET STEEL, 18-GA, 304 S	562.691	0.00	33.330			SQIN	\$14.08
2	30258-3 ANGLE, TABLE, PAN SUPP	2.00	0.00	0.000			EA	\$11.55
3	56173 SHEET STEEL, 18-GA, 304 S	129.029	0.00	33.330			SQIN	\$14.08
1	33501 DRAIN BOARD, WELD ASSY,	1.00	0.00	0.000		YES	EA	\$98.31
2	33596 BOARD, DRAIN, PLASTIC PA	1.00	0.00	0.000			EA	\$34.62
3	56173 SHEET STEEL, 18-GA, 304 S	430.8125	0.00	33.330			SQIN	\$14.08
2	33493 BRACKET, DRAIN BOARD, PL	1.00	0.00	0.000			EA	\$6.40

GILES Giles Enterprises, Inc.
Bill of Material
ENTERPRISES, INC.

Level	Part ID	Qty Per	Fixed Qty	Scrap%	Dim	Service	U/M	Unit Price
3	56173 SHEET STEEL, 18-GA, 304 S	85.00	0.00	33.330			SQIN	\$14.08
2	30256-3 BRACKET, DRAIN BOARD,	1.00	0.00	0.000			EA	\$2.22
3	56173 SHEET STEEL, 18-GA, 304 S	22.4271	0.00	33.330			SQIN	\$14.08
2	30256-4 BRACKET, DRAIN BOARD,	1.00	0.00	0.000			EA	\$3.63
3	56173 SHEET STEEL, 18-GA, 304 S	22.4271	0.00	33.330			SQIN	\$14.08
1	36182 SIFTER PAN, WELDMENT	1.00	0.00	0.000		YES	EA	\$133.77
2	30261 PAN, SIFTER, BBT	1.00	0.00	0.000			EA	\$78.60
3	59573 BLANK, S/S, 3042B, PERF,SI	1.00	0.00	0.000			EA	\$68.00
1	38902 PAN, BATTER DIP, S/S, W/EM	1.00	0.00	0.000		YES	EA	\$77.49
2	76025 PAN, FULL, 6-IN, SS, BBT	1.00	0.00	0.000			EA	\$122.57
1	39060 FRAME, LOWER, DUNK BASK	1.00	0.00	0.000		NO	EA	\$0.00
2	30260-11 BASE STEM, DUNK BASK	4.00	0.00	0.000			EA	\$7.00
3	57927 BAR, ROUND, 5/16, S/S, 303	6.375	0.00	5.000			IN	\$7.39
2	39058 BAR, DUNK BASKET BOTTO	2.00	0.00	0.000		NO	EA	\$0.00
3	57173 BAR, FLAT, 1/4 X 3/4, 304-SS	9.938	0.00	5.000			IN	\$30.00
2	39059 BAR, DUNK BASKET BOTTO	2.00	0.00	0.000		NO	EA	\$0.00
3	57173 BAR, FLAT, 1/4 X 3/4, 304-SS	15.125	0.00	5.000			IN	\$30.00
1	39061 DUNK BASKET/TOP FRAME,	1.00	0.00	0.000		YES	EA	\$150.00
2	30263-1 BASKET, DUNKING BASKE	1.00	0.00	0.000			EA	\$51.30
3	59678 BLANK, S/S, 3042B (SEE 302	1.00	0.00	0.000			EA	\$50.00
2	39062 BAR, DUNK BASKET TOP FR	2.00	0.00	0.000		NO	EA	\$0.00
3	57173 BAR, FLAT, 1/4 X 3/4, 304-SS	11.063	0.00	5.000			IN	\$30.00
2	39063 BAR, HINGE, UPPER FRAME	1.00	0.00	0.000		NO	EA	\$0.00
3	57973 BAR, ROUND, 3/8, S/S, 303	15.125	0.00	5.000			IN	\$6.75
2	39064 BAR, TOP FRAME, DUNK BA	1.00	0.00	0.000		NO	EA	\$0.00
3	57927 BAR, ROUND, 5/16, S/S, 303	15.125	0.00	5.750			IN	\$7.39
2	39066 HINGE, DUNKING BASKET	2.00	0.00	0.000		NO	EA	\$0.00
2	30260-2 HANDLE, DUNKING BASKE	2.00	0.00	0.000			EA	\$3.00
3	57127 BAR, FLAT, 1/8 X 5/8, S/S, T3	5.75	0.00	5.000			IN	\$2.56
2	30260-3 BAR, FLAT, DUNKING BAS	2.00	0.00	0.000			EA	\$2.50
3	57127 BAR, FLAT, 1/8 X 5/8, S/S, T3	2.50	0.00	5.000			IN	\$2.56
2	30263-2 BASKET STOP, DUNKING B	2.00	0.00	0.000			EA	\$4.00
3	57127 BAR, FLAT, 1/8 X 5/8, S/S, T3	2.25	0.00	5.000			IN	\$2.56
1	39368 PAN, BREADING, S/S, W/HOL	1.00	0.00	0.000		YES	EA	\$239.28
2	40761 PAN, 8-IN DEEP, 3 X 7 HOLE,	1.00	0.00	0.000			EA	\$239.28
1	45051 SPRING, DUNK BASKET	4.00	0.00	0.000		YES	EA	\$3.46
1	60601 MANUAL, UNIT, FINAL FIELD	1.00	0.00	0.000		YES	EA	\$0.00
1	60658 BOX, SHIPPING, BBT	1.00	0.00	0.000			EA	\$21.52
1	60659 BOX, LID, SHIPPING, BBT	1.00	0.00	0.000			EA	\$18.60
1	62745 LABEL, SERIAL NO., BBT, LT-	1.00	0.00	0.000			EA	\$2.81
1	63680 LABEL, NSF	1.00	0.00	0.000			EA	\$1.00
1	65613 LABEL, GILES FOOD SERVIC	1.00	0.00	0.000			EA	\$13.32
1	70875 PAN, FOOD, WHITE, 6 IN, PLA	2.00	0.00	0.000		YES	EA	\$55.57
1	71725 COLANDER, 3303	1.00	0.00	0.000		YES	EA	\$83.76
1	74700 LID, PLASTIC, 18 X 26	1.00	0.00	0.000		YES	EA	\$32.93
1	76027 PLUG, PAN DRAIN, PLASTIC,	1.00	0.00	0.000		YES	EA	\$18.48