



MCO GS/GD MODELS
FROM SERIAL # 0709100242026 ... TO PRESENT

PARTS LIST

Toll Free Phone, (US & Canada): (800) 427-6668

Toll Free Fax, (US & Canada): (800) 361-7745

<http://www.garland-group.com>

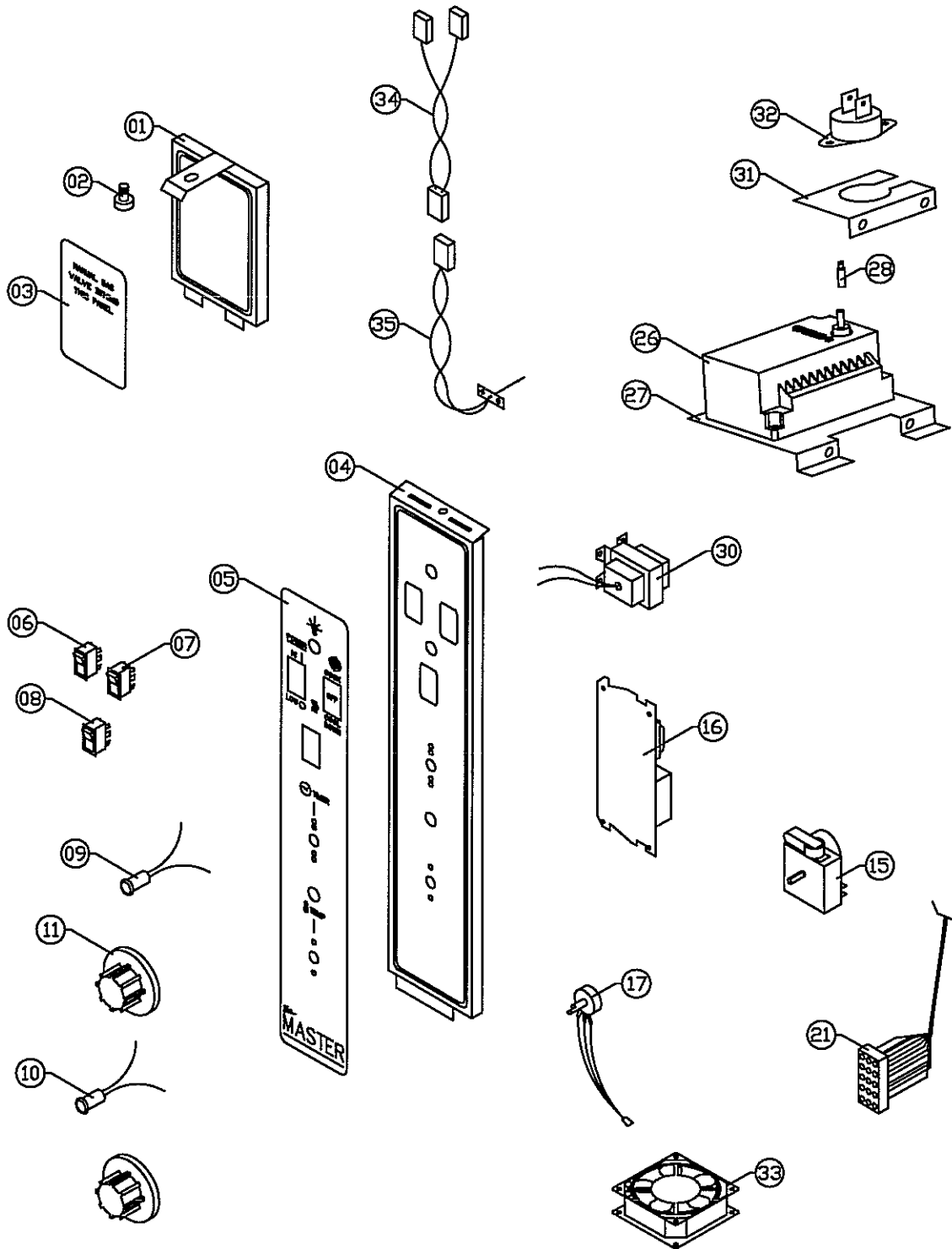


MCO GS/GD MODELS

FROM SERIAL # 0709100242026 ... TO PRESENT

Contents:

Master IM200 Mechanical Control Panel (Solid State Controller with Electro Mechanical Timer).....	Page 4
IM 450 & IM455 Digital Control Panels	Page 6
Burner Package MCO-GS/GD.....	Page 8
Door Assembly	Page 10
Oven Components	Page 14
Exterior Components.....	Page 16
Available Kits & Wiring Diagrams	Page 18
Revision History	Page 19



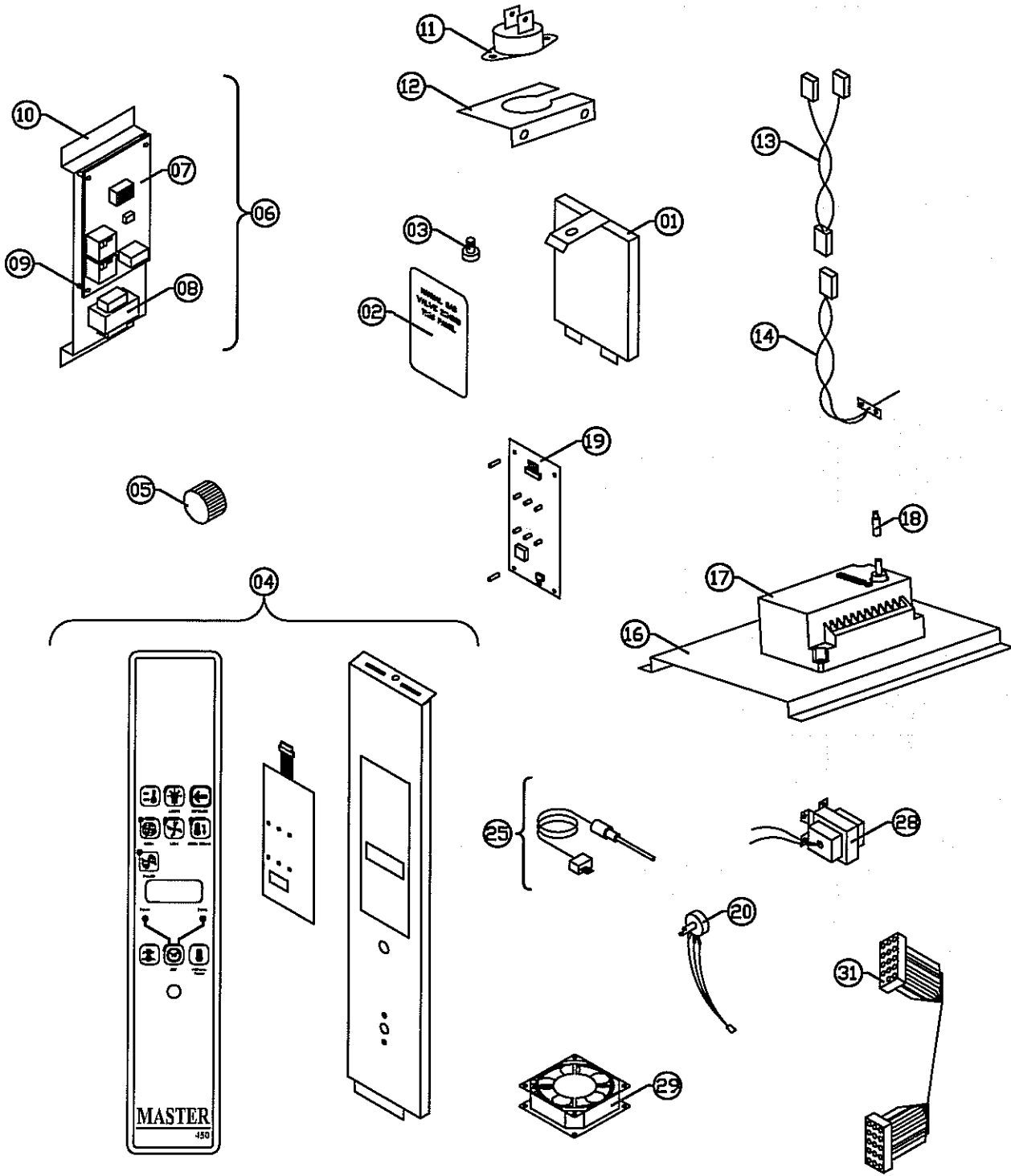
IM200 Manual Control Panel

GARLAND PARTS IDENTIFICATION
IM200 Mechanical Control Panel

ITEM	PART #	DESCRIPTION	QUANTITY	CRITICAL
1	1918501	Cover - Upper Control Panel, SS	1	
2	GF297	Slotted Thumb Screw 10-24 1/2"	1	
3	1789605	Overlay Top Control Panel Gas	1	
4	1946690	Control Panel Mechanical	1	
5	1908526	Overlay - Model 200 Manual Control	1	
6	1955402	Rocker Switch 2 Pos Hi/Low (On-On)	1	
7	1955401	Rocker Switch 3 Position On/Off/On	1	C
8	1955403	Momentary Rocker Switch	1	
9	1936101	Indicator Lamp Green 120V	1	
	1936102	Indicator Lamp Green 250V	1	
10	1936103	Indicator Lamp Amber 28V	1	
	1936104	Indicator Lamp Amber 250V	1	
11	1765802	Fluted Knob W/2 Set Screws - S431941	2	
15	1956001	Timer 1Hr. 115V 50/60Hz w/Alarm	1	C
	1956002	Electro-Mechanical 1 Hr. Timer 240V 50/60Hz	1	C
16	1955501	PCB Solid State Con troller 150-500	1	C
17	1955601	Potentiometer	1	C
18*	1955701	Standoff	2	
19*	1955801	Nylon Washer	2	
20*	8001502	Nut W/L'Washer 6-32 Kep	2	
21	1949599	Wire Harness - W/H-1 15V 60HZ Gas	1	
22*	1949511	Wiring Diagram - 115V 60Hz Gas - Mech	1	
23*	1949576	Wire Harness - Mechanical Control Panel	1	
24*	1949579	Wire Harness - Lights	1	
25*	1936095	Wire Harness - Ignition Module (IPI/DSI)	1	
26	4521585	Ignition Module, DSI G760BAD-1	1	C
27	4522605	Bracket DSI Ignition Module (Beckett)	1	
28	1666300	1/4 Spade To Rajh Type Adaptor	1	
30	1269899	Transformer - Class 2 - 120V to 24V (w/Insulated Slipon Terminal)	1	C
	1636000	Tranformer - Primary 208/240V - Secondary 24V	1	C
31	4519862	Bracket Wireway Hi Limit	1	
32	1955101	Switch - Thermal Disc, Cooling	1	C
33	1671100	Polar Fan 115V	1	C
	Note: For Fan Installation Refer to Service Bulletin B-97-2009-S			
34	1906003	Cable Assembly - Probe Extension	1	
35	1906002	Probe - RTD, Flange Mount	1	C
36*	1918001	Air Duct - Standard	1	
37*	1918002	Air Duct - Deep	1	
38*	4519264	Cover, Air Duct - Standard	1	
39*	4519265	Cover, Air Duct - Deep	1	

* NOT ILLUSTRATED

RECOMMENDED STOCK PARTS



Digital Control Panel

GARLAND PARTS IDENTIFICATION
IM450, IM455 Digital Control Panels

ITEM	PART #	DESCRIPTION	QUANTITY	CRITICAL
1	1918501	Cover - Upper Control Panel, SS	1	
2	1789605	Overlay Top Control Panel Gas	1	
3	GF297	Slotted Thumb Screw 10-24 1/2"	1	
4	1952898	Replacement Panel - 450	1	
	1952897	Replacement Panel - 455	1	
5	1720502	Fluted Knob	1	
6	1917099	Relay Board Assy 120V	1	C
	1917098	Relay Board Assy 208-240V	1	C
7	1916901	Relay Board PCB Assy	1	C
8	1917199	Transformer 120V to 24VAC	1	C
	1917198	Transformer 208-240V to 24VAC	1	C
9	1767901	Teflon Spacers	4	
10	1916801	Relay Board Assy Bracket	1	
11	1955101	Switch - Thermal Disc, Cooling		C
12	4519862	Bracket Wireway Hi Limit	1	
13	1906003	Probe Interconnect Harness (use only w/1 906002)	1	C
14	1906002	Flange Mount Oven Probe (Use only w/1906003)	1	C
15*	1916301	Cover - Probe Connector	1	
16	4522605	Bracket DSI Ignition Module (Beckett)		
17	4521585	Ignition Module, DSI G760BAD-1	1	C
18	1666300	1/4 Spade To Rajh Type Adaptor	1	
19	1905703	450 Digital Control w/Cook-N-Hold	1	C
	1905704	455 Digital Control w/Core Probe	1	C
20	1911601	Potentiometer - Encoder	1	C
25	1906004	Core Probe (Meat Probe)	1	
27*	1946701	Core Probe Bracket	1	
28	1269899	Transformer - Class 2 - 120V to 24V (w/Insulated Slip on Terminal)	1	C
	1636000	Transformer - 24V / 240V	1	C
29	1671100	Polar Fan 115V	1	C
	1671101	Cooling Fan 208 / 240 V	1	C
	Note: For Fan Installation Refer to Service Bulletin B-97-2009-S			
30*	1911301	Relay Bracket Slide	3	
31	1949599	Wire Harness - W/H-115V 60HZ Gas	1	
	1949598	Wire Harness - 208/240V 60HZ Gas	1	
	1949578	Wire Harness Fast Relay Board	1	
	1949596	Main Wire Harness for Arby's	1	
	1905901	Harness - Control to Relay Board	1	
	1905902	Wire Harness Core Probe	1	
32*	1949501	Wiring Diagram 115V 60Hz Gas Fast Control	1	

* NOT ILLUSTRATED

RECOMMENDED STOCK PARTS

GARLAND PARTS IDENTIFICATION

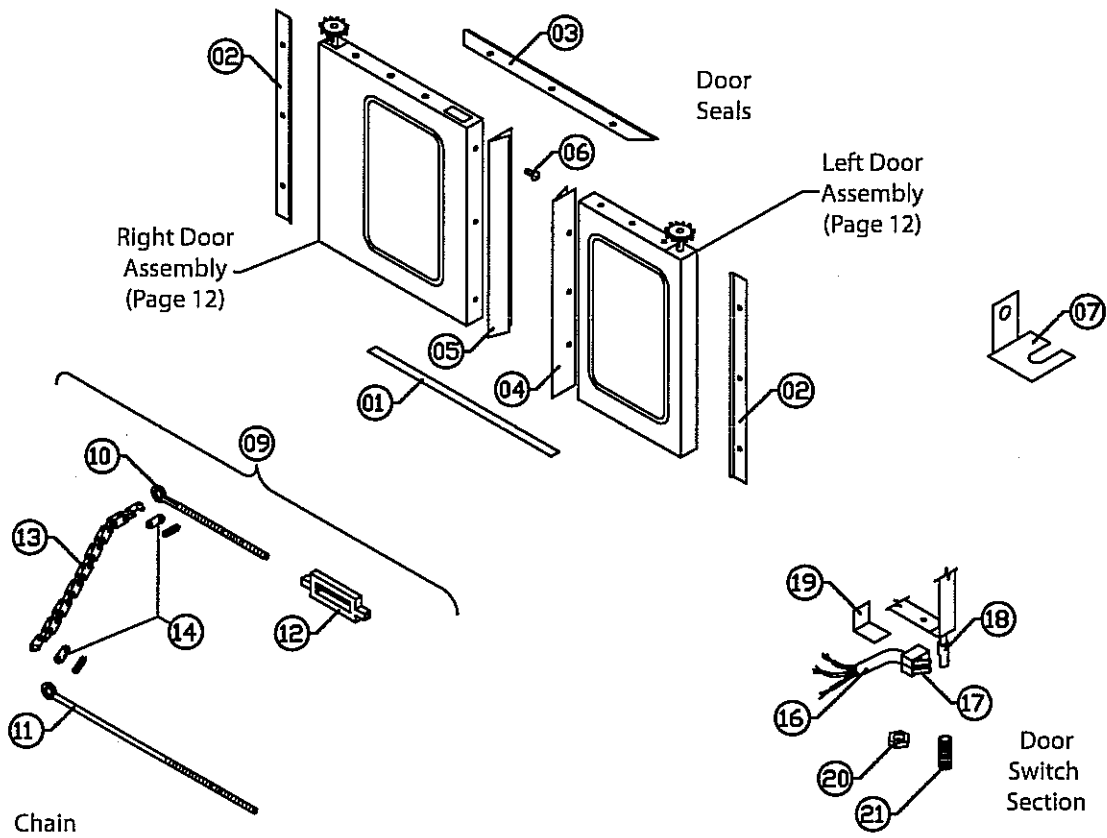
Burner Package MCO-GS/GD

ITEM	PART #	DESCRIPTION	QUANTITY	CRITICAL
1	1095499	Straight Connector Assembly - 3/8 x 7/16 CC (Includes Nut & Ferrule)	2	
2	1811101	Coupling 1/4CC x 1/4CC	1	
3	1916101	Manifold Pipe	1	
4	4521462	Burner Pack, DSI MCO 60K Natural	1	
	4521468	Burner Pack, DSI MCO 80K Natural Converted		
	4521464	Burner Pack, DSI MCO 60K Propane Converted	1	
5	4521466-03	Orifice, DSI MCO 80K Natural #47	4	
	4521466-01	Orifice, DSI MCO 60K Propane #56	4	
6	4523414	Ignitor - DSI Burner Pack	1	C
7	4523415	Flame Sensor - DSI Burner Pack	1	C
8	4521585	Ignition Module, DSI G760BAD-1	1	C
9	4522605	Bracket DSI Ignition Module (Beckett)	1	
10	1666300	1/4 Spade To Rajh Type Adaptor	1	
11	02251-1	Pressure Test Spigot	1	
15	1004849	Bell Reducer - 3/4 to 1/2 NPT	1	
16	1916199	Tailpipe - Std	1	
	1916198	Tailpipe - Deep	1	
17	1026903	Union - 1/2" NPT	1	
18	1004640	Close Nipple - 1/2" NPT x 1" Long	1	
19	1026733	90 Degree Street Elbow, 1/2" NPT	1	
20	1918999	Gas Valve Bracket	1	
22	1935701	Valve Gas, Nat. Dual W/Shut 4"		C
	1935702	Valve Gas, Pro Dual W/Shut 10"		C
23	1038401	Hex Seal Bushing 1/2 x 3/8 NPT	1	
24	1934308	Tubing - Gas Valve to Manifold	1	
25	1949202	Tubing - Valve to Pilot	1	
26*	1936095	Wiring Harness - IPI Ignition	1	

* NOT ILLUSTRATED

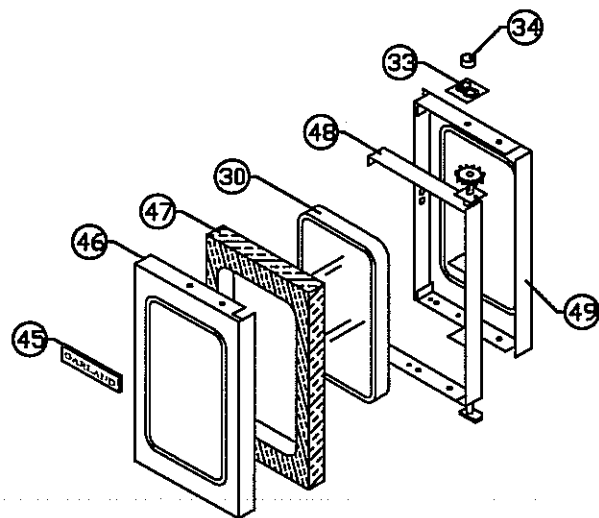
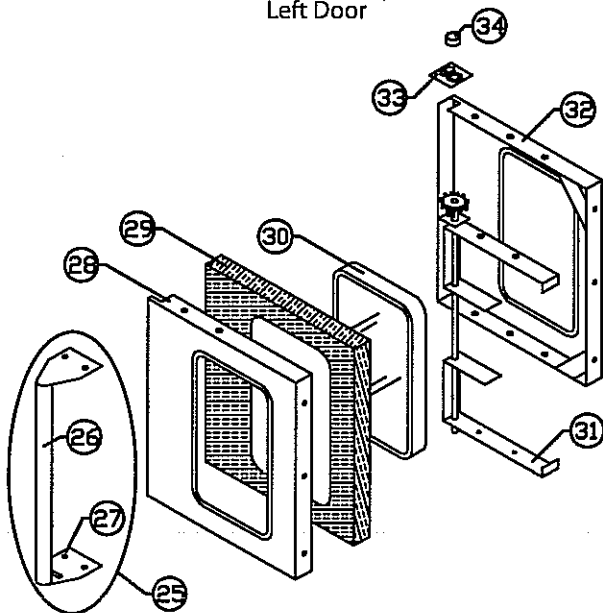
RECOMMENDED STOCK PARTS

Complete Door Assembly Part Number Available on Page 12



Left Door

Right Door



Door Assemblies Gas

GARLAND PARTS IDENTIFICATION

Door Assemblies

ITEM	PART #	DESCRIPTION	QUANTITY	CRITICAL
1	1924712	Seal - Door, Bottom	1	
2	1924601	Seal - Door, Left & Right	2	
3	1924711	Seal - Door Top	1	
4	1924411	Center - Right Door Seal	1	
5	1924412	Center - Left Door Seal	1	
6	8003123	Mscr - TH - Phil 10-24 x 5/8" Stl 2P	6	
7	1925013	Bracket - Door Stop L/H	1	
	4519740	Bracket - Door Stop R/H		
9	4520166	Door Chain Assembly Include items 10, 11, 12, 13, 14	2	C
10**	1014201	Connecting Door Rod - Short (Not sold separately)	2	
11**	1014200	Connecting Door Rod - Long (Not sold separately)	2	
12	1015000	Turnbuckle 1/4-20 w/4" Take Up	2	
13	1021100	Roller Chain #40	2	
14	1021299	Connecting Link #40	4	
16	1804727	Harness - Door Micro Switch	1	
	1949575	Wire Harness - Door Switches - Mechanical Units IM 200 Only	1	
	1949574	Door Switch Wire Harness for Arby's Electric Arbys Only	1	C
17	1855603	High Temp Micro Switch	2	C
	4519715	Micro Switch Hi Temp - Hi Current 200 Series Control Only	2	C
18	1925101	Cam - Door Switch	1	
19	1925001	Bracket Door Switch Right	1	
20	8003802	Set Screw 10x24x3/8"	2	
21	8001203	Nut Hex Stl 8-32	2	
22*	8001502	Nut w/Washer 6-32 ksp	2	
23*	8003208	MSCR-PH-6 32x32 ST 2P	2	
LEFT DOOR COMPONENTS				
25	1924396	Door Handle - Black	1	
26	1924195	Tube Door	1	
27	1924206	Plate - Door Handle	2	
28	1924001	Panel - Left Door Solid	1	
	1924002	Panel - Left Door Window	1	
	1924007	Panel - Left Door Solid (Prison)	1	
	1924011	Panel - Left Door Window (Prison)	1	
29	1915914	Insulation - Left Door, W/Window	1	1
	1915915	Insulation - Left Door, Solid	1	1
30	1010999	Oven Door Window (3/16" Glass)	1 per door	
31	4520373	Weld Assembly Frame Left Door Extended Bearing Plate	1	
32	1923997	Panel - Left Door Liner Window Used in Prison Door Assembly Also	1	1
	1923996	Panel - Left Door Liner Solid Used in Prison Door Assembly Also	1	1
33	4520301	B/A Plate - Door Bushing Extended	2	
34	1923201	Spacer - Door Hinge	2	

* NOT ILLUSTRATED

RECOMMENDED STOCK PARTS

GARLAND PARTS IDENTIFICATION

Door Assemblies

ITEM	PART #	DESCRIPTION	QUANTITY	CRITICAL
RIGHT DOOR COMPONENTS				
45	3077100	7-5/8" GARLAND Nameplate Mounted on the R/H Door		
46	1924003	Panel - Right Door Solid		
	1924008	Panel - Right Door Solid (Prison)		
	1924004	Panel - Right Door Window		
47	1915916	Insulation Right Door, W/Window	1	
	1915917	Insulation - Right Door, Solid	1	
48	4520374	Weld Assembly Frame Right Door Extended Bearing Plate	1	
49	1923998	Panel - Right Door Liner Solid Used in Prison Door Assembly Also		
	1923999	Panel - Right Door Liner Window		
52*	1925099	Bracket W/A - Door Hasp (Prison)		
53*	1925009	Plate - Door Hasp Back (Prison)		
54*	8003603	Carriage Bolt 3/8-16 X 3/4	3	
55*	1019800	Self Threading Pal Nut		
56*	8001210	Nut Hex 3/8-16 Stl 2P	3	
57*	8000308	Washer - Flat 3/8x3/4 Stl 2P	3	

* NOT ILLUSTRATED

RECOMMENDED STOCK PARTS

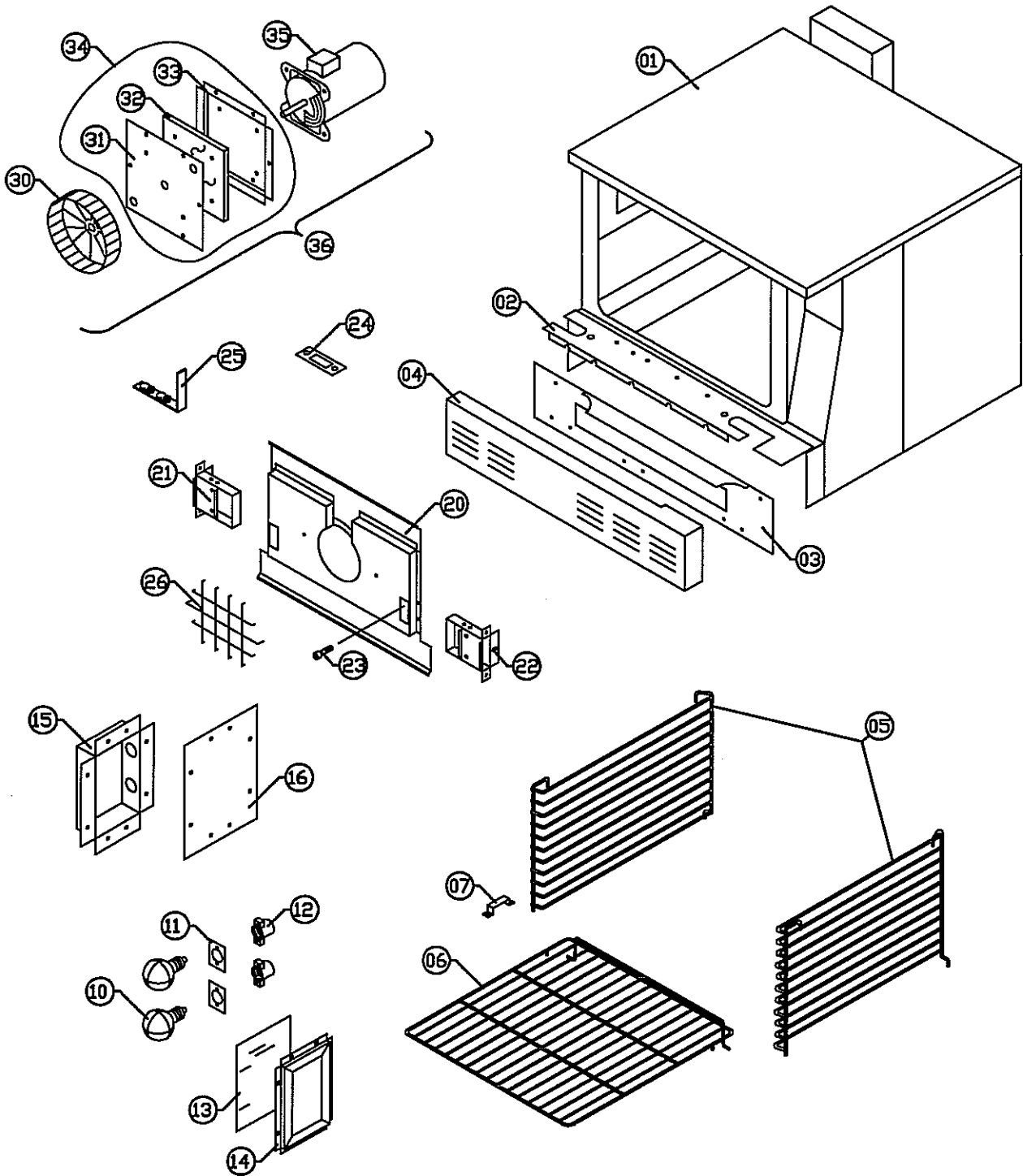
GARLAND PARTS IDENTIFICATION

Complete Door Assemblies

Model	Door Assembly Left W/Window	Door Assembly Left Door Solid	Door Assembly Right W/Window	Door Assembly Right Door Solid
MCO-GS-1 0 Dependent Doors (Ext. Bearing Plate) (Also Used for Olive Garden Models)	4520311	4520313	4520312	4520314

Model	Prison Door Left w/Window	Prison Door Left Door Solid	Prison Door Right w/Window	Prison Door Right Door
MCO-GS-1 0 Dependent Doors (Ext. Bearing Plate)	4520317	4520315	NA	4520316

NOTES



Oven Components

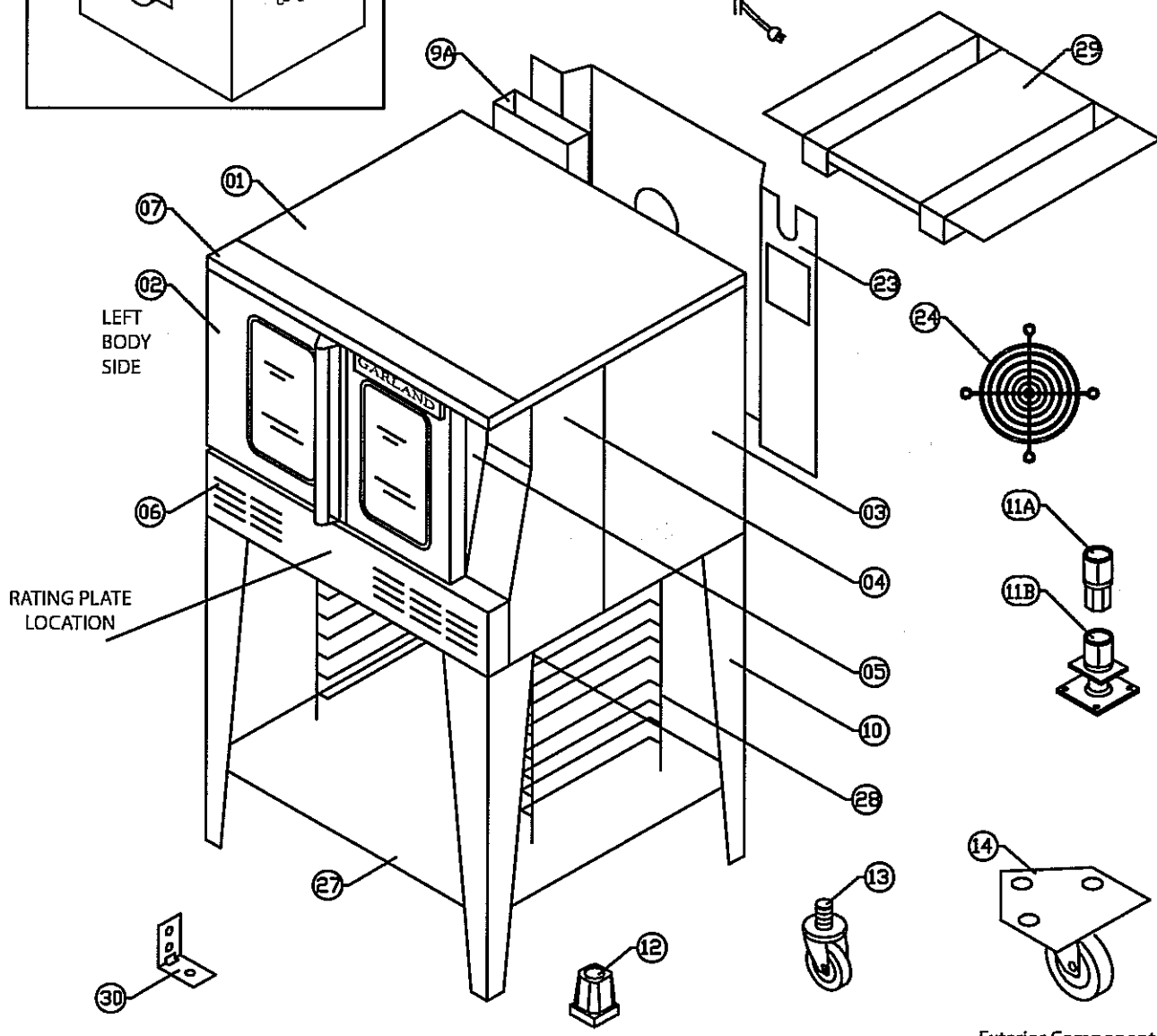
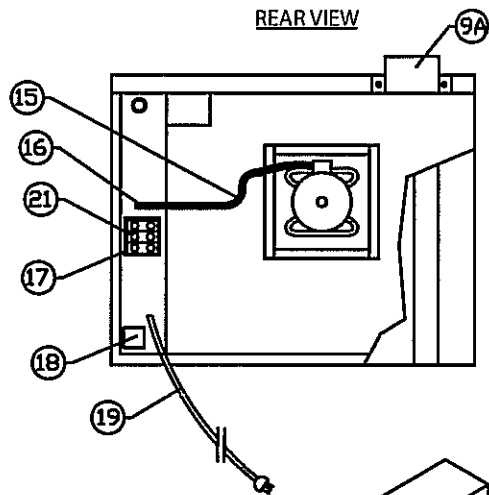
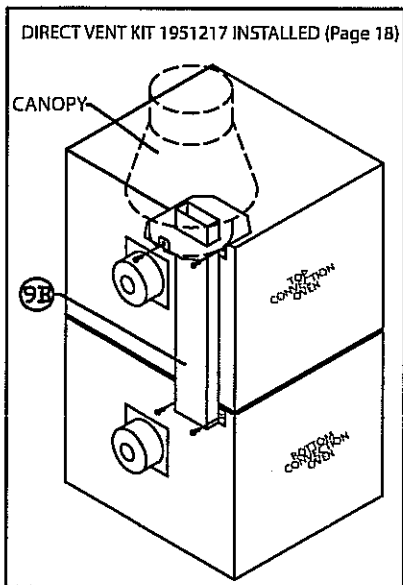
GARLAND PARTS IDENTIFICATION

Oven Components

ITEM	PART #	DESCRIPTION	QUANTITY	CRITICAL
1	1925201	Channel - Upper Hinge		
2	1925202	Channel - Lower Hinge	1	
3	1915401	Cover, Burner Box Front	1	
4	4519724	Cover Lower Front Trial	1	
5	1922001	Oven Rack Guide - 10 Pos, Standard	2	
	1922002	Oven Rack Guide - 10 Pos, Deep	2	
	1922101	Oven Rack Guide - 13 Pos, Standard	2	
	1922102	Oven Rack Guide - 13 Pos, Deep	2	
6	1922211	Oven Rack - Std	6	
	1922212	Oven Rack - Deep	6	
7	1765212	Rack Clip	8	
10	1623900	Light Bulb 40W	2	
11	1025900	Light Socket Gasket	2	
12	1025800	Lamp Socket - Porcelain	2	
13	1676901	Glass Hi Temp	1	
14	1921801	Cover - Light Box	1	
15	1921902	Light Box	1	
16	1928299	Plate - Light Box Patch - Porcelain	1	
	1928201	Plate - Light Box Patch - SS	1	
20	1802999	Fan Cover	1	
21	1782599	Fan Cover Duct, Left	1	
22	1782598	Fan Cover Duct, Right	1	
23	8004005	Allen Head Screws - 1/4-20 x 3/8	4	
24	1784302	Oven Vent Cap - 60K BTU	1	
	1784303	Oven Vent Cap - 80K BTU	1	
25	1785996	Fan Duct Restrictor - 80K BTU	2	
	1785998	Fan Duct Restrictor - 60K BTU	2	
26	G02904-01P	Blower Inlet Cover	1	
30	G02952-01P	Blower Wheel Assembly Plated	1	
31	1916401	Plate Motor Pocket Front	1	
32	1915921	Insulation - Motor Pocket	1	
33	1916402	Motor Pocket Back	1	
34	1916499	Motor Pocket Assembly	1	
35	1686711	Motor 3/4 HP, 115V, 2 Speed	1	C
	1686712	Motor 3/4 HP, 208/240V, 2 Speed	1	C
36	CK1003090	Motor Ass'y - 2 Speed - 115V	1	C
	CK1003091	Motor Ass'y - 2 Speed - 208/240 V	1	C
37*	1928204	Element Patch	1	

* NOT ILLUSTRATED

RECOMMENDED STOCK PARTS



Exterior Components

GARLAND PARTS IDENTIFICATION

Exterior Components

ITEM	PART #	DESCRIPTION	QUANTITY	CRITICAL
1	1917602	Cover - Main Top, SS	1	
2	1920201	Cover - Body Side Left, SS	1	
	1920202	Cover - Body Side Left, Black	1	
3	1918701	Cover - Body Side Right, SS	1	
	1918702	Cover - Body Side Right, Black	1	
4	1918801	Cover - Control Panel Right, SS	1	
	1918802	Cover - Control Panel Right, Black	1	
	1925999	Cover - Control Panel Right, Prison Pack	1	
5	1925501	Cover - Control Panel Left, SS	1	
	1925599	Cover - Lockable Control Panel, Prison Pack	1	
6	4519724	Cover - Lower Front Trim, SS	1	
6A*	8003107	Mscr-Th-Phi 10-24 x 3/4 (for cover lower front)	3	
7	1925301	Cover - Upper Front Trim, SS	1	
7A*	8002107	Mscr-Th-Phi-B #10 x 1/2 Stl 2P (for upper trim front)	3	
9A	1919999	Vent Assembly - Outer Std/Deep	1	
9B	1920001	Channel Double Stack	1	
10	1927199	Leg W/A - Sing Deck, Caster SS	4	
	1927197	Leg W/A - Sing Deck, Foot SS - 24"	4	
	1927195	Leg W/A - Dbl Stack, Foot SS	4	
11A	1236100	1-1/2" Square Foot Insert - Chrome Plated	4	
11B	1949701	Flanged Foot Insert	4	
12	1775102	Caster Insert (Single Deck Only)	4	
13	1926501	Caster - 4" Swivel W/O Brake 3/4NPT	4	
	1926502	Caster - 4" Swivel With Brake 3/4NPT	4	
14	1926531	Heavy Duty Caster - Double Deck	4	
	1926532	Heavy Duty Caster - Double Deck w/Brake	4	
	4524736	Kit Casters 3" Swivel W/O Brake (low profile caster) Note: Kit Includes Two Casters	1	
	4524737	Kit Casters 3" Swivel With Brake (low profile caster) Note: Kit Includes Two Casters	1	
	15	1029426	3/8 BX Cable 26" Long	1
16	1028501	BX Connector - Straight	1	
17	1927898	Cover-External Terminal Block (208/240V Units)	1	
18	1928206	Plate - Line Cord Patch	1	
19	1029501	8' Long Power Cord (115V Gas Units)	1	
21	1193900	Terminal Block - 3 Pole-HI Voltage	1	
23	1921001	Cover - Main Back, Std SS	1	
	1921002	Cover - Main Back, Std Black	1	
	1921003	Cover - Main Back, Deep SS	1	
	1921004	Cover - Main Back, Deep Black	1	
	1921098	Cover - Main Back, Std Depth (Prison Pack)	1	
	1921089	Cover W/A-Back, Std Depth (Prison Pack)		
	1921097	Cover - Main Back, Deep Gas (Prison Pack)	1	
	1921088	Cover W/A-Deep Depth Gas (Prison Pack)		
24	1919001	Cooling Fan Guard - 120mm	1	
27	1926902	Panel - Open Base, SS	1	
28	1926702	Rack Guide - Lower, Open Base	2	
29	1926802	Support - Rack Guide, Upper	1	
30	1927001	Clip Lower Rack Guide Support	1	
33*	1782001	Instruction Label	1	

* NOT ILLUSTRATED

RECOMMENDED STOCK PARTS

GARLAND PARTS IDENTIFICATION
Controller Conversion Kits - Fast Control

PART #	DESCRIPTION
4522593	450/410 TO 200 CONV KIT - MCO Gas
4518191	KIT, MCO 200 TO 450 - GAS 115V

Gas Wiring Diagrams

PART #	DESCRIPTION
194951 1-R07	115V 60HZ Gas, Mechanical Control (200 Series) - Direct Spark Ignition
1949501-R04	115V 60HZ Gas, FAST Control (400 Series) - Direct Spark Ignition
1949512-R05	208/240V Gas, Mechanical Control (200 Series) - Direct Spark Ignition
1949502-R02	208/240V Gas, FAST Control (400 Series) - Direct Spark Ignition

Gas Conversion Kits

PART #	DESCRIPTION
4526640-1	KIT - MCO 60,000 BTU Natural to 60,000 BTU Propane Gas
4526640-2	KIT - MCO 60,000 BTU Propane to 60,000 BTU Natural Gas
4526640-3	KIT - MCO 60,000 BTU Natural to 80,000 BTU Natural Gas
4526640-4	KIT - MCO 80,000 BTU Natural to 60,000 BTU Natural Gas

Stacking, Leg, Caster, Vent and Base Kits

Single Deck Kits

PART #	DESCRIPTION
1951213	S/S Open Base & Feet Kit - Full Size MCO
1951214	S/S Open Base & Casters - Full Size MCO
1951204	Single Deck S/S Legs & Feet Inserts - Full Size MCO
1951205	Single Deck S/S Legs and Casters - Full Size MCO

Double Deck Kits

PART #	DESCRIPTION
1951209	Kit MCO - Heavy Duty Casters - Full Size MCO
1951210	Kit MCO - LO-Profile Casters - Full Size MCO
1951223	Double Deck Gas W/Inserts S/S Legs - Full Size MCO
1951226	Double Deck Gas W/Casters - Full Size MCO-SGM & SUMG
1951228	Double Deck Gas W/Lo Profile Casters - Full Size MCO

Ventilation Kits

PART #	DESCRIPTION
1951217	Direct Connect Venting Kit
1951229	S/S Canopy Diverter for MCO-SGM & SUMG

GARLAND PARTS IDENTIFICATION

Revision History

REV. #	PAGE #	ITEM #	NOTE	DATE
			New Book Released – MCO-GS-GD-10	May 20/09
1	8,9	11	New Part Added	May 25/09
2	8		New Drawing - Balloon 8&9 Switched	Jul 16/09
3	8		New Drawing – Item 01 Moved	Sep 21/09
	9	1	Description Changed	
	17	9A	Was item 9. Description changed - was Vent Asm Outer.	
		9B	New Part Number Added	
	16		New Drawing	
	5	33	Part number changed - was 1918201 (Cooling Fan - 115V, 4-11/16" x 4-11/16")	
			1918201 (Fan 115V) Changed to the 1671100 (Fan 115V) from S/N 0709100200064, date: July 24, 2009.	
	7	29	Part number changed - was 1918201 (Cooling Fan - 115V, 4-11/16" x 4-11/16") and 1918202 (Cooling Fan 208 / 240 V)	
			1918202 (Fan 208/240V) Changed to the 1671101 (Fan 208/240V) from S/N 0908100200514, date: August 20, 2009. 1918201 (Fan 115V) Changed to the 1671100 (Fan 115V) from S/N 0709100200064, date: July 24, 2009.	

 **Garland**