



PARTS IDENTIFICATION GUIDE

**GARLAND ELECTRIC
CONVECTION OVEN
MODEL MCOE5LDSMD**

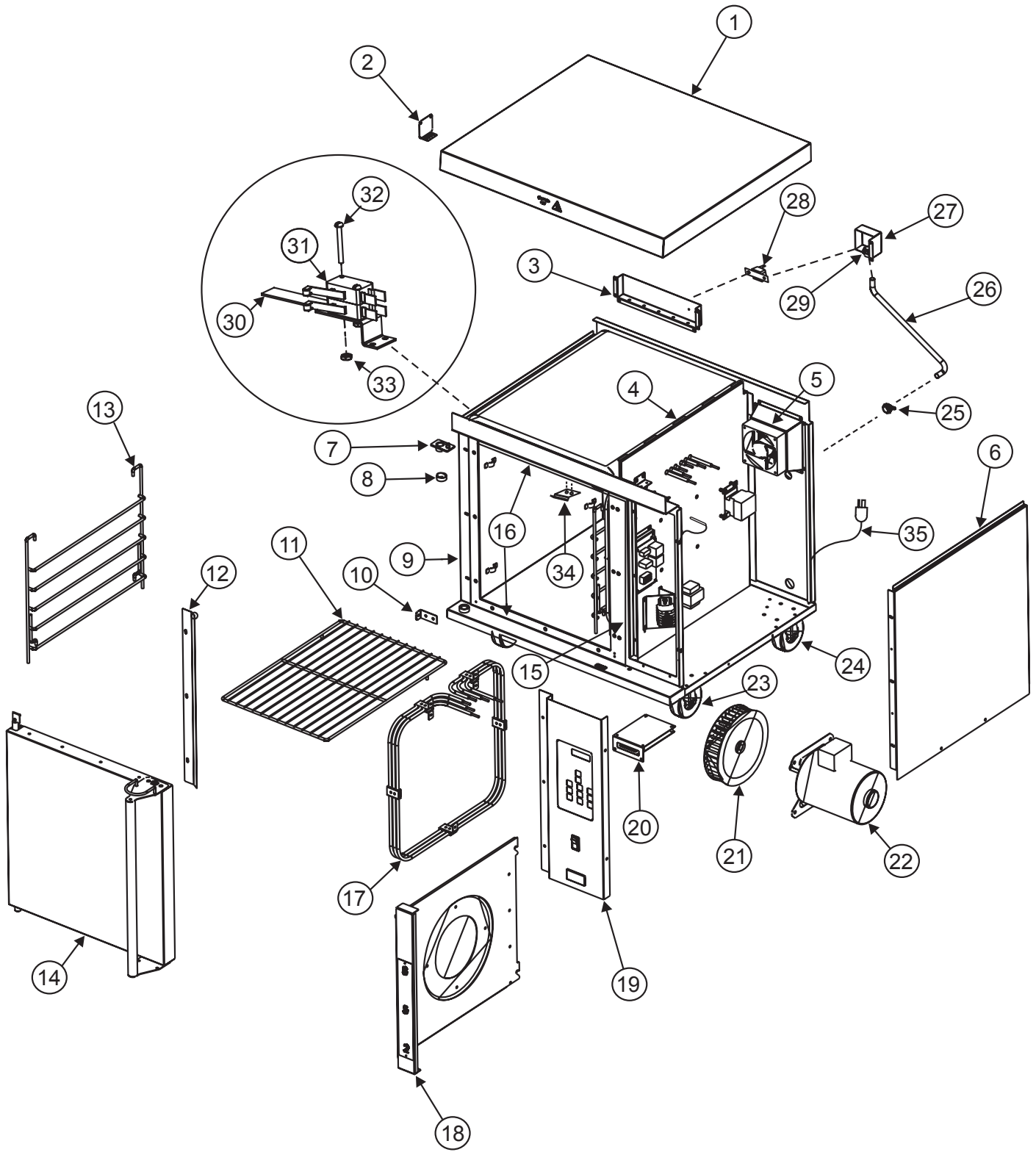


MANUFACTURED EXCLUSIVELY FOR McDonald's BY
GARLAND COMMERCIAL INDUSTRIES, LLC
185 EAST SOUTH STREET FREELAND, PENNSYLVANIA 18224
TOLL FREE: (800) 446-8367 PHONE: (570) 636-1000 FAX: (570) 636-9874
E-mail: clamshell@garland-group.com
<http://www.garland-group.com>

Contents

Exploded View	4
Card Reader Assembly	5
Side Partition Assembly	6
Control Panel Assembly	6
Element Assembly	7
Door Panel Assembly.....	7

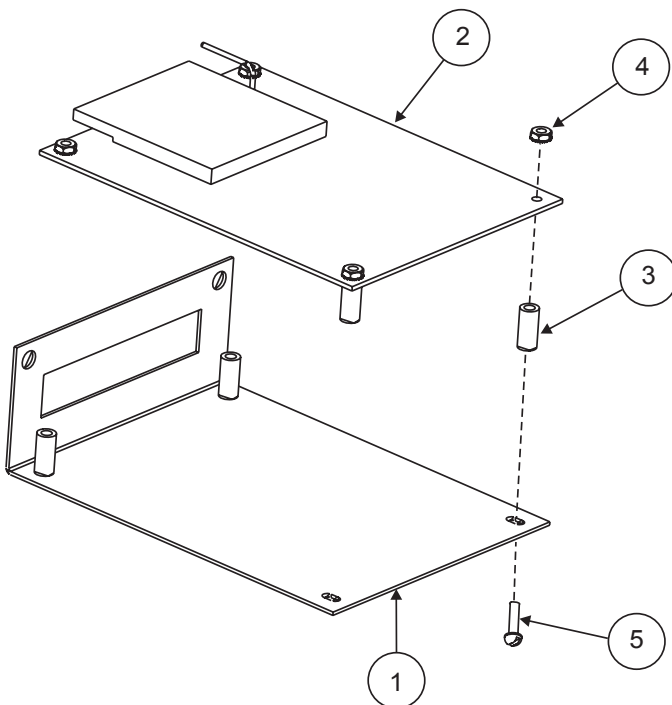
Exploded View



Exploded View

Item	Part #	Description	Item	Part #	Description
	1953209	Double Deck Stacking Kit	21	1765704	Blower Wheel Assembly
1	1960901	Main Top MCOE5L	22	1951502	Motor 208-240 1/3 HP 5/8 Shaft
2	1960902	Cover, Micro Switch Access	23	1027801	Swivel Caster with wheel lock
3	1960502	Flue Box MCOE5	24	1027800	Swivel Caster W/O lock
4	1961199	Partition Side	25	1028500	3/8 x 90 BX Connector
5	1671101	Fan - 110MM, 208/240 V	26	1960504	BX Cable 15 3/8"
6	1951402	Body Side, CNTRL	27	1960503	High Limit Cover
7	1385497	Hinge Bracket Assembly	28	4520416	High Limit 135F Degree
8	1011201	Steel Tubing Chrome Spacer	29	1028501	3/8 BX connector
9	1951401	Body Side, Oven	30	1962196	Micro Switch Bracket
10	1960795	Baffle MTG BRKT	31	9006401	Switch-Mini Snap Hi-Temp 1 Amp.
11	1766001	Oven Rack	32	8003221	4-40x1 PH Pan HD M/S ZC
12	1966503	Door Seal MCOE5	33	8001505	4-40 Keps Nut ZC
13	1766004	Rack Guide	34	1962207	Door Catch
14	1962199	Oven Door MCOE5	35	1834503	Cord Set w/NEMA-30P
15	1966501	Door Seal RT Silicon		1966411	Cord Set w/3P - Pin and Sleeve
16	1966502	Door Seal Top / Bottom Silicon		4513157	Fuse, (600V / 10A)
17	1765199	Element Assembly		1774101	Fuse Holder
18	1960797	Baffle Assembly		1966406	Wire Harness; Relay Board to Controller
19	1946673	Control Panel Assembly		1966407	Wire Harness; Card Reader
20	1962299	Card Reader Assembly		1966408	Wire Harness; Main Power

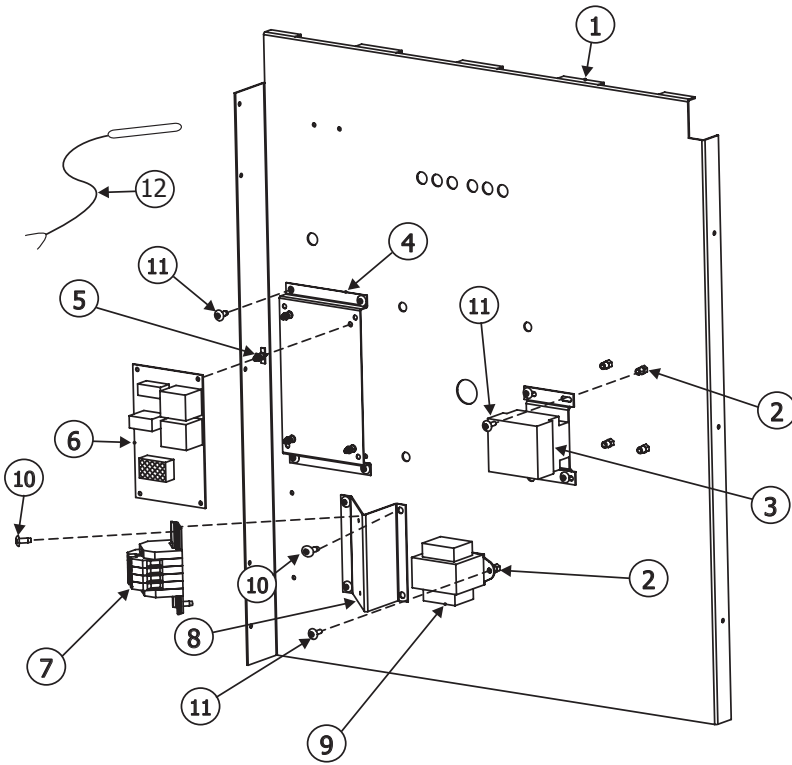
Card Reader Assembly



Card Reader Assembly

Item	Part #	Description
	1962299	Card Reader Assembly
1	1962203	Bracket, Card Reader
2	1966404	Card Reader
3	1955703	Standoff-Nylon 1/4 Dia 3/4 LG
4	8001502	Nut W/Lock Washer 6-32 KEP
5	8005501	FHS Stud 6-32 x 7/8 L

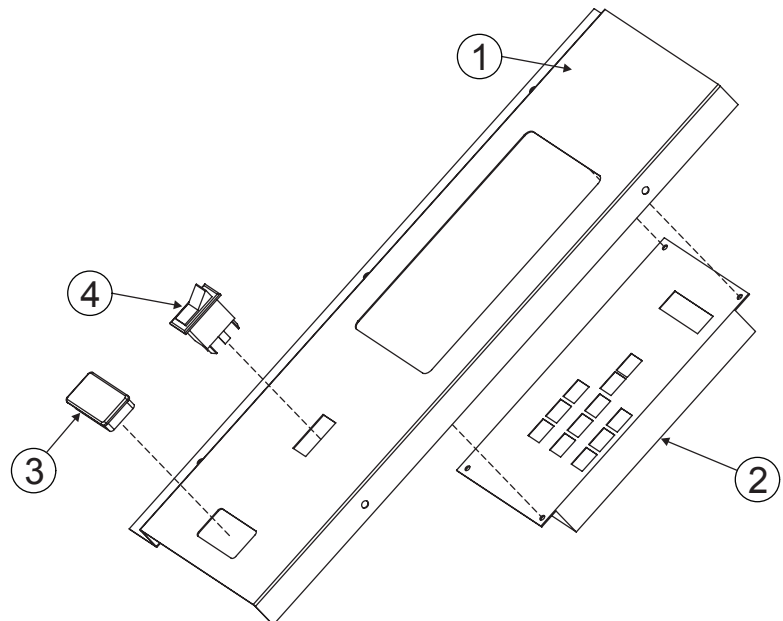
Side Partition Assembly



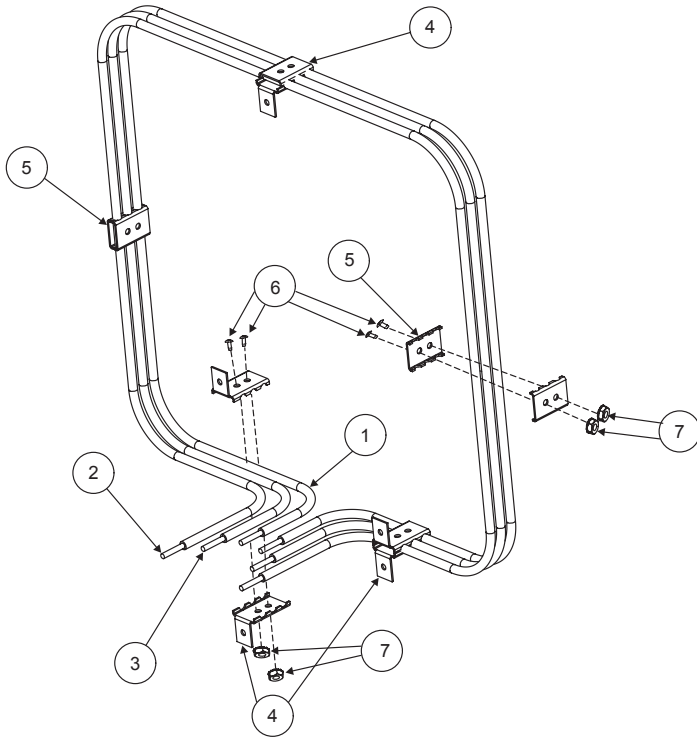
Side Partition Assembly		
Item	Part #	Description
1	1961101	Partition Side MCOE5L
2	9000902	#10-24 Hexagonal TNS
3	1637002	Contactors 240V Coil
4	1962201	Relay Board Mounting Brkt
5	1767901	Nylon PCB Spacer
6	1966405	Relay Board
7	1860113	Terminal Block 4 Lug
8	1962208	Bracket, Terminal Block
9	4521630	Transformer, 24 VAC
10	8002107	10x1/2 PH TRS HD
11	8003123	10-24x5/8 PH TRS HD
12	9006800	RTD Probe

Control Panel Assembly

Control Panel Assembly		
Item	Part #	Description
1	1946623	Control Panel MCDS MCOE5L
2	1966401	Control, MCDS MCOE5
3	1966410	Card Reader Cover / Black
4	1872404	Power Switch



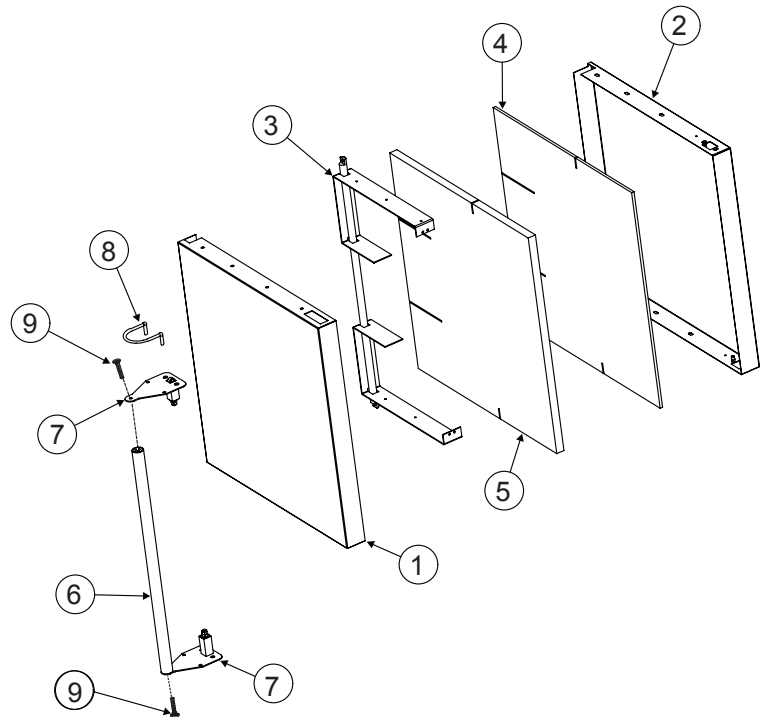
Element Assembly



Element Assembly		
Item	Part #	Description
1	1765101	Element Inner 208/240V 2500W
2	1765102	Element Outer 208/240V 2500 W
3	1765111	Element Center 208/240V 2500 W
4	1765105	Element Holder W/Flange
5	1765106	Element Holder W/O Flange
6	8003107	10-24 x 3/4 screw
7	8001501	10 - 24 Keps Nut

Door Panel Assembly

Door Panel Assembly		
Item	Part #	Description
1	1962101	Door Panel Solid
2	1962197	Door Liner Solid
3	1962198	Door Frame
4	1961906	Insulation ATDT5000
5	1961908	Insulation Fiberglass
6	1952098	Handle Half Size Co
	1966604	Latch Roller only
	1966607	Latch Spring only
7	1952096	Handle End Latch, complete
8	G0728-1-9	T'Stat Guard
9	8003142	Screw 1/4 - 20x3/4



Garland Parts Identification Guide



Electric Convection Oven

MCOE5LDSMD Rev. 3 (08/01/08)

Garland Commercial Industries, LLC, 185 East South Street, Freeland, Pennsylvania 18224
Phone: +1 (570) 636-1000 • Fax: +1 (570) 636-9874
TOLL FREE Service Hotline: (800) 446-8367
<http://www.garland-group.com> • Email: qsrservice@garland-group.com

Enodis[®]