



***GARLAND MODEL  
MCO GS/GD-10 MU MODEL  
CE UNIT***

**PARTS LIST**

Toll Free Phone, (US & Canada): (800) 427-6668

Toll Free Fax, (US & Canada): (800) 361-7745

<http://www.garland-group.com>

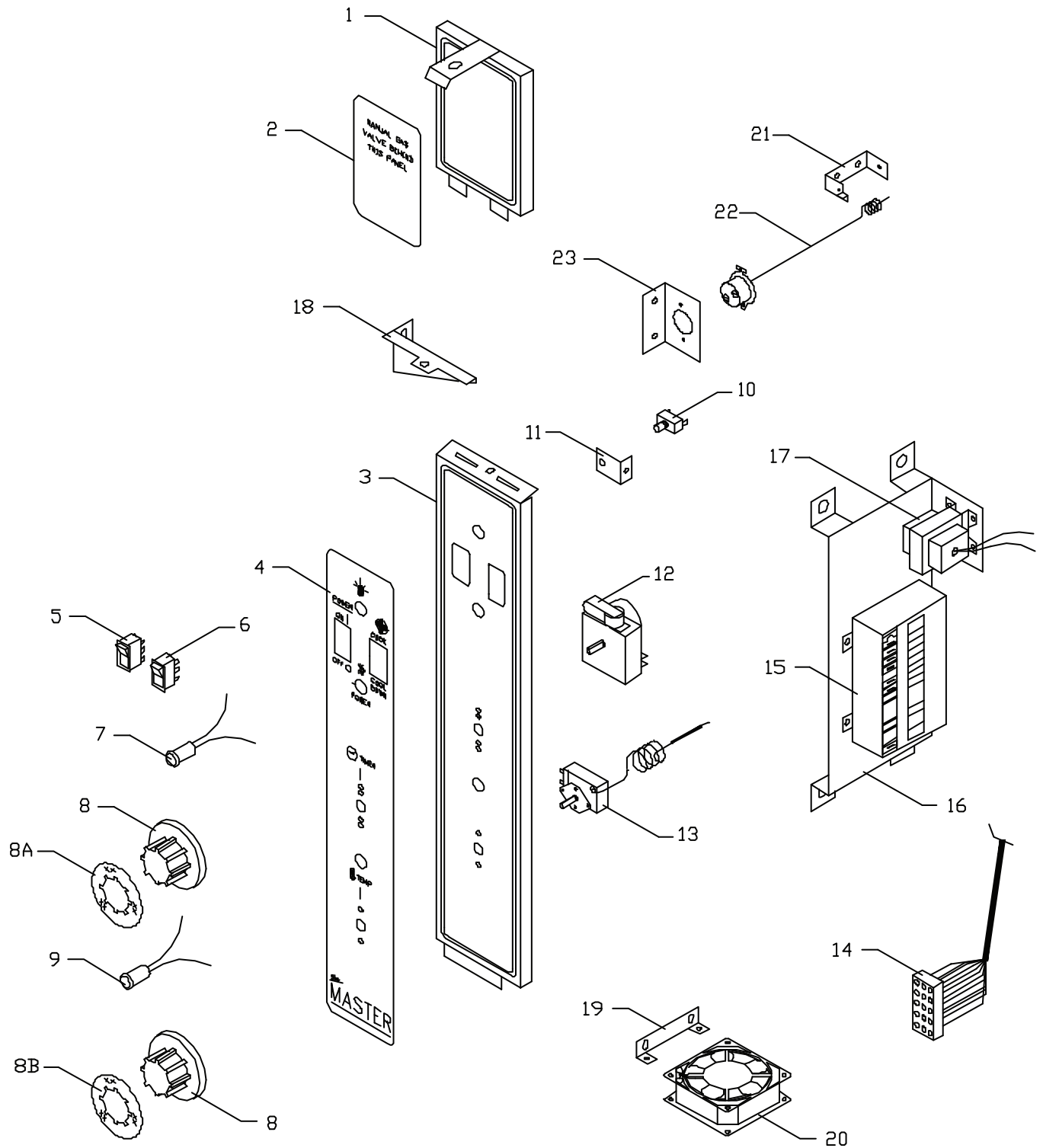




***GARLAND MODEL  
MCO GS/GD-10 MU MODEL  
CE UNIT***

***Contents:***

Manual Control Panel .....	Page 4
Digital Control Panel .....	Page 6
Control Option Section .....	Page 8
Burner Package Section .....	Page 10
Dependent Door Section .....	Page 12
Oven Components .....	Page 16
Main Exterior .....	Page 20
Revision History .....	Page 22



Manual Control Panel CE Unit

**GARLAND PARTS IDENTIFICATION**  
**Manual Control Panel MCO-GS/GD-10 MU Models-CE Units**

**MCO Models**

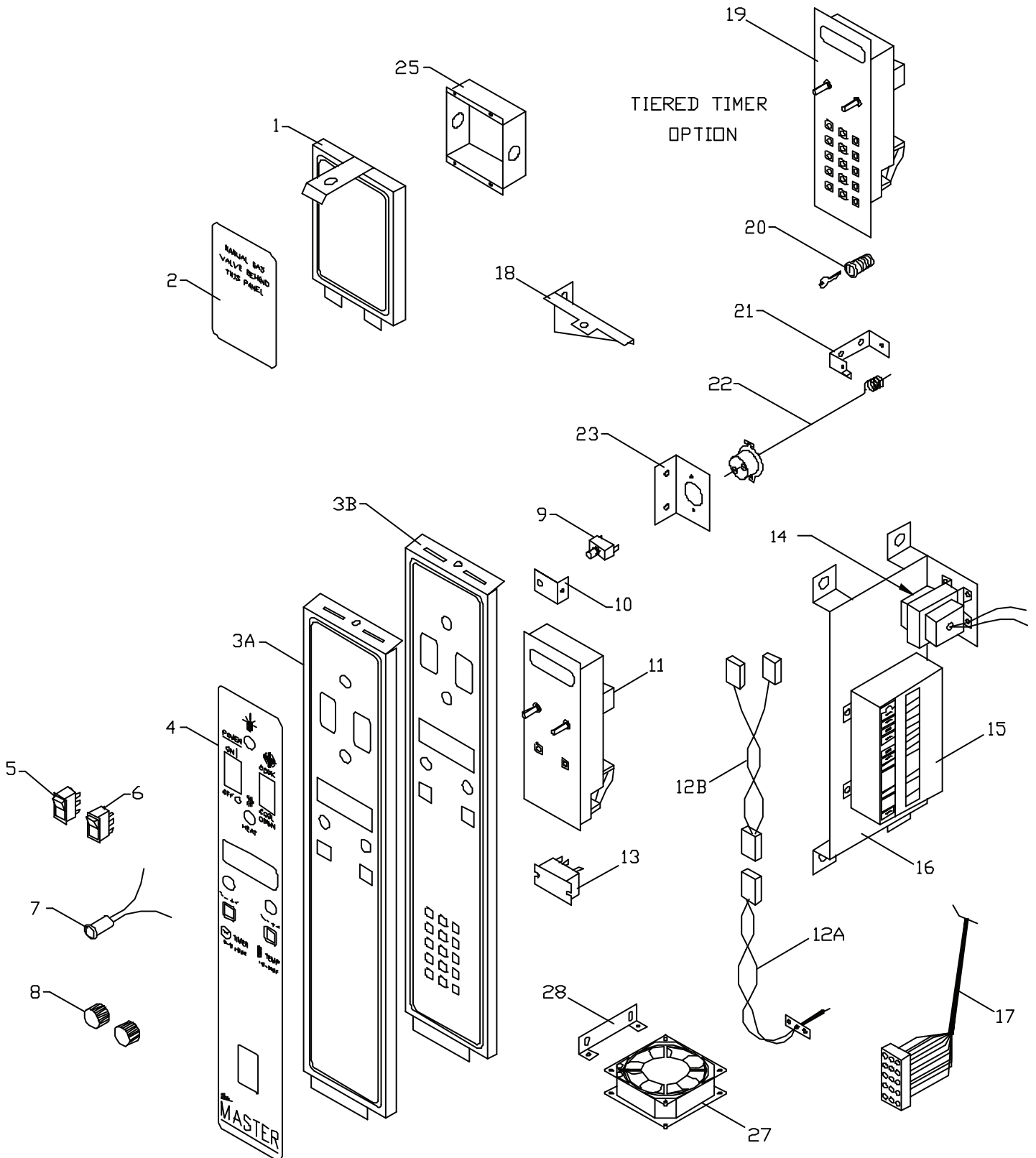
ITEM	PART #	DESCRIPTION	MODELS		
			MCO-GS/GD-10 MU		
			QTY	FROM DATE	TO DATE
1	1802599	Control Panel Top	1		
2	1789605	Overlay Top Control Panel Gas	1		
3	1802504	Control Panel Mechanical	1	Sep-95	
4	1789603	Overlay Gas Man. Control 2 Speed	1		
	1789604	Overlay Gas Man. Control 1 Speeds	1		
5	1019203	Rocker Power Switch 2 Pos 1 Speed On/Off	1		
	1019207	Rocker Power Switch 3 Pos 2 Speeds On/Off/On	1		
6	<b>1019209</b>	<b>Rocker Power Switch 2 Pos 1 Speed On/Off</b>	1		
7	<b>1270000</b>	<b>Pilot Light Amber 28V</b>	1		
8	<b>G02716-1</b>	<b>Dial - (Universal) Small Shaft</b>	2		
8A	<b>G02725-17</b>	<b>Dial Inert (OFF/150F/550F) Oven F</b>	1		
8B	<b>1314134</b>	<b>Dial Insert 0 - 60 MIN.</b>	1		
9	<b>G01296-3</b>	<b>Pilot Green</b>	1	Aug-95	
10	<b>G03053-1</b>	<b>Momentary Switch Push Button</b>	1		
11	1749201	Panel Retraining Bracket	1	Aug-95	
12	1285701	Mallory 1 HR Timer 240V 50/60H	1		
13	<b>1032400</b>	<b>Thermostat (Use G02902-01)</b>	1		
14	1804704	Wire Harness -Mechanical Gas	1		
14A*	1804702	Wire Harness -Spark Ignition	1		
14B*	1804703	Wire Harness- Power Supply			
15	<b>2579800</b>	<b>Direct Spark Ignition Module</b>	1	9608C5147	
16	1787341	Ignition Module Mtg Bracket	1		
17	<b>1636000</b>	<b>Transformer 24V / 240V</b>	1		
18	1802101	Top Control Panel MTG Bracket	1		
19	1774401	Cooling Fan Mounting Bracket	1	Jan-95	Mar-99
20	<b>1671101</b>	<b>Cooling Fan 208 / 240 V.</b>	1	Sep-97	Feb-98
	<b>1671103</b>	<b>Cooling Fan 208 / 240 V.</b>	1	Feb-98	Oct-99
21	1848101	Hi -Limit Bulb Clamp	1	Jun-97	
22	<b>1848201</b>	<b>Hi Limit</b>	1	Jun-97	
23	1848102	Hi-Limit Bracket	1	Jun-97	
24*	1804713	Hi-Limit Harness	1	Jun-97	
25*	1028402	Ground Lug	1		
26*	1028804	Snap Bushing	2		
	1028807	Snap Bushing	2		
27*	1804721	Wire Harness - 208/240V 2 Speed Only	1		

**Conversion Kit**

CK4028	MCO G/GD -10 - Digital To Manual 240V			
--------	---------------------------------------	--	--	--

\* NOT ILLUSTRATED

**RECOMMENDED STOCK PARTS**



Digital Control Panel CE Units

**GARLAND PARTS IDENTIFICATION**  
**Digital Control Panel MCO-GS/GD-10 EU Models-CE Units**  
**MCO Models**

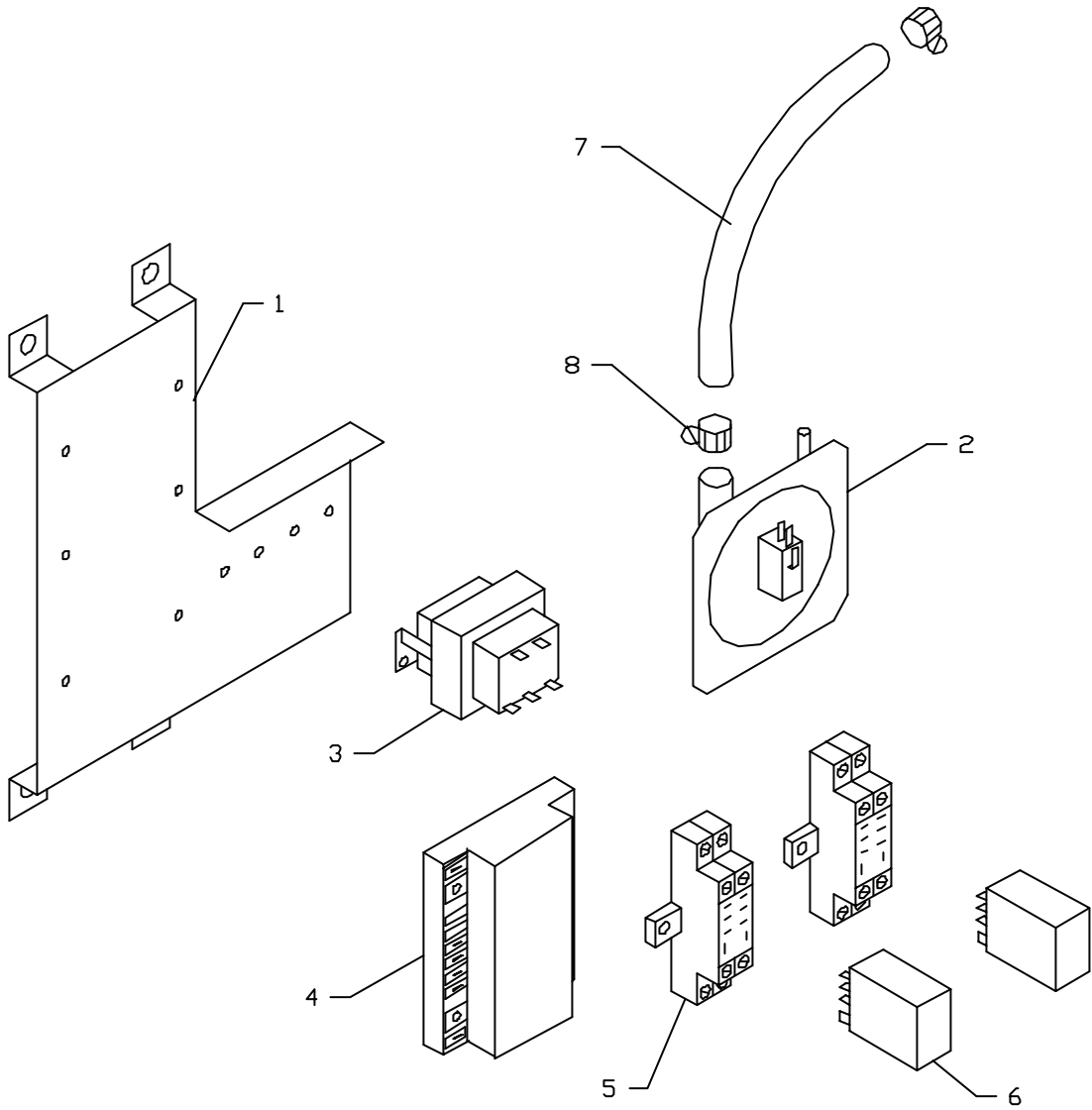
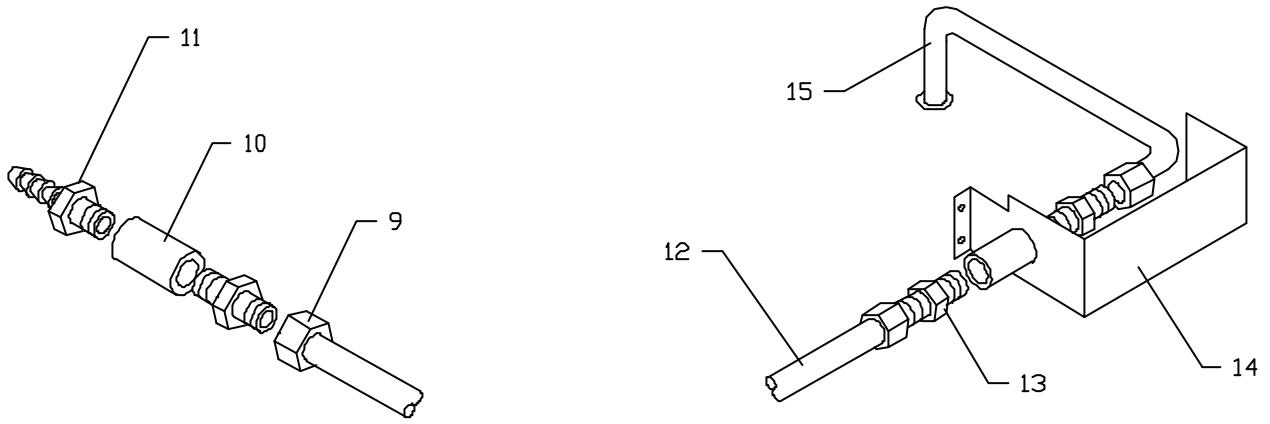
ITEM	PART #	DESCRIPTION	MODELS		
			MCO-GS/GD-10 EU		
			QTY	FROM DATE	TO DATE
1	1802599	Control Panel Top	1		
2	1789605	Overlay Top Control Panel Gas	1		
3A	1802597	Control Panel COM6000	1	Sep-95	
3B	1802598	Control Panel Tiered Timer	1	Nov-89	
4	1789601	Overlay Gas COM6000 2 Speed	1		
	1789602	Overlay Gas COM6000 1 Speed	1		
	1789607	Overlay Tiered Timer - 15 Button	1	Nov-89	
5	<b>1019203</b>	<b>Rocker Power Switch 2 Pos 1 Speed On/Off</b>	1		
	<b>1019207</b>	<b>Rocker Power Switch 3 Pos 2 Speed On/Off/On</b>	1		
6	<b>1019209</b>	<b>Rocker Power Switch 2 Pos On/Off</b>	1		
7	<b>1270000</b>	<b>Pilot Light Amber 28V</b>	1		
8	<b>1720501</b>	<b>Time/Temp Knob</b>	2		
9	<b>G03053-1</b>	<b>Momentary Switch Push Button</b>	1		
10	1749201	Panel Restraining Bracket	1		
11	<b>1517706</b>	<b>Gas/Electrical MCO Control</b>	1		
	1623403	Control -ULT-2 Key Gas	1		Jun-95
12A	<b>9006800</b>	<b>Sensor Probe 5" W/36" Teflon</b>	1		Feb-97
	<b>1842901</b>	<b>Flange Mount Oven Probe (Rear Mount)</b>	1	Feb-97	
12B	1842902	Probe Interconnect Harness	1	Feb-97	
13	<b>1771602</b>	<b>Relay 240V 2 Pole</b>	1		
14	<b>1636000</b>	<b>Transformer 24V / 240V</b>	1		
15	<b>2579800</b>	<b>Direct Spark Ignition Module</b>	1	9608CJ147	
16	1787341	Ignition Module Mgt Bracket	1		
17	1804701	Wire Harness -COM6000	1		
	1804703	Wire Harness -Power Supply	1		
	1804706	Wire Harness- Tiered Timer	1		
18	1802101	Top Control Panel Mounting Bracket	1		
19	1665200	Tiered Timer - 15 Button	1	Nov-89	
20	1516600	Key Lock W/Backing Nut –Tiered Timer	1		
21	1848101	Hi -Limit Bulb Clamp	1	Jun-97	
22	<b>1848201</b>	<b>Hi Limit</b>	1	Jun-97	
23	1848102	Hi-Limit Bracket	1	Jun-97	
24*	1804713	Hi-Limit Harness	1	Jun-97	
25	1841701	Thermocouple Junction Box	1	Feb-97	
26*	1028804	Snap Bushing	2		
	1028807	Snap Bushing	2		
27	<b>1671101</b>	<b>Cooling Fan 208 / 240 V.</b>	1	Sep-97	Feb-98
	<b>1671103</b>	<b>Cooling Fan 208 / 240 V.</b>	1	Feb-98	Oct-99
28	1774401	Cooling Fan Mounting Bracket	1	Jan-95	Mar-99
29*	1804721	Wire Harness - 208/240V - 2 Speed only	1		
30*	1028402	Ground Lug	1		

Conversion Kit

CK4025	MCO GS/GD - 10 - Manual To Electronic			
--------	---------------------------------------	--	--	--

\* NOT ILLUSTRATED

**RECOMMENDED STOCK PARTS**



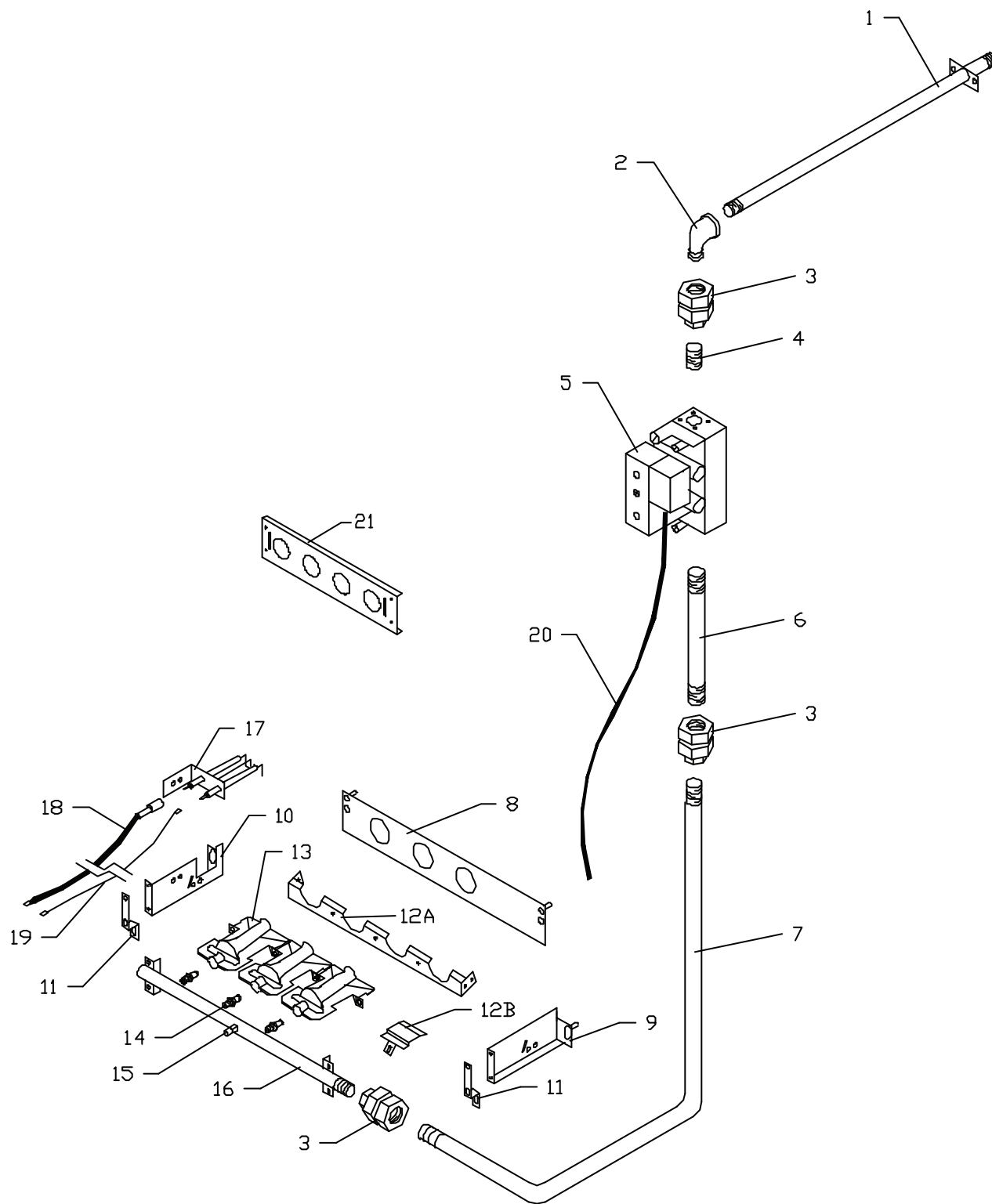
Control Option CE Units

**GARLAND PARTS IDENTIFICATION**  
**Control Option Section MCO-GS/GD-10 MU, EU Models-CE Units**  
**MCO Models**

ITEM	PART #	DESCRIPTION	MODELS		
			MCO-GS/GD-10 MU, EU		
			QTY	FROM DATE	TO DATE
1	1787341	Ignition Module Mgt. Bracket	1		
2	<b>2579900</b>	<b>Air Pressure Switch</b>	1		
3	<b>1636000</b>	<b>Transformer 24V / 240V</b>	1		
4	<b>2579800</b>	<b>Direct Spark Ignition Module</b>	1		
5	2475600	Relay Socket	2		
6	<b>2475501</b>	<b>Relay 240V</b>	2		
7	1839402	1/4" Blue Rubber Hose - 16" LG	1		
8	1518100	Mini Hose Clamp	2		
9	1034701	Straight Connector - 1/4 x 7/16cc	1		
10	1004806	1/4 NPT Pipe Coupling	1		
11	1848701	Hose Barb Fittings	1		
12	1900801	Air Supply Tube - 7/16 Tubing	1		
13	1095499	Straight Connector 3/8 x 7/16 CC	2		
14	1814898	Outer Oven Vent Ass'y	1		
15	1900802	Flared Air Sensing Tube	1		

\* NOT ILLUSTRATED

**RECOMMENDED STOCK PARTS**



Burner Package CE Units

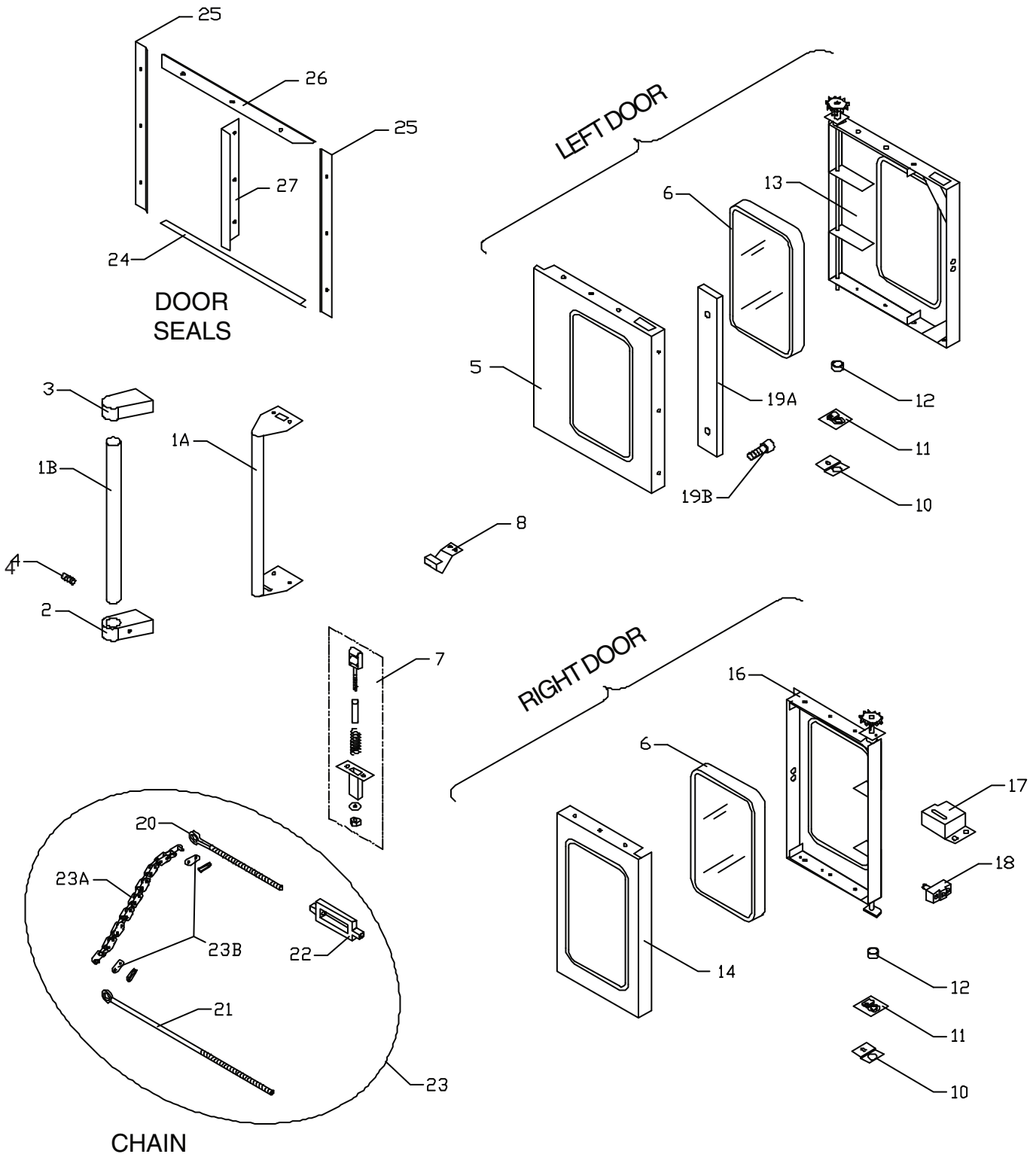
**GARLAND PARTS IDENTIFICATION**  
**Burner Package Section MCO-GS/GD-10 MU, EU Models-CE Units**

**MCO Models**

ITEM	PART #	DESCRIPTION	MODELS		
			MCO-GS/GD-10 MU, EU		
			QTY	FROM DATE	TO DATE
1	1786449	Tail Pipe Std.	1		
	1786448	Tail Pipe Deep	1		
2	1026733	1/2 NPT Street Elbow 90 Deg.	1		
3	1026903	Union 1/2" NPT	3		
4	1004640	Close Nipple 1/2" NPT x 1" Long	1		
5	<b>2579700</b>	<b>Multi Function Gas Valves</b>	1		
6	1004642	Nipple 1/2" NPT x 2"	1		
7	1838501	Supply Manifold 1/2" Pipe	1		
8	1800902	Venturi Plate 60K BTU	1		Feb-97
	1800903	Venturi Plate 60K / 80K BTU	1	Feb-97	
9	1801298	Burner Mounting Bracket RT S/W	1		
10	1801299	Burner Mounting Bracket LT S/W	1		
11	1814601	Burner Pkg Mounting Bracket	2		
12A	1786801	Burner Rest	1		
12B	1847602	Carry Over Shield (as required)	3		
13	<b>1803501</b>	<b>Inshot Burner</b>	3		Feb-97
	<b>1803501</b>	<b>Inshot Burner</b>	4	Feb-97	
14	1804348	Natural Orifice 80K BTU (0.078")	3		Feb-97
	1804350	#50 - Natural Orifice 60K BTU	4	Feb-97	
	1804355	#55 - LP Burner Orifice	3		Feb-97
	1804356	#56 - LP Burner Orifice – 60K BTU	4	Feb-97	
15	G02251-1	Pressure Test Spigot	1		
16	1784442	Manifold Pipe	1		
17	<b>2580800</b>	<b>Ign Electrode / Flame Sensor</b>	1		
	<b>1902001</b>	<b>Electrode Assemly (cw 36" Wire)</b>	1	Jan-98	
	<b>1902002</b>	<b>Direct Spark Ignition</b>	1	Jan-98	
	<b>CK4038</b>	<b>Spark Igniter &amp; Sensor Conv. Kit</b>	1		
18	<b>1815002</b>	<b>Hi Tension Ignition Wire</b>	1		
19	1815003	Flame Sensor Wire 48"	1		
20	2579701	Plug With Cord	1		
	2579702	Gasket & Screw	1		
21	4520002	Adapter Bracket Inshot Burner	1	11-Apr-05	

\* NOT ILLUSTRATED

**RECOMMENDED STOCK PARTS**



Dependent Door CE Units

## GARLAND PARTS IDENTIFICATION

### Dependent Door Section MCO-GS/GD-10 MU, EU Models-CE Units

#### MCO Models

ITEM	PART #	DESCRIPTION	MODELS		
			MCO-GS/GD-10 MU, EU		
			QTY	FROM DATE	TO DATE
1A	1664802	Door Handle - Black	1		Feb-97
1B	1840999	Door Handle - Black	1	Feb-97	
2	1562604	Door Handle End Black - Bottom	1		Feb-97
3	1562605	Door Handle End Black - Top	1		Feb-97
4	8003800	Set Screw Socket (3 PC. Handle Only)	2		Apr-98
5	1803703	Left Door Panel - Window	1		
	1803704	Left Door Panel - Solid	1		
6	1010999	Window (3/16" Glass)	1		
7	1757998	Latch Bench Assy's	1	Aug-95	
8	<b>1810201</b>	<b>Door Catch</b>	1		Apr-97
	<b>1841201</b>	<b>Door Catch</b>	1	Apr-97	
9*	1803797	Left Door Frame W/A NLA Replaced By CK1803795 -A or CK1803796 -A			
10	1302800	Upper Door Bearing Retainer	2		
11	1010589	Hinge Bracket Ass'y W/Bearing	2		
12	1011201	Steel Tubing Chrome Spacer	2		
13	1803706	Left Door Liner Only-WindowNLA-Replaced by CK180395-A			
	1803705	Lt.Door Liner Only-Solid-NLA-Replaced by CK1803796 -A			
	CK1803795-A	Lt Door Liner + Frame-Window, With Welded Cam	1	Apr-97	
	CK1803796-A	Lt Door Liner + Frame - Solid, With Welded Cam	1	Apr-97	
14	1803711	Rt Door Panel - Window	1		
	1803712	Rt Door Panel - Solid	1		
15*	1803798	Rt Door Frame-Window, With Welded Cam- NLA- (R/B CK1803793-A or B)			
	1803799	Rt Door Frame-Solid with Welded Cam-NLA- (R/B-CK1803794 -A)			
	1803709	Rt Door Liner Only-Window-NLA (R / B CK1803793 -A or -B)			
	1803710	Rt Door Liner Only-Solid-NLA (R / B CK1803794 -A or -B)			
16	CK1803791-A	Rt Door Liner + Frame-Window,W/Welded Cam. (before Mar-99)			
	CK1803794-A	Rt Door Liner + Frame-Solid,W/Welded Cam (before Mar-99)			
17	1805801	Micro Switch Mounting Bracket	1		Mar-99
18	<b>1019600</b>	<b>Micro Door Switch</b>	1		Mar-99
19A	1663201	Handle Bracket Plate (Used With 3 Pc Handle Only)	1	May-96	Feb-97
19B	8003406	Hex Head Machine Screw 1/4-20 X 1"	2	Feb-97	
20	1014201	Connecting Left Door Rod Short (Not Sold Separately)	2		
21	1014200	Connecting Right Door Rod Long (Not Sold Separately)	2		
22	1015000	Turnbuckbuckel 1/4-20 with 4" Take UP (Dependent Door Only)	2		
23*	CK1138	Door Chain Ass'y Included 23A & 23B Fully Assembled	2		
23A	1021100	Roller Chain #40 (Dependent Door Only)	2		
23B	1021299	Connecting Link #40 Components	4		
24	1679301	Bottom Door Seal	1	Feb-97	
	1841401	Bottom Door Seal Froward	1	Feb-97	
25	1679303	Side Door Seal	2	Feb-97	
	1841403	Side Door Seal Forward	2	Feb-97	

\* NOT ILLUSTRATED

**RECOMMENDED STOCK PARTS**

## GARLAND PARTS IDENTIFICATION

Dependent Door Section MCO-GS/GD-10 MU, EU Models-CE Units

### MCO Models

ITEM	PART #	DESCRIPTION	MODELS		
			MCO-GS/GD-10 MU, EU		
			QTY	FROM DATE	TO DATE
26	1679302	Top Door Seal	1		Feb-97
	1841402	Top Door Seal Forward	1	Feb-97	
27	1841404	Side Door Seal Std/Retro Fit	1	Feb-97	

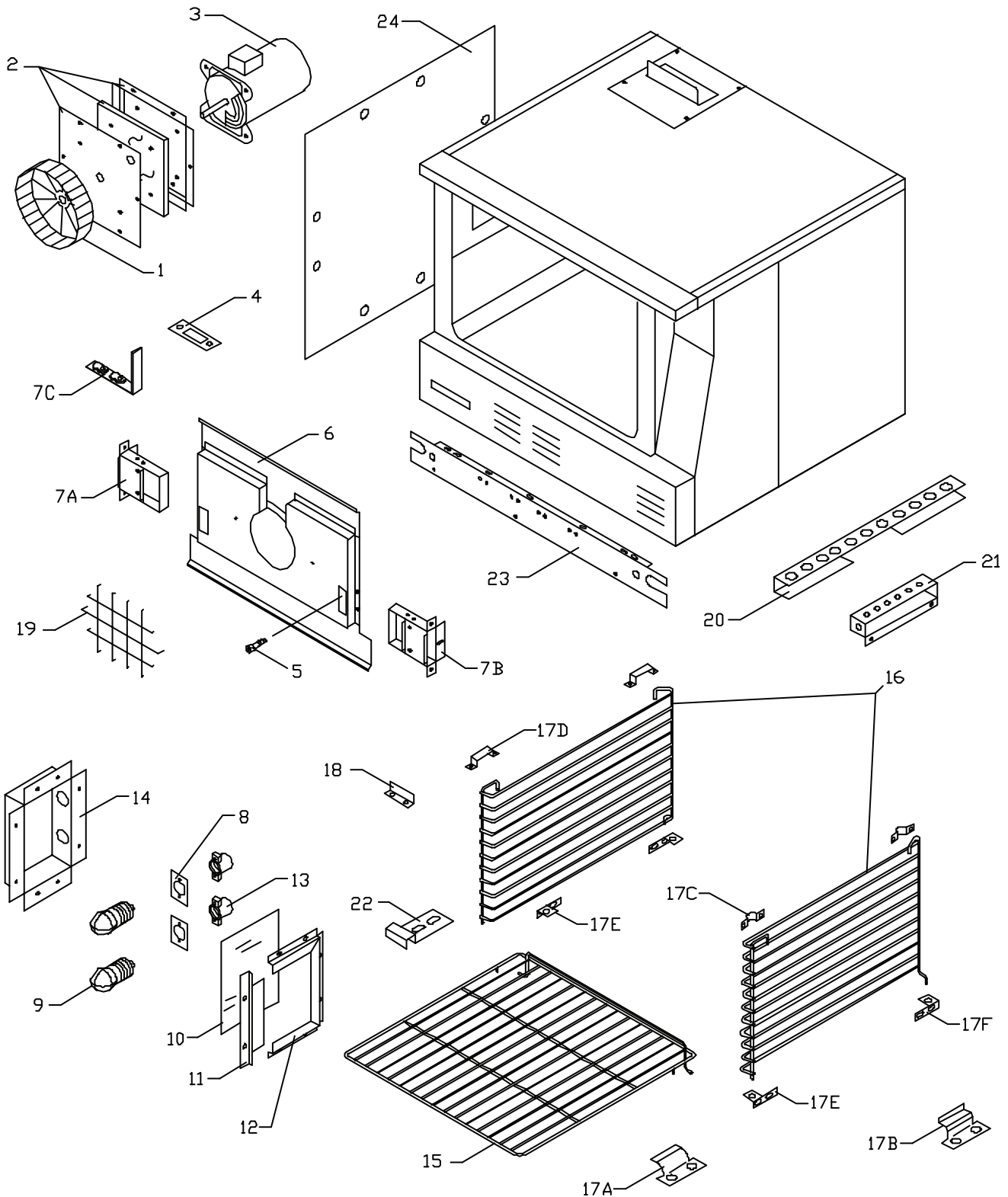
#### Complete Door Assembly Part Number

CK1803789-A	Lt Door Ass'y W/Window, Welded Cam 1 Pc. Handle Dep. (All MCO-GS/GD Models)			
CK1803788-A	Lt Door Ass'y Solid, Welded Cam 1 Pc. Handle Dep. (All MCO-GS/GD Models)			
CK1803785-A	Rt Door Ass'y W/Window, Welded Cam 1 Pc. Handle Dep. (All MCO-GS/GD Models)			
CK1803784-A	Rt Door Ass'y Solid, Welded Cam 1 Pc. Handle Dep. (All MCO-GS/GD Models)			

\* NOT ILLUSTRATED

***RECOMMENDED STOCK PARTS***

# ***NOTES***



Oven Components CE Units

**GARLAND PARTS IDENTIFICATION**  
**Oven Components MCO-GS/GD-10 MU, EU Models-CE Units**

**Mco Models**

ITEM	PART #	DESCRIPTION	MODELS		
			MCO-GS/GD-10 MU, EU		
			QTY	FROM DATE	TO DATE
1	<b>G02952-01P</b>	<b>Blower Wheel Assembly Plated</b>	1		
2	1782198	Motor Pocket	1		
3	1686712	Motor 3/4 HP, CAP 208/240V, 2 Speed	1	Jun-97	
4	1784301	Oven Vent Cap - 40K	2		
	1784302	Oven Vent Cap - 60K	2		
	1784303	Oven Vent Cap - 80K	2		
5	8004005	Allen Head Cap Screws- 1/4 - 20	4		
6	1802999	Fan Cover, SS S/W	1		
7A	1782599	Fan Cover Duct, Left	1		
7B	1782598	Fan Cover Duct, Right	1		
7C	1785997	Fan Duct Restrictor - 80K	2		
	1785998	Fan Duct Restrictor - 60K	2		
	1785999	Fan Duct Restrictor - 40K	2		
8	1025900	Light Socket Gasket	2		
9	1623900	Light Bulb 40W	2		
10	1676901	Glass Hi Temp	1		
11	1606801	Glass Frame Left	1		
12	1606802	Glass Frame	1		
13	1025800	Lamp Socket - Porcelain	2		
14	1678701	Light Box	1		
15	1607000	Master Conv Oven Rack- Standard 23" x 28"	6		
	1607010	Master Conv Oven Rack - Deep 27" x 28"	6		
16	1607001	Oven Rack Guide - Standard 23" x 28"	2		Feb-97
	1704531	Oven Rack Guide 10 Pos. Left - 21" x 23"	1	Feb-97	
	1704532	Oven Rack Guide 10 Pos. Right - 21" x 23"	1	Feb-97	
	1704511	Oven Rack Guide 13 Pos. Standard - 24" x 20"	2		Feb-97
	1704535	Oven Rack Guide 13 Pos. Left - 20" x 23"	1	Feb-97	
	1704536	Oven Rack Guide 13 Pos. Right - 20" x 23"	1	Feb-97	
	1704502	Oven Rack Guide - Deep - 28" x 20"	2		Feb-97
	1704533	Oven Rack Guide - 10 Pos. Left -Deep - 20" x 27"	1	Feb-97	
	1704534	Oven Rack Guide - 10 Pos. Right- Deep -20" x 27"	1	Feb-97	
	1704512	Oven Rack Guide - 13 Pos. Deep - 20" x 28"	2		Feb-97
	1704537	Oven Rack Guide - 13 Pos. Left - Deep - 20" x 27"	1	Feb-97	
1704538	Oven Rack Guide - 13 Pos. Right - Deep - 20" x 27"	1	Feb-97		
17A	1317600	Rack Guide Clip	4		Jun-95
17B	1676801	Rack Guide Clip	6	Jun-95	May-96
	1676801	Rack Guide Clip	4	May-96	Feb-97
17C	1765209	Rack Mounting Clip	2	Feb-97	Sep-98
17D	1765212	Rack Clip	4	Sep-98	
17E	1765210	Lower Rack Guide Clip - A	2	Mar-97	
17F	1765211	Lower Rack Guide Clip - B	2	Mar-97	
18	1317601	Rack Guide Hold Down Bracket	2	May-97	
19	1014500	Blower Inlet Cover	1		
20	1015799	Capillary Tube Guard	1	Sep-95	Dec-98

\* NOT ILLUSTRATED

**RECOMMENDED STOCK PARTS**

**GARLAND PARTS IDENTIFICATION**  
**Oven Components MCO-GS/GD-10 MU, EU Models-CE Units**

**Mco Models**

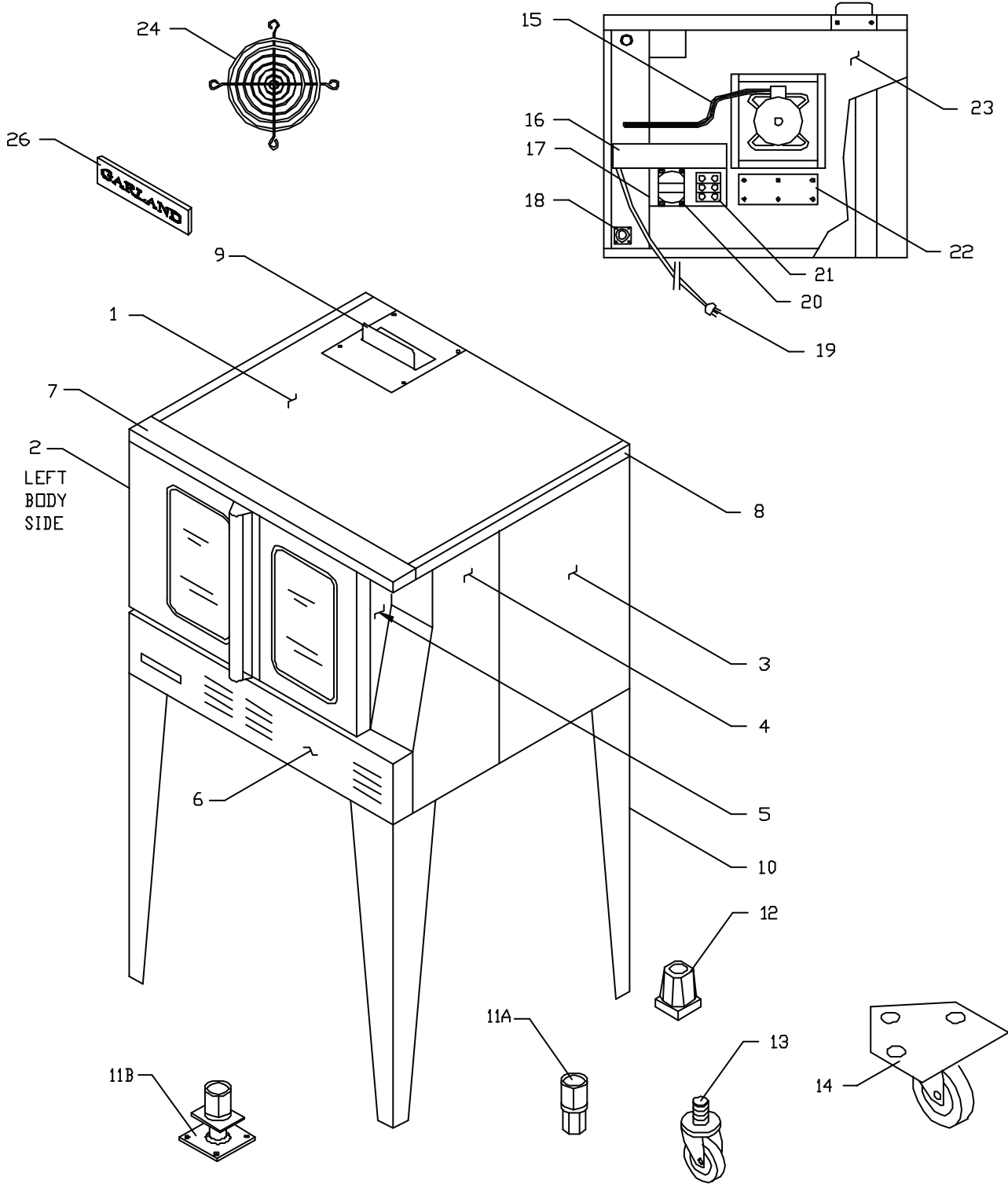
ITEM	PART #	DESCRIPTION	MODELS		
			MCO-GS/GD-10 MU, EU		
			QTY	FROM DATE	TO DATE
21	1800801	Sensing Probe Blub Shield	1	Dec-98	
22	1676811	Rack Guide Clip	2	May-96	Apr-98
23	1803813	Front Frame Hinge Channel Bottom	1		
24	1809699	Oven Light Patch – Porcelian	1		
	1809601	Oven Light Patch – SS	1		
25*	<b>CK1003091</b>	<b>Motor Ass'y – 2 Speed – 208/240V</b>			

\* NOT ILLUSTRATED

**RECOMMENDED STOCK PARTS**

## ***NOTES***

REAR VIEW



Main Exterior CE Units

**GARLAND PARTS IDENTIFICATION**  
**Main Exterior MCO-GS/GD-10 MU, EU Models-CE Units**

**MCO Models**

ITEM	PART #	DESCRIPTION	MODELS		
			MCO-GS/GD-10 MU, EU		
			QTY	FROM DATE	TO DATE
1	1802801	Main Top GG	1		
	1802802	Main Top SS	1		
2	1785402	Body Side Left SS	1		
	1785404	Body Side Left GG	1		
3	1785401	Body Side Right SS	1		
	1785403	Body Side Right GG	1		
4	1785398	Control Panel Right S/W	1		
	1785399	Control Panel Right SS S/W	1		
5	1802701	Control Panel Left	1		
6	1807201	Combustion Chamber Gas	1		
7	1802299	Trim Cap Veneer S/W	1		
8	1829101	Main Top Side Trim	2		
9	1818201	Oven Vent Prop Plt - Std	1		
	1818203	Oven Vent Prop Plt - Deep	1		
10	1805299	Leg - Single Deck - Black - 23 15/16"	4		
	1805298	Leg - Single Deck - SS - 23 15/16"	4		
	1805399	Leg - Double Deck - Black - 5"	4		
	1805398	Leg - Double Deck - SS - 5"	4		
11A	1236100	1-1/2" Square Foot Insert	4		
11B	CK1236100	Deck Fastener / Bolt-Down Leg (optional)	1 PER LEG		
12	1775102	Caster Insert - Single Deck Only	4		
13	1027500	Caster - Single Deck Only	2		
	1027501	Caster W/Brake - Single Deck Only	2		
14	1821598	Caster - Double Deck Only	2		
	1821599	Caster W/Brake - Double Deck Only	2		
	1821596	Lo-Profile Caster - Double Deck Only	2		
	1821597	Lo - Profile Caster W/Brake - Double Deck Only	2		
15	1029426	3/8 BX Cable 26" Long	1		
16	1823001	Element Wire Raceway	1		
17	1827901	Transformer Shield	1		
18	1032504	Knockout Plate	1	Sep-95	
19	1029501	8' Long Power Supply Cord	1		
20	<b>1030801</b>	<b>Transformer 240V .15 KVA (Hi Voltage Gas Units)</b>	1	9608CJ146	
	<b>1030802</b>	<b>Transformer 208V .15 KVA (Hi Voltage Gas Units)</b>	1	9608CJ146	
21	1193900	Terminal Block - # Pole Hi Voltage	1		
22	1809201	Element Patch	1		
23	1820301	Main Back Std SS	1		
	1820302	Main Back Std GG	1		
	1820303	Main Back - Deep SS	1		
	1820304	Main Back - Deep GG	1		
24	1919001	Cooling Fan Guard (Obs)	1	Mar-99	
25*	1782001	Instruction Label	1	May-96	
26	9004500	Garland Logo (Use 1902919)	1	Feb-96	Apr-98
	1902917	10" GARLAND Nameplate			

\* NOT ILLUSTRATED

**RECOMMENDED STOCK PARTS**

GARLAND PARTS IDENTIFICATION

**Revision History**

<b>REV #</b>	<b>PAGE #</b>	<b>ITEM#</b>	<b>NOTE</b>	<b>DATE</b>
1			Entire Book Reformatted	Nov 8/05
2	10,11	21	Part Number Added	Dec 20/05

# ***NOTES***

 **GARLAND**<sup>®</sup>