



Model ST288

Specification:

Gas medium duty range with (2) space saver ovens 48" (1219mm) wide (8) open top Starfire burners with extra heavy duty cast iron tops and ring grates. Stainless steel 10" (254mm) high back guard with slotted black enameled cap. Available with optional hot top(s) and/or griddle. Available with convection oven base.

Standard Features:

- Flame failure and spark ignition on all concealed burners
- Extra heavy duty cast iron top, and ring grates
- Stainless steel exterior
- 24,000 BTU/7.03 kW (natural gas) Starfire burners (4) or 20,000 BTU/5.86 kW (propane gas) Starfire burners
- 25,000 BTU/7.32 kW race track even heat oven burners
- Heavy duty "FDO" oven thermostats accurate to $\pm 10^{\circ}\text{F}$ ($\pm 5^{\circ}\text{C}$) temperature range 150°F-500°F (66°C-260°C)
- Two space saver ovens; fully porcelain interior which includes oven bottom, top, rear, embossed sides, and inside door liner.
- Removable nickel plated four position oven rack guides
- Nickel plated oven rack, (one per oven)
- 10" (254mm) high stainless steel back guard with slotted black enameled angled cap
- 6" (152mm) high, chrome steel legs w/adjustable feet
- Gas regulator
- No visible screw fixings
- Sentry safety protection on concealed burners only (S288)
- Sentry safety protection to open burners (Model ST288)
- Models with suffix "E" (i.e. ST288E) are equipped with electronic spark ignition, requires single phase 115v, 60Hz, 240v, 50Hz electrical connection
- One year limited warranty on parts and labor (USA & Canada only)

Optional Features:

- Heavy duty, 5/8" (16mm) griddle plates available in the following widths - 12" (305mm), 24" (610mm), 36" (914mm) & 48" (1219mm) standard on RHS, optional on LHS
- Hot tops 3/8" (10mm) thick-standard on LHS, optional on RHS
- Additional oven rack
- Stainless steel two piece easy to assemble backguard and plate shelf
- 17" (432mm) high stainless steel backguard
- Stainless steel main back
- 6" (152mm) stainless steel legs
- Casters

NOTE: Ranges supplied with casters must be installed with an approved restraining device.



NOTE: CE certification applies only to ST models

Garland Commercial Industries, Inc.
 185 East South Street
 Freeland, Pennsylvania 18224
 Phone: (570) 636-1000
 Fax: (570) 636-3903

Garland Commercial Ranges Ltd
 1177 Kamato Road, Mississauga, Ontario
 L4W 1X4 CANADA
 Phone: 905-624-0260
 Fax: 905-624-5669

Enodis UK LTD
 Swallowfield Way, Hayes, Middlesex
 UB3 1DQ ENGLAND
 Telephone: 081-561-0433
 Fax: 081-848-0041



Item #: _____
 Model: S288, S288E, ST288 & ST288E
 Product Name: 48" Starfire Sentry Series
 Gas Range

Input Rating Per Burner (Natural Gas)								Operating Manifold Pressure			
Open*		Hot Top**		Griddle***		Oven burner		Natural		Propane	
BTU	kW	BTU	kW	BTU	kW	BTU	kW	"WC	mbar	"WC	mbar
24,000	7.03 ea	18,000	5.27	18,000	5.27	25,000	7.32	4.5	11.2	10.0	24.9

Gas input ratings shown for installations up to 2000 ft., (610m), above sea level. Please specify altitudes over 2000 ft.

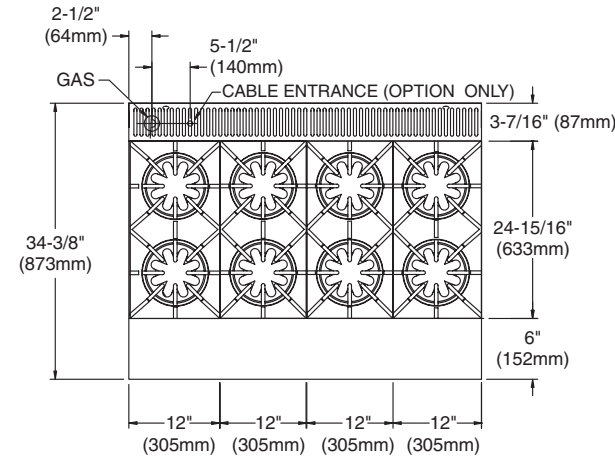
† All propane and natural gas BTU ratings are the same except for open burners (rated at 20,000BTU/5.86kW with Propane) Please specify gas type when ordering.

* Two (2) burners per 12"(305mm) section, (rated at 20,000BTU/5.86kW with Propane)

** One (1) burner per optional 12"(305mm) section, (replaces 2 open burners); add suffix: -1, -2, or -3 standard on left

*** One (1) burner per 12" (305mm) of optional griddle width, (replaces 2 open burners); add suffix:-12G, 24G, 36G or 48G, standard on right

Exterior Dimensions			Oven Interior Dimensions		
Height	Width	Depth	Height	Width	Depth
46-3/4" (1145mm)	48" (1219mm)	33" (838mm)	13-1/2" (343mm)	20-1/4" (514mm)	22" (559mm)



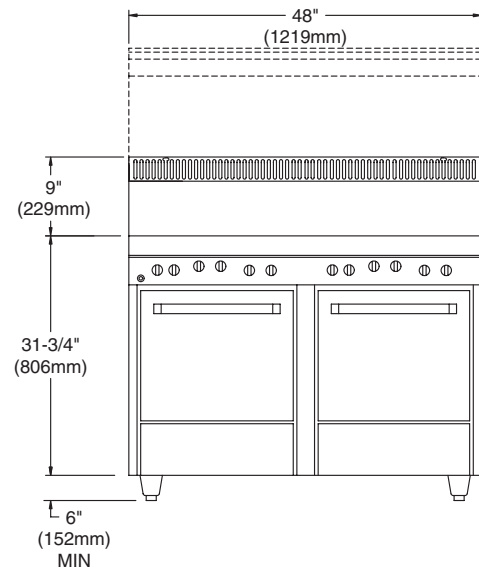
Clearances				Shipping	
Installation		Entry		Wt. Lbs/kg	Cu Ft
Sides	Rear	Crated	Uncrated		
6" (152mm)	6" (152mm)	46" (1168mm)	34" (864mm)	700/318	84.5

Suffix "E" models direct connection 120 Volt provided.

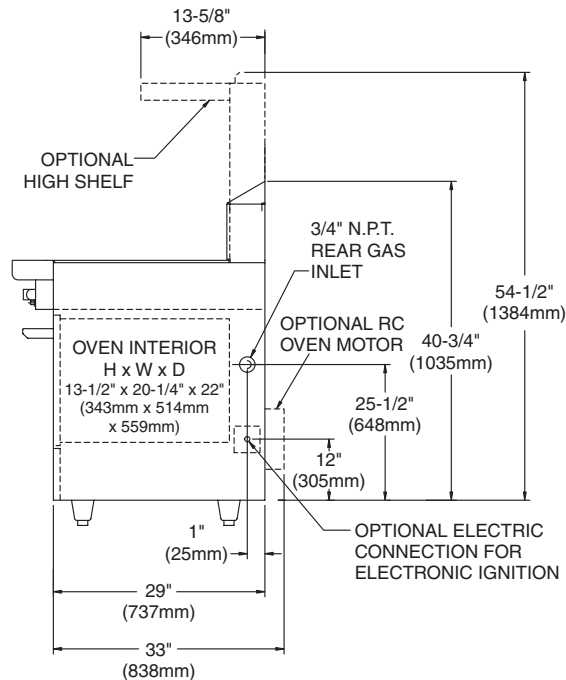
Equipment not installed to manufacturer's details or installed by unauthorized persons may void warranty.

NOTE: Installation clearance reductions are applicable only where local codes permit.

This product is not approved for residential use.



NOTE: NOT AVAILABLE FOR DAIS MOUNTING. DO NOT INSTALL OR MOUNT ON CURB OR DAIS BASE. INSUFFICIENT COMBUSTION AIR SUPPLY.



Continuous product improvement is a Garland policy.