



Item #: \_\_\_\_\_

Models: H28, H28S

Product Name: Starfire Series, 24" Wide,  
Medium Duty Gas Range



Model H28

### H28 Space Saver Oven Model & H28S Storage Base Model Specifications:

Gas medium duty range with space saver oven. 24" (610mm) wide. (4) open top Starfire burners with cast iron top and ring grates. Stainless steel front rail and valve panel. Stainless steel oven door, sides and front trim. Stainless steel backguard and plate shelf. Available with optional hot top(s) and/or griddle. Available with storage base, Model H28S. Recommended for churches, schools, cafes, and small restaurants.



<http://www.Garland-Group.com>

### Standard Features:

- Cast iron top & ring grates
- 24,000 BTU / 7.03kW, (Natural Gas) or 20,000 BTU / 5.86kW, (Propane) Starfire burners, (4)
- Stainless steel front & two sides
- Stainless steel valve panel
- Stainless steel front rail
- Stainless steel two piece easy to assemble backguard and plate shelf
- 25,000 BTU (7.32kw) oven burner
- Space saver oven; fully porcelain interior which includes oven bottom, top, rear, embossed sides, and inside door liner.
- Storage Base in lieu of oven , Model H28S
- Removable nickel plated four position oven rack guides
- Nickel plated oven rack (one per oven)
- Heavy Duty "FDO" Oven Thermostat; 150° - 500°F (66°-260° C)
- 6" (152mm) chrome steel legs with stainless steel inserts
- Gas pressure regulator
- One year limited warranty on parts & labor, (USA & Canada only)

### Optional Features:

- Black porcelain top & ring grates, (change "H" in model number to "P"), no charge
- 10" (254mm) Low profile backguard - change "BG" to "LPBG", no charge
- Celsius temperature dials, no charge
- 12" hot top section; 3/8" (10mm) thick; (add suffix -1 or -2); standard on left or specify location
- 12" or 24" griddle (manual or thermostat control), 5/8" (16mm) thick, working depth 20-1/2" (521mm); standard on right or specify location
- Additional oven rack
- Stainless steel legs, set of (4)
- Set of (4) casters with front (2) locking

NOTE: Ranges supplied with casters must be installed with an approved restraining device.

GARLAND GAS

Starfire Series 24" Medium Duty Gas Range

Model: H28

Garland Commercial Industries, Inc.  
185 East South Street  
Freeland, Pennsylvania 18224  
Phone: (570) 636-1000  
Fax: (570) 636-3903

Garland Commercial Ranges Ltd  
1177 Kamato Road, Mississauga, Ontario  
L4W 1X4 CANADA  
Phone: 905-624-0260  
Fax: 905-624-5669

Enodis UK LTD  
Swallowfield Way, Hayes, Middlesex  
UB3 1DQ ENGLAND  
Telephone: 081-561-0433  
Fax: 081-848-0041



Item #: \_\_\_\_\_  
 Models: H28, H28S  
 Product Name: Starfire Series, 24" Wide,  
 Medium Duty Gas Range

Input Rating Per Burner (Natural Gas) †								Operating Manifold Pressure			
Open*		Hot Top**		Griddle***		Oven		Natural		Propane	
BTU	kW	BTU	kW	BTU	kW	BTU	kW	"WC	mbar	"WC	mbar
24,000	7.03	18,000	5.27	18,000	5.27	25,000	7.32	4.5	11	10	25

Gas input ratings shown for installations up to 2000 ft., (610m), above sea level. Please specify altitudes over 2000 ft.

† All propane and natural gas BTU ratings are the same except for open burners (rated at 20,000 BTU/5.86kW with Propane) Please specify gas type when ordering.

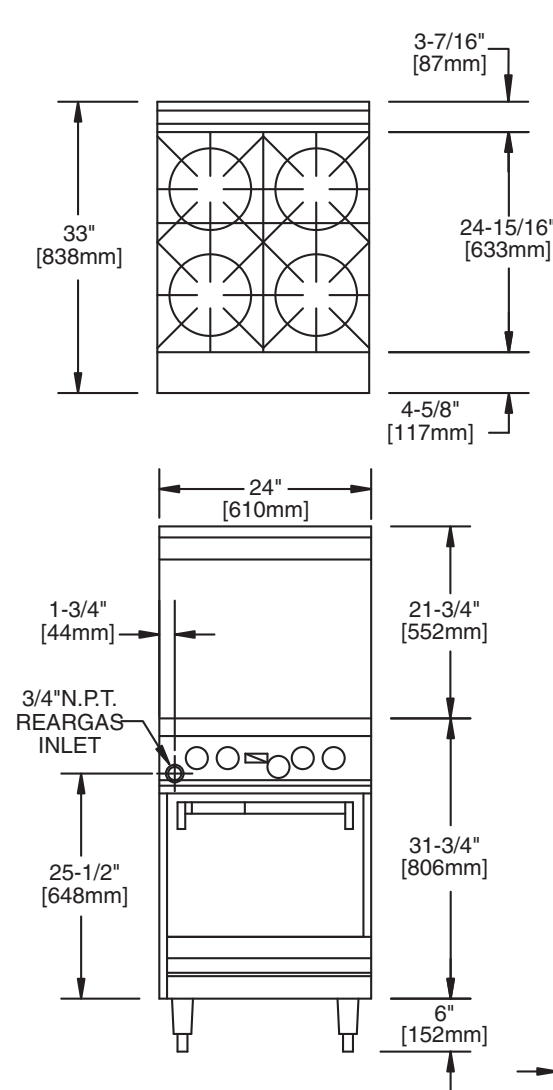
\* Two (2) burners per 12" (305mm) section,

\*\* One (1) burner per optional 12" (305mm) section, (replaces 2 open burners); add suffix: -1, or -2; standard on left

\*\*\* One (1) burner per 12" (305mm) of optional griddle width, (replaces 2 open burners); add suffix: -12G, or -24G, (valve control)/-12TH, or -24TH, (thermostat control); standard on right

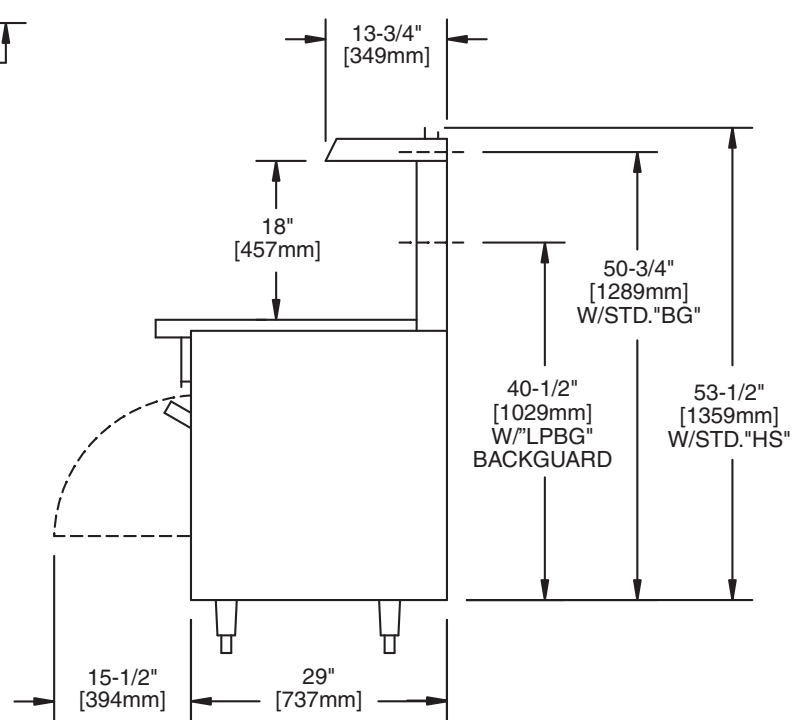
Exterior Dimensions: In(mm)			Oven Interior Dimensions In(mm)			Installation Clearances: In(mm)	
Height w/shelf	Width	Depth	Height	Width	Depth	Sides	Rear
59-1/2(1511)	24(610)	33(838)	13-1/2(343)	20-1/4(514)	22(559)	6(152)	6(152)

NOTE: Installation clearance reductions are applicable only where local codes permit.



MODEL	Shipping		Entry Clearances	
	Wt. Lbs/Kg.	Cu Ft	Crated	Uncrated
H28	375/170	38	30" (762mm)	24-1/2" (622mm)
H28S	275/124	38	30" (762mm)	24-1/2" (622mm)

This product is not approved for residential use.



Continuous product improvement is a Garland policy.  
 Specifications and design are subject to change without notice.