



Item #: _____

Model: H289, H289S

Product Name: 72" Starfire Series
Medium Duty Gas Range



GARLAND® GAS

72" Starfire Series Medium Duty Range

Model # H289, H289S



Model H289

H289 Double Oven Model & H289S Single Oven & Storage Model Specifications:

Gas medium duty range with (2) full size ovens, 72" (1829mm) wide. (12) open top Starfire burners with cast iron top and ring grates. Stainless Steel front rail and valve panel. Stainless Steel oven doors and center column. Stainless Steel backguard and plate shelf. Available with optional hot top(s) and/or griddle. Available with convection oven base(s) or storage base (on right), H286S. Recommended for churches, schools, cafes, and small restaurants.



Standard Features:

- Cast iron top and ring grates
- 24,000 BTU / 7.03kW, (Natural Gas) or 20,000 BTU / 5.86kW, (Propane) Starfire burners, (12)
- Stainless steel front & two sides
- Stainless steel valve panel
- Stainless steel front rail
- Stainless steel two piece easy to assemble backguard and plate shelf
- Two standard ovens; fully porcelain interior which includes oven bottom, top, rear, embossed sides, and inside door liner.
- Storage Base in Lieu of Oven, Model H289S
- Removable nickel plated four position oven rack guides
- Nickel plated oven rack, (one per oven)
- Heavy-duty "FDO" oven thermostat (150°-500°F, 66°-260°C)
- Chrome legs with stainless steel inserts
- Gas pressure regulator
- One year limited warranty on parts & labor, (USA & Canada only)

Optional Features:

- Black Porcelain Top and Ring Grates (Change "H" in model number to "P"), no charge
- 10" lo-profile backguard-change "BG" to "LPBG", no charge
- Convection oven base: for (1) CO base, add suffix RC, CO is on the left side in CO-standard oven combination; for (2) CO bases, add suffix RC2
- 12" hot top section; 3/8" (10mm) thick (add suffix -1,-2,-3,-4,-5, or -6); standard on left or specify location
- 12", 24", 36", 48", 60" or 72" griddle; (manual or thermostat Control); 5/8" (19mm) thick, working depth 20-1/2" (521mm); standard on right or specify location
- Additional oven rack
- Stainless steel legs, set of (4)
- Set of (4) casters with front (2) locking

NOTE: Ranges supplied with casters must be installed with an approved restraining device.

<http://www.Garland-Group.com>

Garland Commercial Industries, Inc.
185 East South Street
Freeland, Pennsylvania 18224
Phone: (570) 636-1000
Fax: (570) 636-3903

Garland Commercial Ranges Ltd
1177 Kamato Road, Mississauga, Ontario
L4W 1X4 CANADA
Phone: 905-624-0260
Fax: 905-624-5669

Enodis UK LTD
Swallowfield Way, Hayes, Middlesex
UB3 1DQ ENGLAND
Telephone: 081-561-0433
Fax: 081-848-0041



Item #: _____
 Model: H289, H289S
 Product Name: 72" Starfire Series
 Medium Duty Gas Range

Input Rating Per Burner (Natural Gas)†								Operating Manifold Pressure			
Open*		Hot Top**		Griddle***		Oven		Natural		Propane	
BTU	kW	BTU	kW	BTU	kW	BTU	kW	"WC	mbar	"WC	mbar
24k	7.03	18k	5.27	18k	5.27	30k	8.78	4.5	11	10	25

Gas input ratings shown for installations up to 2000 ft., (610m), above sea level. Please specify altitudes over 2000 ft.

† All propane and natural gas BTU ratings are the same except for open burners (rated at 20,000BTU/5.86kW with Propane) Please specify gas type when ordering.

* Two (2) burners per 12" (305mm) section

** One (1) burner per optional 12" (305mm) section, (replaces 2 open burners); add suffix: -1, -2,-3,-4,-5 or-6; standard on left

*** One (1) burner per 12" (305mm)of optional griddle width, (replaces 2 open burners); add suffix: -12G,-24G,-36G,-48G,-60G,or -72G, (valve control)/-12TH,-24TH,-36TH,-48TH,-60TH, or -72TH, (thermostat control); standard on right

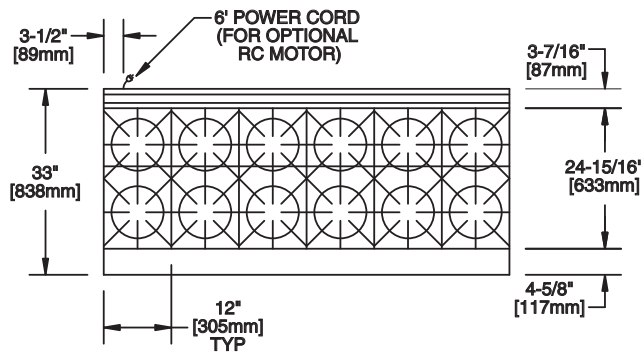
Optional Storage Base: add suffix "S" (e.g., H289S); Over all dimensions remain the same as oven base model.

Exterior Dimensions			Oven Interior Dimensions			Installation Clearances	
Height/w shelf	Width	Depth	Height	Width	Depth	Sides	Rear
62-3/4" (1594mm)	72" (1829mm)	33" (838mm)	13-1/2" (343mm)	26-1/4" (667mm)	22" (559mm)	6" (152mm)	6" (152mm)

NOTE: Installation clearance reductions are applicable only where local codes permit.

Model	Shipping		Entry Clearances	
	Wt. ¹ Lbs/Kg	Cu Ft	Crated	Uncrated
STD	1070/487	100	46" (1168mm)	34" (864mm)
RC	1120/510	100	46" (1168mm)	39" (991mm)

¹Less 150 Lb/68 Kg for Model H289S STD and RC



Installation notes: For RC oven add 5" (127mm) to overall depth. Electric characteristics each RC oven: 1/3 HP motor; 120VAC, Single phase, 3.4 Amps (RC2 Model - 6.8 Amps). (6Ft./1829mm power supply cord provided.).

This product is not approved for residential use.

