



*Model M48-45R*

### Specification:

Heavy duty gas ranges with ovens, three models: M47-45R, 45"(1143mm) griddle and 4 open burners; and M47-68R, 68" (1727mm) griddle, both 68" (1727mm) wide and M47-51R, 51" (1295mm) griddle, 51" (1295mm) wide. Griddle valve controlled 1" (25mm) thick, bordered side and rear continuous welded stainless steel splashguard. 228,000, 132,000, or 198,000 BTU (66.7kW, 38.6kW, or 58.0kW) total. 38" (965mm) deep, including 7-1/2" (191mm) deep stainless steel front rail. Porcelain enamel oven interior measuring 26-1/4" (667mm) wide x 13-1/2" (343mm) high x 29" (737mm) deep. 40,000 BTU (11.72kW) cast iron oven burner. Models M47-45R & M47-68R have 2 ovens, model M47-51R has only one oven with 17" (432mm) wide storage base on right. Stainless steel front with black powder coat epoxy sides. See chart for total BTU loading per model. Natural or propane gas. CSA, C/US certified and NSF listed. MST prefix models MST47-51 and MST47-68 carry CE Mark for Europe. (Series models also available with 34"(864mm) storage base(s) with doors in lieu of oven(s), Model M47S, and modular top, Model M47T. (M48 Series models have thermostat controlled griddles).

### Standard Features:

- Stainless Steel Front, black powder coat epoxy side.
- 6" (152mm) chrome steel adjustable legs
- 7-1/2" (191mm) stainless steel front rail
- 1" (25 mm) thick steel griddle plate on left
- 2-5/16" (91mm) high welded steel splashguards, sides and back
- Clip-on stainless steel backsplash
- Removable front-mounted stainless steel grease receptacle
- Piezo Spark ignition for oven
- Fully porcelainized oven interior
- Storage base interior of aluminized steel
- 40,000 BTU (11.7kW) natural gas, 35,000 BTU (10.25kW) propane gas cast iron oven burner
- One Year limited parts & labor warranty (USA & Canada)

### Optional Features:

- Stainless steel left, right or both, sides or main back
- Stainless steel common front rail up to 68" (1728mm) wide (two or more units in at battery)
- Fully grooved griddle (or grooved sections)
- Stainless steel oven interior
- Convection oven base, add C to model #, e.g. M47-51RC
- Additional oven rack
- Rear gas connection, 3/4" or 1" NPT.
- End caps and cover (no charge) - Must specify
- Swivel casters (4) with front brakes
- polyurethane non-marking swivel casters w/ front brakes
- 6" (152mm) stainless steel adjustable legs
- 4" (102mm) chrome steel adjustable legs
- Toe base (not for use with RC oven base)
- Storage base shelf of aluminized or stainless steel
- Single deck stainless steel tubular high shelf
- Double deck stainless steel tubular high shelf
- 10" (354 mm) high stainless steel backguard
- 17" (432mm) high stainless steel backguard
- 33" (838mm) high stainless steel backguard
- Stainless steel vertical flue riser, 13"W x 33"H, (330mm x 839mm)
- MST- model prefix-Sentry total flame failure protection on all burners, e.g. MST47-51 RC
- E- model suffix- electric spark ignition on all pilots for MS models only, e.g. MST47-51 R-E
- 230 volt, 50 cycle components, RC motor and/or electric ignition (export)
- Celsius dial for oven thermostat (no charge)

NOTE: Ranges supplied with casters must be installed with an approved restraining device.



**Garland Commercial Industries, Inc.**  
 185 East South Street  
 Freeland, Pennsylvania 18224  
 Phone: (570) 636-1000  
 Fax: (570) 636-3903

**Garland Commercial Ranges Ltd**  
 1177 Kamato Road, Mississauga, Ontario  
 L4W 1X4 CANADA  
 Phone: 905-624-0260  
 Fax: 905-624-5669

**Enodis UK LTD**  
 Swallowfield Way, Hayes, Middlesex  
 UB3 1DQ ENGLAND  
 Telephone: 081-561-0433  
 Fax: 081-848-0041



Item #: \_\_\_\_\_  
 Model: M47 or M48-45R/S/T, -51 R/S/T, -68R/S/T  
 Product Name: Master Series Griddle Top Ranges

Product	Width: In(mm)	Depth: In(mm)	Height: In(mm) (w/ NSF Legs)	Height: In(mm) (w/o NSF Legs)	Oven/Storage Base Interior: in(mm)		
					Width	Depth	Height
M47-45,68R	68(1727)	38(965)	36-3/8(924)	30-3/8(772)	26-1/4(667)	29(737)**	13-1/2(343)
M47-51R	51(1295)	38(965)	36-3/8(924)	30-3/8(772)	26-1/4(667)	29(737)**	13-1/2(343)
M47-45,68S	68(1727)	38(965)	36-3/8(924)	30-3/8(772)	26(665)	30-1/2(773)	20-1/2(519)
M47-51S	51(1295)	38(965)	36-3/8(924)	30-3/8(772)	26(665)	30-1/2(773)	20-1/2(519)
M47-45,68T	68(1727)	38(965)	36-3/8(924) w/stand	9-1/2 (241) w/o stand*	N/A	N/A	N/A
M47-51T	51(1295)	38(965)	36-3/8(924) w/stand	9-1/2 (241) w/o stand*	N/A	N/A	N/A

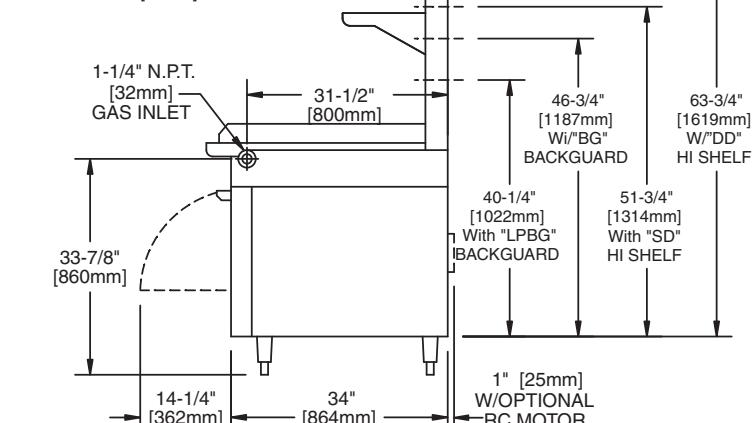
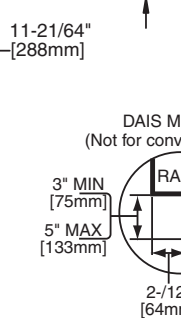
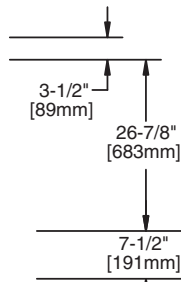
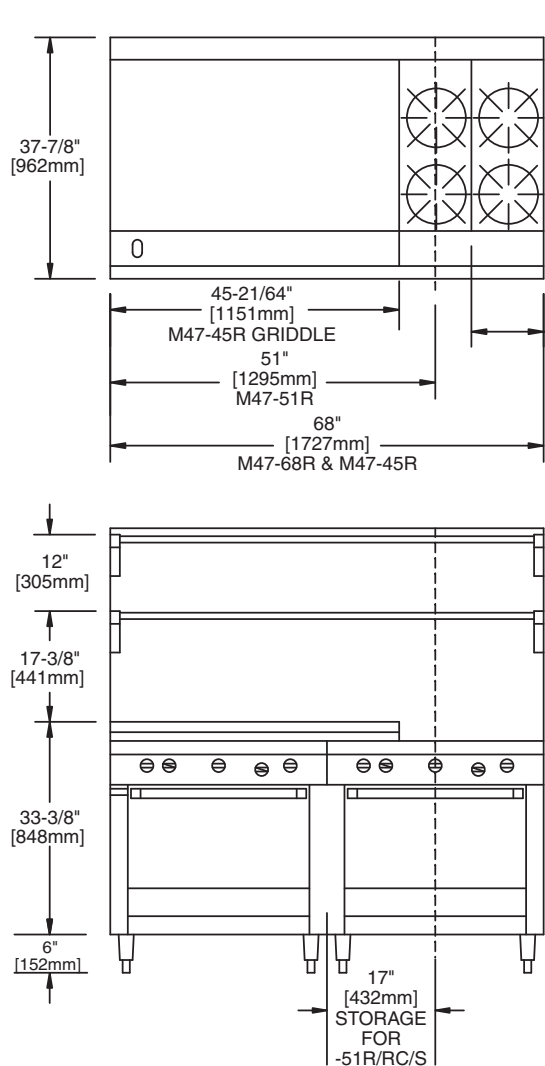
\*Modular top has 1-1/2" seating flanges. \*\*RC oven is 25" (635mm) deep

INPUT (Nat. Gas) BTU/Hr x 1000(Kw)	M47-45R	M47-51R	M47-68R	M47-45S/T	M47-51S/T	M47-68S/T
Top Section	228 (66.78)	132 (38.66)	198(58.00)	228 (66.79)	132 (38.67)	198(58.00)
Oven(s)*** 1 burner each	80 (23.44)	40 (11.72)	80(23.44)	—	—	—
Total	308(90.23)	172(50.39)	278(81.44)	228 (66.79)	132(38.67)	198(58.00)

RC=Range w/Convection Oven R=Range w/Oven S=Range w/Storage Base T=Modular Top

\*\*\* Oven rated 35,000 BTU (10.25kW) for Propane Gas, Convection oven rated 37,000 BTU (10.84kW) Natural Gas

INSTALLATION NOTES			Shipping Wt: (Lb/Kg)	
Combustible Wall Clearances <sup>1</sup> Sides: 11" (279mm) Back: 6" (152mm)	Entry Clearances Crated: 39-1/4" (997mm) Uncrated: 34-1/4" (870mm)	Operating Pressure Natural: 6" WC (15mbar) Propane: 10" WC (25mbar)	M47-45,51,68R	1160/527
			M47-45,51,68S	980/445
			M47-45,51,68T	800/364



<sup>1</sup>NOTE: Installation clearance reductions are applicable only where local codes permit.

Data applies only to North America

Gas input ratings shown here are for installations up to 2,000 ft. (610m) above sea level. Specify altitudes over 2,000 ft.

Electrical characteristics each RC oven: 1/3 HP motor, 120 VAC, single phase, 3.4 amps, 6 ft. (1.8m) power supply cord provided. 230 VAC export is direct connect, single phase, 50 Hz.

Please specify gas type when ordering.

Continuous product improvement is a Garland policy. Specifications and design are subject to change without notice.

Printed in USA

Form #M47,M48-45R/S/T-51R/S/T-68R/S/T (12/05)