



Model M47-23R

Specification:

Heavy duty gas ranges with ovens, two models M4723R, M48-23R, combination top, one 23" (548mm) wide x 25" (635mm) deep x 1" (25mm) thick griddle, valve or thermostat controlled, bordered side and rear continuous welded stainless steel splash guards, 66,000 BTU (19.3kW) total, on left only, and two 24,000 BTU (7.0 kW) Starfire open burners. Heavy duty cast iron top grates/ring grates, 34" (864mm) wide x 38" (965mm) deep, including 7-1/2" (191mm) deep stainless steel front rail. Porcelain enamel oven interior measuring 26-1/4" (667mm) wide x 13-1/2" (343mm) high x 29" (737mm) deep. 40,000 BTU (11.72kW) cast iron oven burner. Stainless steel front with black powder epoxy sides. 154,000 BTU (45.10 kW) total (natural gas). Natural or propane gas. CSA, C/US certified and NSF listed. (Also available with storage base with doors, Model M47-23S or M48-23S and modular top, Model M4723T or M48-23T)

Standard Features:

- Stainless steel front, black powder coat epoxy side.
- 6" (152mm) chrome steel adjustable legs
- 7-1/2" (191mm) stainless steel front rail
- 1" (25mm) thick steel griddle plate on left
- 2-5/16" (591mm) H welded steel splashguards, sides & back
- Clip-on stainless steel backsplash
- Removable front-mounted stainless steel grease receptacle
- Two (2) 24,000 BTU (7kW) natural gas, 20,000BTU (5.86kW) propane gas Starfire burners per section.
- Removable ring grates over each burner
- One-piece stainless steel drip tray
- Two (2) 33,000 BTU (9.67kW) "H" burners
- Fully porcelainized oven interior
- Piezo Spark ignition for oven
- 40,000 BTU (11.72kW) natural gas, 35,000 BTU (10.25kW) propane gas cast iron oven burner
- 1 year limited parts and labor warranty (USA & Canada only)

Optional Features:

- Stainless steel left, right or both sides or main back
- Stainless steel common front rail up to 68" (1728mm) wide (two or more units in a battery)
- Thermostatically controlled griddle, (450° F max.) on models M48-23R, M48-23S and M48-23T
- Fully grooved griddle (or grooved sections)
- Stainless steel oven interior
- Convection oven base, add C to model #, e.g. M47-23RC
- Additional oven rack
- Rear gas connection, 3/4" or 1" NPT
- End caps and cover (no charge) - Must specify
- Swivel casters (4) with front brakes
- Polyurethane non-marking swivel casters w/ front brakes
- 6" (152mm) stainless steel adjustable legs
- 4" (102mm) chrome steel adjustable legs
- Storage base shelf of aluminized or stainless steel
- Single deck stainless steel tubular high shelf
- Double deck stainless steel tubular high shelf
- 10" (254 mm) high stainless steel backguard
- 17" (432mm high stainless steel backguard
- 33" (838mm) high stainless steel backguard
- Stainless steel vertical flue riser, 13"W x 33"H, (330mm x 839mm)
- 230 volt, 50 cycle components, RC motor and/or electric ignition (export)
- Celsius dial for oven thermostat (no charge)

NOTE: Ranges supplied with casters must be installed with an approved restraining device.



Garland Commercial Industries, Inc.
 185 East South Street
 Freeland, Pennsylvania 18224
 Phone: (570) 636-1000
 Fax: (570) 636-3903

Garland Commercial Ranges Ltd
 1177 Kamato Road, Mississauga, Ontario
 L4W 1X4 CANADA
 Phone: 905-624-0260
 Fax: 905-624-5669

Enodis UK LTD
 Swallowfield Way, Hayes, Middlesex
 UB3 1DQ ENGLAND
 Telephone: 081-561-0433
 Fax: 081-848-0041



Item #: _____
 Models: M47-23R,S,T M48-23R,S,T
 Product Name: Master Series Combination Griddle
 Top & Open Burner Top Range

Product	Width: In(mm)	Depth: In(mm)	Height: In(mm) (w/ NSF Legs)	Height: In(mm) (w/o NSF Legs)	Oven/Storage Base: in(mm)		
					Width	Depth	Height
M47-23R	34(864)	38(965)	36-3/8(924)	30-3/8(772)	26-1/4(667)	29(737)**	13-1/2(343)
M47-23S	34(864)	38(965)	36-3/8(924)	36-3/8(924)	26(665)	30-1/2(773)	20-1/2(519)
M47-23T	34(864)	38(965)	36-3/8(924) w/stand	9-1/2 (241) w/o stand*	N/A	N/A	N/A

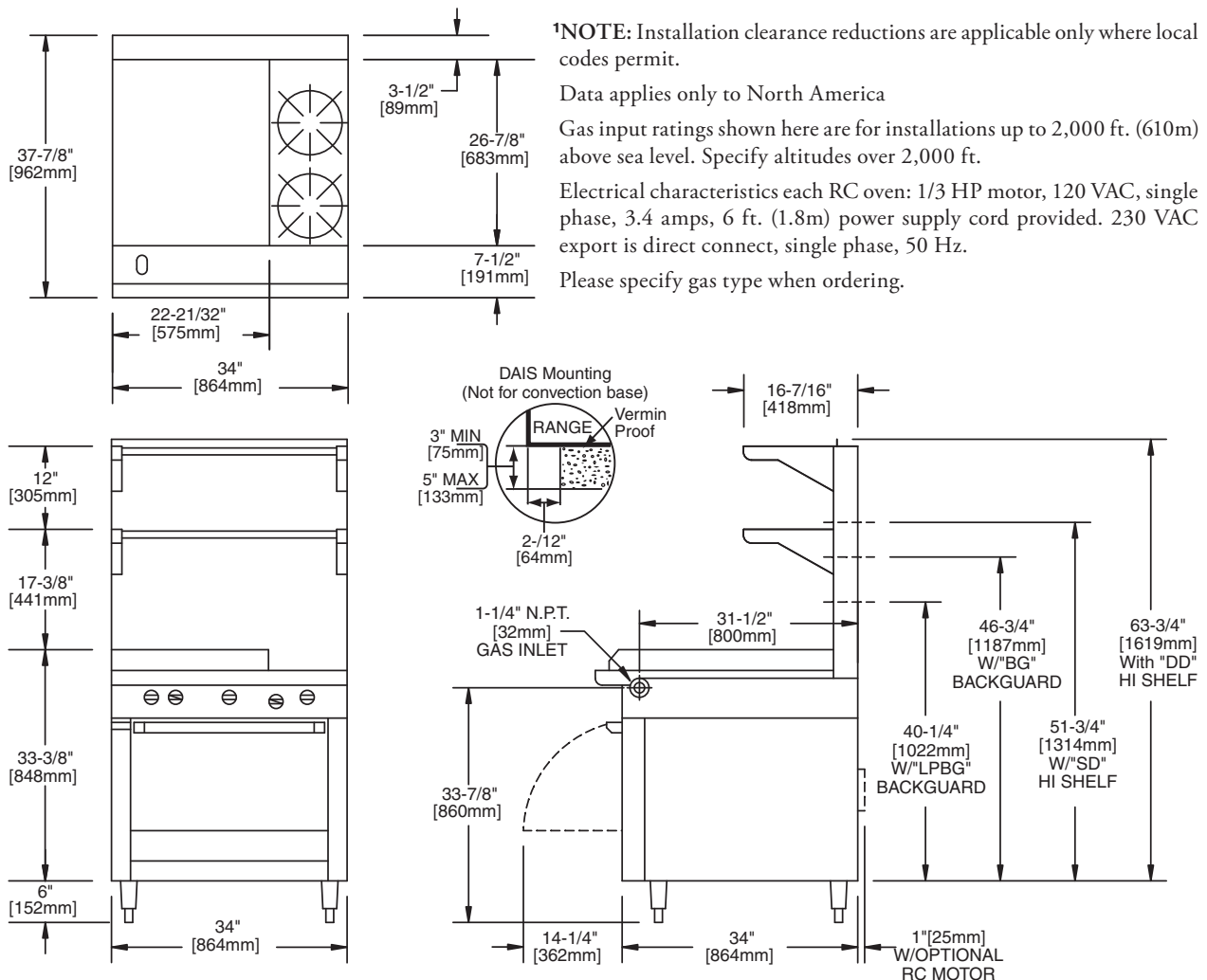
*Modular top has 1-1/2" seating flanges. **RC oven is 25" (635mm) deep .

INPUT-BTU/hr (Natural Gas)	M47-23R	M47-23RC	M47-23S & M47-23T
2 Open Burners (24,000BTU ea.)***	48,000 (14.06kW)	48,000 (14.06kW)	48,000 (14.06kW)
Griddle	66,000 (19.34kW)	66,000 (19.34kW)	66,000 (19.34kW)
Oven***	40,000 (11.72kW)	37,000 (10.84kW)	N/A
TOTAL	154,000 (45.12kW)	151,000 (44.24kW)	114,000 (33.40kW)

RC=Range w/Convection Oven R=Range w/Oven S=Range w/Storage Base T=Modular Top

*** Open Top Burner rated 20,000 BTU (5.86kW) and Oven Rated 35,000 BTU (10.25kW) for Propane gas

INSTALLATION NOTES			Shipping Wt: (Lb/Kg)	
Combustible Wall Clearances ¹	Entry Clearances	Operating Pressure	M47-23R	1160/527
Sides: 14" (356mm) Back: 6" (152mm)	Crated: 39-1/4" (997mm) Uncrated: 34-1/4" (870mm)	Natural: 6" WC (15mbar) Propane: 10" WC (25mbar)	M47-23S	980/445
			M47-23T	800/364



Continuous product improvement is a Garland policy.