



*Model MST4S*

### Specification:

Heavy-duty gas range attachment with storage base, Model M4S. Two (2) 35,000 BTU (10.25 kW) two piece Starfire burners. Heavy-duty cast iron top grate/ring grates. 17" (432mm) wide x 38" (965mm) deep, including 7-1/2" (191 mm) deep stainless steel front rail. Stainless steel front, including storage base door, with black powder coat epoxy sides. 70,000 BTU (20.51 kW) total. Natural or propane gas. CSA, C/US certified and NSF listed. MST prefix - models carry CE mark for Europe. (Also available as modular top, Model M4T).

### Standard Features:

- Stainless steel front: black powder coat epoxy side
- Stainless steel door
- 6" (152mm) chrome steel adjustable legs
- 7-1/2" (191mm) stainless steel front rail
- Two (2) 35.000 BTU (10.25 kW), (natural gas) two -piece Starfire burners with removable heads
- Removable ring grate bowl over each burner
- Cast iron top grates
- One piece stainless steel drip tray
- Storage base interior of aluminized steel
- One year limited warranty (USA & Canada only)

### Optional Features:

- Stainless steel left, right or both side
- Stainless steel main back
- Stainless steel common front rail up to 68" (1728mm) wide (two or more units in a battery)
- Rear gas connection, 3/4" NPT
- End caps and cover (no charge) - must specify
- Swivel casters (4) w/front brakes
- Polyurethane non-marking swivel casters (4) w/front brakes
- 6" (152mm) stainless steel adjustable legs
- 4" (102mm) chrome steel adjustable legs
- Modular stand, (T model)
- Toe base, (S model)
- Storage base shelf of aluminized or stainless steel
- Single deck stainless steel tubular high shelf
- Double deck stainless steel tubular high shelf
- 10" (254mm) high stainless steel backguard
- 17" (432mm) high stainless steel backguard
- 33" (838mm) high stainless steel backguard
- MST - model prefix - Sentry total flame failure protection on all burners, e.g. MST4S, MST4T
- E-model suffix-electric spark ignition on all pilots for MST models only, e.g. MST4S-E
- 230 volt, 50 cycle components electric ignition (export)

NOTE: Attachments supplied with casters must be installed with an approved restraining device.



Garland Commercial Industries, Inc.  
 185 East South Street  
 Freeland, Pennsylvania 18224  
 Phone: (570) 636-1000  
 Fax: (570) 636-3903

Garland Commercial Ranges Ltd  
 1177 Kamato Road, Mississauga, Ontario  
 L4W 1X4 CANADA  
 Phone: 905-624-0260  
 Fax: 905-624-5669

Enodis UK LTD  
 Swallowfield Way, Hayes, Middlesex  
 UB3 1DQ ENGLAND  
 Telephone: 081-561-0433  
 Fax: 081-848-0041



Item #: \_\_\_\_\_  
 Model: M4S, M4T  
 Product Name: Master Series Open Burner Range Attachment

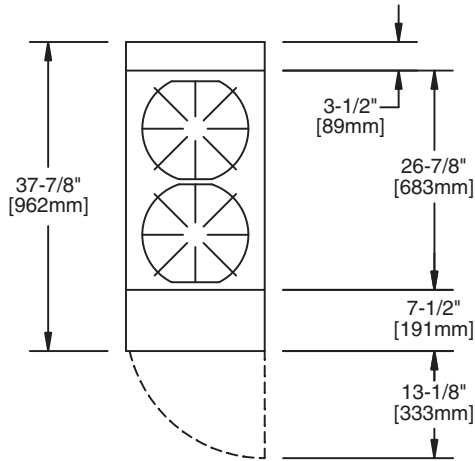
Product	Width: In(mm)	Depth: In(mm)	Height: In(mm) (w/ NSF Legs)	Height: In(mm) (w/o NSF Legs)	Storage Base Interior: in(mm)		
					Width	Depth	Height
M4S	17(432)	38(965)	36-3/8(924)	30-3/8(772)	14(356)	32-1/2(826)	20-1/2(519)
M4T	17(432)	38(965)	36-3/8(924) w/stand	9-1/2(241) w/o stand*	N/A	N/A	N/A

\*Modular top has 1-1/2" seating flanges.

INPUT-BTU/hr (Natural Gas)	M4S	M4T
2 Open Burners (35,000 BTU each)	70,000 (20.51kW)	70,000 (20.51kW)

S=Range w/Storage Base T=Modular Top

INSTALLATION NOTES			Shipping Wt: (Lb/Kg)
<b>Combustible Wall Clearances <sup>1</sup></b>	<b>Entry Clearances</b>	<b>Operating Pressure</b>	
Sides: 14" (356mm) Back: 6" (152mm)	Crated: 22 1/4" (565mm) Uncrated: 17-1/4" (438mm)	Natural: 6" WC (15mbar) Propane: 10" WC (25mbar)	

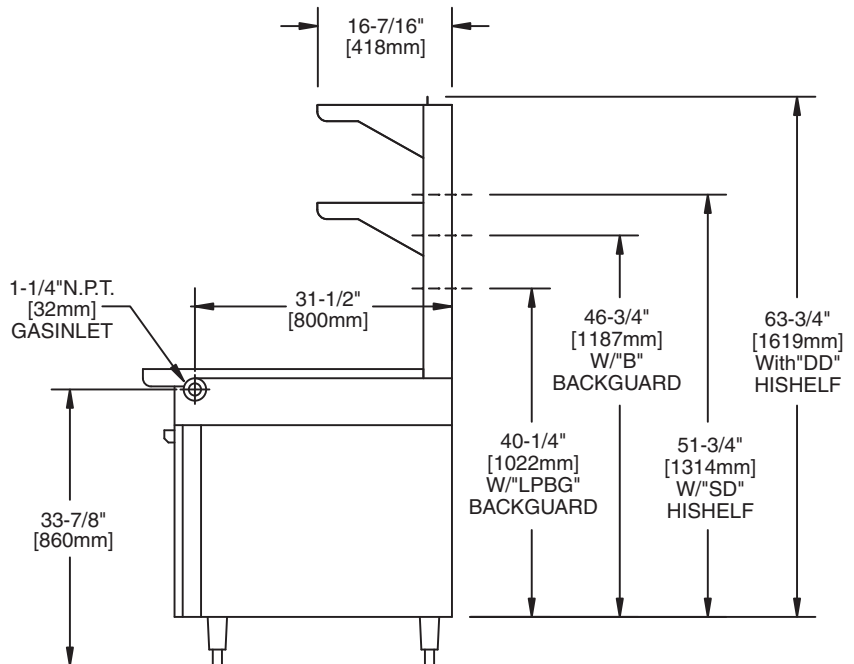
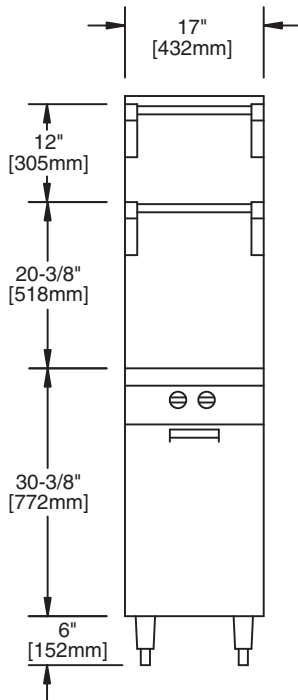


<sup>1</sup>NOTE: Installation clearance reductions are applicable only where local codes permit.

Data applies only to North America

Gas input ratings shown here are for installations up to 2,000 ft. (610m) above sea level. Specify altitudes over 2,000 ft.

Please specify gas type when ordering.



Continuous product improvement is a Garland policy. Specifications and design are subject to change without notice.

Printed in USA

Form # M4S, M4T (12/05)