



Model M2R

Specification:

Heavy duty gas range match general purpose oven, Model #M1R, single deck with stainless steel work top and Model #M2R double deck. Ovens manifold and battery with Master Series cooking units. 34" (864mm) wide x 38" (965mm) deep. Porcelain enamel oven interior measuring 26-1/4" (667mm) wide x 13-1/2" (343mm) high x 29" (737mm) deep. 40,000 BTU (11.72kW) cast iron oven burner. Stainless steel front with black powder coat epoxy sides. 40,000 BTU (11.72kW) total single deck, and 80,000 BTU (23.44kW) total double deck. Natural or propane gas. CSA, C/US certified and NSF listed.

Standard Features:

- Stainless steel front, black powder coat epoxy sides.
- 6" (152mm) chrome steel adjustable legs
- Piezo Spark ignition for oven
- 40,000 BTU (11.72kW) natural gas, 35,000 BTU (10.25kW) propane gas cast iron oven burner
- Fully porcelainized oven interior
- One year limited parts and labor warranty (USA and Canada only)

Optional Features:

- Stainless steel left, right or both sides or main back
- Stainless steel oven interior
- Convection oven base, add C to model #, e.g. M1RC, M2RC (Note: Lower oven only convection, top oven standard on model M2RC)
- Additional oven rack
- Rear gas connection, 3/4" or 1-1/4" NPT
- End caps and cover (no charge) - Must specify
- Swivel casters (4) with front brakes
- Polyurethane non-marking swivel casters w/front brakes
- 6" (152mm) stainless steel adjustable legs
- 4" (102mm) chrome steel adjustable legs
- Toe base (not for use with RC oven base)
- 230 volt, 50 cycle components, RC motor (export)
- Celsius dial for oven thermostat (no charge)

NOTE: Ranges supplied with casters must be installed with an approved restraining device.



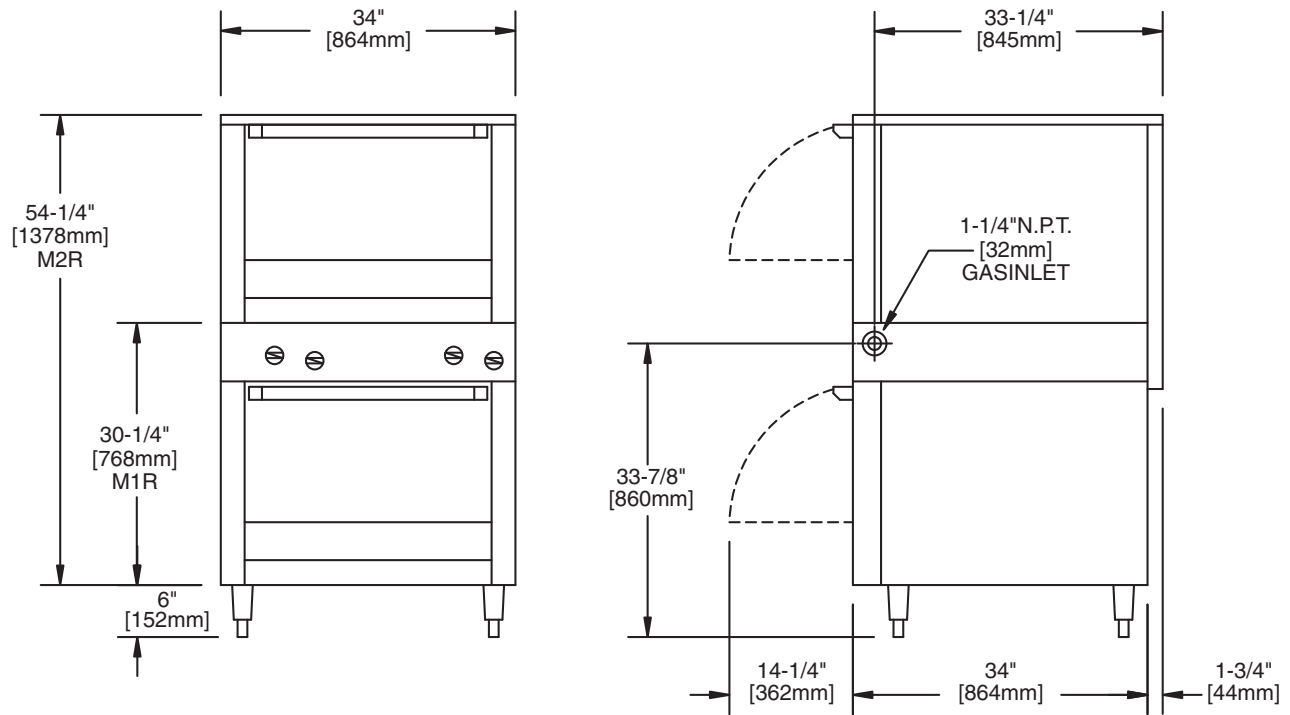
Garland Commercial Industries, Inc.
 185 East South Street
 Freeland, Pennsylvania 18224
 Phone: (570) 636-1000
 Fax: (570) 636-3903

Garland Commercial Ranges Ltd
 1177 Kamato Road, Mississauga, Ontario
 L4W 1X4 CANADA
 Phone: 905-624-0260
 Fax: 905-624-5669

Enodis UK LTD
 Swallowfield Way, Hayes, Middlesex
 UB3 1DQ ENGLAND
 Telephone: 081-561-0433
 Fax: 081-848-0041



Item #: _____
 Model: M1R, M2R
 Product Name: Master Series Single & Stacked
 Double Oven



Product	Width: In(mm)	Depth: In(mm)	Height: In(mm) (w/ NSF Legs)	Height: In(mm) (w/o NSF Legs)	Oven Interior: in(mm)		
					Width	Depth	Height
M1R	34(864)	38(965)	36-3/8(924)	30-3/8(772)	26-1/4(667)	29(737)*	13-1/2(343)
M2R	34(864)	38(965)	60-3/8(1534)	54-3/8(1381)	26-1/2(667)	292(737)	20-1/2(519)

*RC oven is 25"(635mm) deep

INPUT-BTU/hr (Natural Gas)	M1R	M1RC	M2R	M2RC
Standard Oven**	40,000 (11.72kW)	-	80,000 (23.44kW)	40,000 (11.72kW)
Convection Oven	-	37,000 (10.84kW)	-	37,000 (10.84kW)
TOTAL	40,000 (11.72kW)	37,000 (10.84kW)	80,000 (23.44kW)	77,000 (22.56kW)

RC=Range w/Convection Oven R=Range w/Oven

** Standard Oven rated 35,000BTU (10.25kW) for Propane Gas

INSTALLATION NOTES			Shipping Wt: (Lb/Kg)
Combustible Wall Clearances ¹	Entry Clearances	Operating Pressure	M1R 480/220 M2S 480/220
Sides: 6" (152mm) Back: 6" (152mm)	Crated: 39-1/4"(997mm) Uncrated: 34-1/4" (870mm)	Natural: 6 WC (15mbar) Propane: 10 WC (25mbar)	

¹NOTE: Installation clearance reductions are applicable only where local codes permit.

Data applies only to North America

Gas input ratings shown here are for installations up to 2,000 ft. (610m) above sea level.

Specify altitudes over 2,000 ft.

Electrical characteristics each RC oven: 1/3 HP motor, 120 VAC, single phase, 3.4 amps, 6 ft. (1.8m) power supply cord provided, 230 VAC export is direct connect, single phase, 50 Hz.

Please specify gas type when ordering.