

PHOTO NOT AVAILABLE

Specification:

Heavy-duty gas range attachment with storage base, Model M6S. One (1) even-heat hot top. 17" (432mm) wide x 38" (965mm) deep, including 7 1/2" (191mm) deep stainless steel front rail. Stainless steel front, including storage base door, with black powder coat epoxy sides. 30,000 BTU (8.79 kW) total. Natural or propane gas CSA, C/US certified, and NSF listed. MST prefix -models carries CE mark for Europe. (Also available as modular top, Model M6T.)

Standard Features:

- Stainless steel front; black powder coat epoxy sides
- Stainless steel door on storage base
- 6" (152mm) chrome steel adjustable legs
- 7-1/2" (191mm) stainless steel front rail
- Extra heavy cast iron top sections
- Stainless steel burner box bottom
- Storage base interior of aluminized steel
- 17" (432mm) wide even-heat hot top steel plate
- One 30,000 BTU (8.79 kW) cast iron burner
- One year limited parts & labor warranty (USA & Canada only)

Optional Features:

- Stainless steel left, right or both sides
- Stainless steel main back
- Stainless steel common front rail up to 68" (1728mm) wide (two or more units in a battery)
- Rear gas connection, 3/4" NPT
- End caps and cover (no charge) - must specify
- Swivel casters (4) w/front brakes
- Polyurethane non-marking swivel casters (4) w/front brakes
- 6" (152mm) stainless steel adjustable legs
- 4" (102mm) chrome steel adjustable legs
- Modular stand, (T model)
- Toe base, (S model)
- Storage base shelf of aluminized or stainless steel
- Single deck stainless steel tubular high shelf
- Double deck stainless steel tubular high shelf
- 10" (254mm) high stainless steel backguard
- 17" (432mm) high stainless steel backguard
- 33" (838mm) high stainless steel backguard
- MST model prefix - Sentry total flame failure protection on all burners, e.g. MST6S, MST6T
- E-model suffix-electric spark ignition on all pilots for MST models only, e.g. MST6S-E
- 230 volt, 50 cycle components electric ignition (export)

NOTE: Ranges supplied with casters must be installed with an approved restraining device.



Garland Commercial Industries, Inc.
 185 East South Street
 Freeland, Pennsylvania 18224
 Phone: (570) 636-1000
 Fax: (570) 636-3903

Garland Commercial Ranges Ltd
 1177 Kamato Road, Mississauga, Ontario
 L4W 1X4 CANADA
 Phone: 905-624-0260
 Fax: 905-624-5669

Enodis UK LTD
 Swallowfield Way, Hayes, Middlesex
 UB3 1DQ ENGLAND
 Telephone: 081-561-0433
 Fax: 081-848-0041



Item #: _____
 Model: M6S, M6T
 Product Name: Master Series Even Heat Hot Top Range

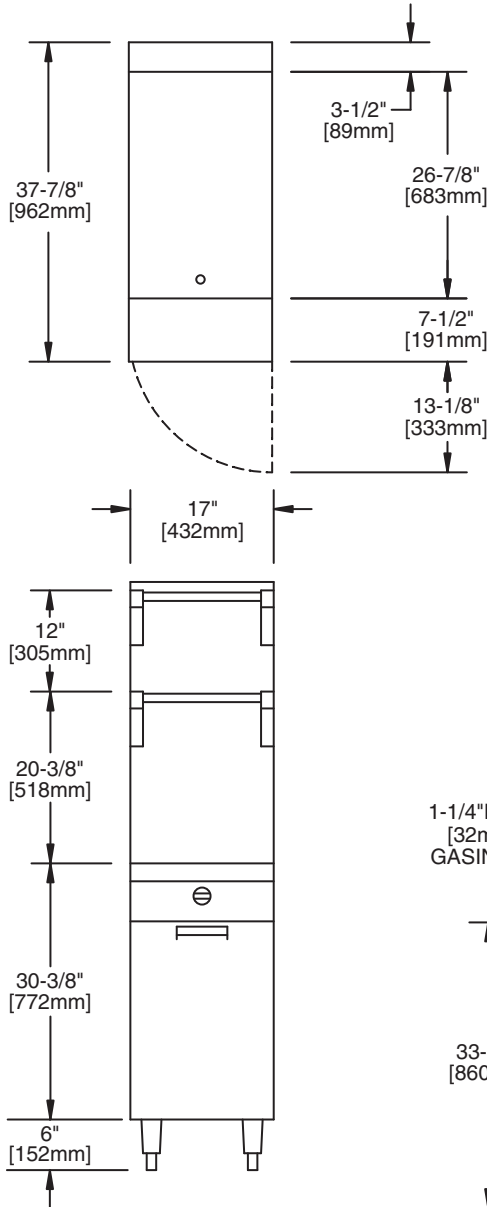
Product	Width: In (mm)	Depth: In (mm)	Height: In (mm) (w/ NSF Legs)	Height: In (mm) (w/o NSF Legs)	Storage Base Interior: in (mm)		
					Width	Depth	Height
M6S	17(432)	38(965)	36-3/8(924)	30-3/8(772)	14(356)	32-1/2(826)	20-1/2(519)
M6T	17(432)	38(965)	36-3/8(924) w/stand	9-1/2 (241) w/o stand*	N/A	N/A	N/A

*Modular top has 1-1/2" seating flanges.

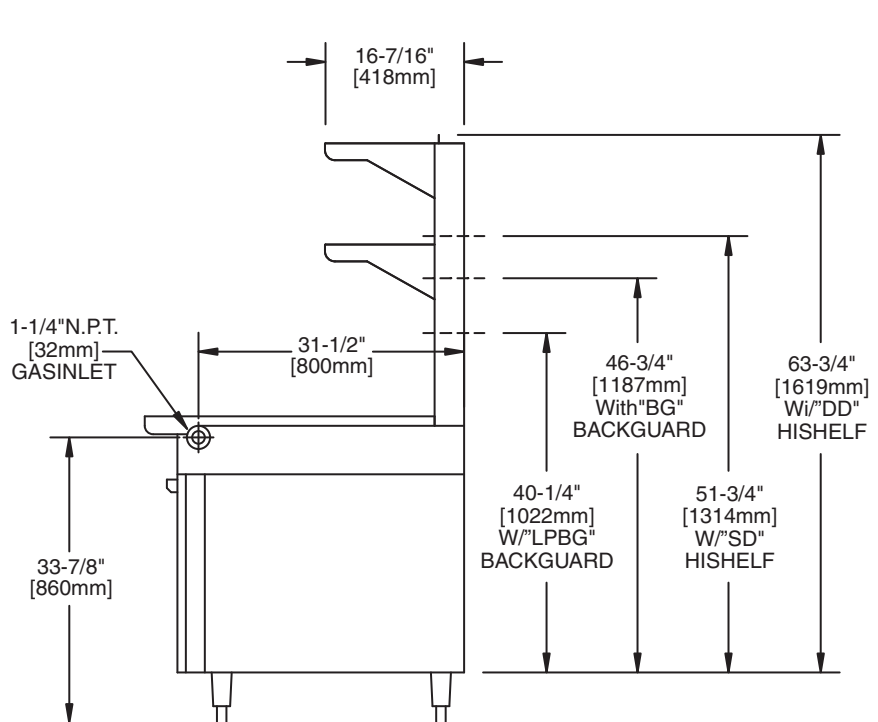
INPUT-BTU/hr (Natural Gas)	M6S	M6T
Top Sections	30,000 (8.79kW)	30,000 (8.79kW)

S=Range w/Storage Base T=Modular Top

INSTALLATION NOTES			Shipping Wt: (Lb/Kg)
Combustible Wall Clearances ¹	Entry Clearances	Operating Pressure	
Sides: 14" (356mm) Back: 6" (152mm)	Crated: 22 1/4" (565mm) Uncrated: 17-1/4" (438mm)	Natural: 6" WC (15mbar) Propane: 10" WC (25mbar)	M6S 200/91 M6T 130/59



¹NOTE: Installation clearance reductions are applicable only where local codes permit.
 Data applies only to North America
 Gas input ratings shown here are for installations up to 2,000 ft. (610m) above sea level. Specify altitudes over 2,000 ft.
 Please specify gas type when ordering.



Continuous product improvement is a Garland policy.
 Specifications and design are subject to change without notice.