



*Model M12S-6*

### Specification:

Heavy-duty gas range attachment with storage base, Model M12S-6. One (1) even-heat hot top. 12" (305mm) wide x 38" (965mm) deep, including 7½" (191mm) deep stainless steel front rail. Stainless steel front, including storage base door, with black powder coat epoxy sides. 30,000 BTU (8.79 kW) total. Natural or propane gas. CSA, C/US certified and NSF listed. (Also available as modular top, Model M 12T-6.) **Free standing units only available with flanged feet deck fasteners to anchor unit.**

### Standard Features:

- Stainless steel front; black powder coat epoxy sides
- Stainless steel door
- 6" (152mm) chrome steel adjustable Ices
- 7-1/2" (191mm) stainless steel front rail
- Extra heavy even hear cast iron top
- Stainless steel burner box bottom
- Heavy gauge aluminized steel radiation baffle system
- 30,000 BTU (8.79 kW) "H" burner
- Storage base interior of aluminized steel
- 1 Year limited parts & labor warranty (USA & Canada Only)

### Optional Features:

- Stainless steel left, right or both sides
- Stainless steel main back
- Stainless steel common front rail up to 68" (1728mm) wide (two or more units in a battery)
- End caps and cover (no charge) - must specify
- Swivel casters (4) with front brakes
- Polyurethane non-marking swivel casters (4) with front brakes
- 6" (152mm) stainless steel adjustable legs
- 4" (102mm) chrome steel adjustable legs
- Set of 4 deck fasteners (stainless steel flanged feet)
- Storage base shelf of aluminized or stainless steel
- Single deck stainless steel tubular high shelf
- Double deck stainless steel tubular high shelf
- 10" (254mm) high stainless steel backguard
- 17" (432mm) high stainless steel backguard
- 33" (838mm) high stainless steel backguard
- Celsius dial for griddle thermostat (no charge)

NOTE: Ranges supplied with casters must be installed with an approved restraining device.



**Garland Commercial Industries, Inc.**  
 185 East South Street  
 Freeland, Pennsylvania 18224  
 Phone: (570) 636-1000  
 Fax: (570) 636-3903

**Garland Commercial Ranges Ltd**  
 1177 Kamato Road, Mississauga, Ontario  
 L4W 1X4 CANADA  
 Phone: 905-624-0260  
 Fax: 905-624-5669

**Enodis UK LTD**  
 Swallowfield Way, Hayes, Middlesex  
 UB3 1DQ ENGLAND  
 Telephone: 081-561-0433  
 Fax: 081-848-0041



**GARLAND®**

Item #: \_\_\_\_\_  
 Model: M12S-6, M12T-6  
 Product Name: Master Series Even Heat Hot Top Range

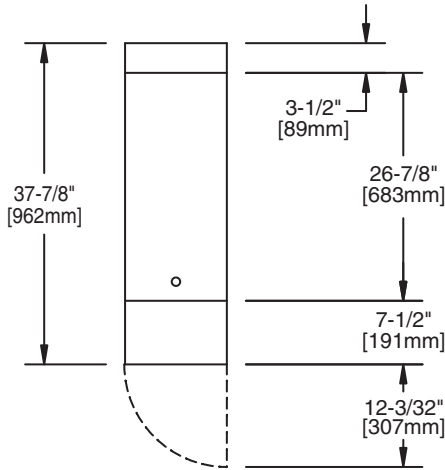
Product	Width	Depth	Height (w/ NSF Legs)	Height (w/o NSF Legs)
M12-6S	12" (305mm)	38" (965mm)	36-3/8" (924mm)	30-3/8" (772mm)
M12-6T	12" (305mm)	38" (965mm)	NA	9-1/2" (241mm)*

\*Modular top has 1-1/2" seating flanges.

INPUT-BTU/hr (Natural Gas)	M12-6S	kW Equivalent	M12-6T	kW Equivalent
Top Burner	30,000	8.79	30,000	8.79

S=Modular Top Attachment w /storage base, T=Modular Top w/o storage base (optional stand available)

INSTALLATION NOTES			Shipping Wt: (Lb/Kg)
Combustible Wall Clearances <sup>1</sup>	Entry Clearances	Manifold Operating Pressure	
Sides: 11" (280mm) Back: 6" (152mm)	Crated: 22 1/4" (572mm) Uncrated: 12-1/4" (331mm)	Natural: 6" WC (15mbar) Propane: 10" WC (25mbar)	M12-6S 160/116 M12-6T 80/36



<sup>1</sup>NOTE: Installation clearance reductions are applicable only where local codes permit.

Data applies only to North America

Gas input ratings shown here are for installations up to 2,000 ft. (610m) above sea level. Specify altitudes over 2,000 ft.

Garland/U.S. Range products are not approved or authorized for home or residential use, but are intended for commercial applications only. Garland / U.S. Range will not provide service, warranty, maintenance or support of any kind other than in commercial applications.

Please specify gas type when ordering.

