

PHOTO NOT AVAILABLE

Specification:

The 1" (25mm) thick steel griddle plate is 17" wide x 24-3/4" deep, (433mm x 629mm) and bordered by side and rear continuous-welded stainless steel splash guards. The 33,000 BTU, (9.67 kW), "H" burner controlled by a thermostat provides uniform heat. Heavy gauge aluminized steel radiation baffle requires no fire brick, heats evenly, increases thermal efficiency. Natural or propane gas. CSA, C/US certified and NSF listed. (Also available as modular top, Model M8T).



Standard Features:

- Stainless steel front; black powder coat epoxy sides
- Stainless steel door
- 6" (152mm) chrome steel adjustable legs
- 33,000 BTU, (9.67 kW), "H" type burner
- 1" (25mm) thick Steel piddle plate
- 2-5/16" (59mm) high welded stainless steel splash guards, sides back
- Clip on stainless steel backsplash for griddle plate
- Removable stainless steel grease drawer
- Thermostat control
- Aluminized steel under all cooking, surfaces
- Storage base interior of aluminized steel
- 1 year limited parts & labor warranty (USA & Canada only)

Optional Features:

- Stainless steel left, right or both sides
- Stainless steel main back
- Stainless steel common front rail up to 68" (1728mm) wide (two or more units in a battery)
- Fully grooved griddle, (or grooved section)
- Rear gas connection, 3/4" or 1" NPT
- End caps and cover (no charge) - must specify
- Swivel casters (4) w/front brakes
- Polyurethane non-marking swivel casters (4) w/front brakes
- 6" (152mm) stainless steel adjustable legs
- 4" (102mm) chrome steel adjustable legs
- Modular stand, (T model)
- Toe base, (S model)
- Storage base shelf of aluminized or stainless steel
- Single deck stainless steel tubular high shelf
- Double deck stainless steel tubular high shelf
- 10" (254mm) high stainless steel backguard
- 17" (432mm) high stainless steel backguard
- 33" (838mm) high stainless steel backguard
- Celsius dial for griddle thermostat (no charge)

NOTE: Attachments supplied with casters must be installed with an approved restraining device.

Garland Commercial Industries, Inc.
 185 East South Street
 Freeland, Pennsylvania 18224
 Phone: (570) 636-1000
 Fax: (570) 636-3903

Garland Commercial Ranges Ltd
 1177 Kamato Road, Mississauga, Ontario
 L4W 1X4 CANADA
 Phone: 905-624-0260
 Fax: 905-624-5669

Enodis UK LTD
 Swallowfield Way, Hayes, Middlesex
 UB3 1DQ ENGLAND
 Telephone: 081-561-0433
 Fax: 081-848-0041



Item #: _____
 Model #: M8S, M8T
 Product Name: Master Series Modular Thermostat
 Controlled Griddle Attachment

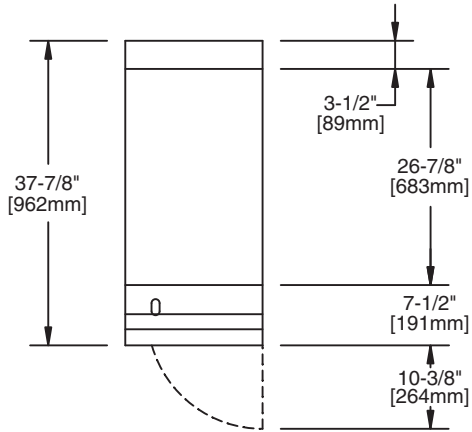
Product	Width: In(mm)	Depth: In(mm)	Height: In(mm) (w/ NSF Legs)	Height: In(mm) (w/o NSF Legs)	Shipping Wt: (Lb/Kg)
M8S	17(432)	38(965)	36-1/4(924)	30-1/2(777)	250/114
M8T	17(432)	38(965)	36-1/4(924) w/stand*	9-1/2(241) w/o stand*	190/86

*Modular top has 1-1/2" seating flanges.

INPUT SPECIFICATIONS	M8S	M8T
Input	33,000 BTU (9.67 kW)	33,000 BTU (9.67 kW)
Inlet/Manifold Size	1-1/4" NPT	1-1/4" NPT

S=Modular Top Attachment w /storage base, T=Modular Top w/o storage base (optional stand available)

INSTALLATION NOTES		
Combustible Wall Clearances ¹	Entry Clearances	Operating Pressure
Sides: 14" (356mm) Back: 6" (152mm)	Crated: 22 1/4" (565mm) Uncrated: 17-1/4" (438mm)	Natural: 6" WC (15mbar) Propane: 10" WC (25mbar)

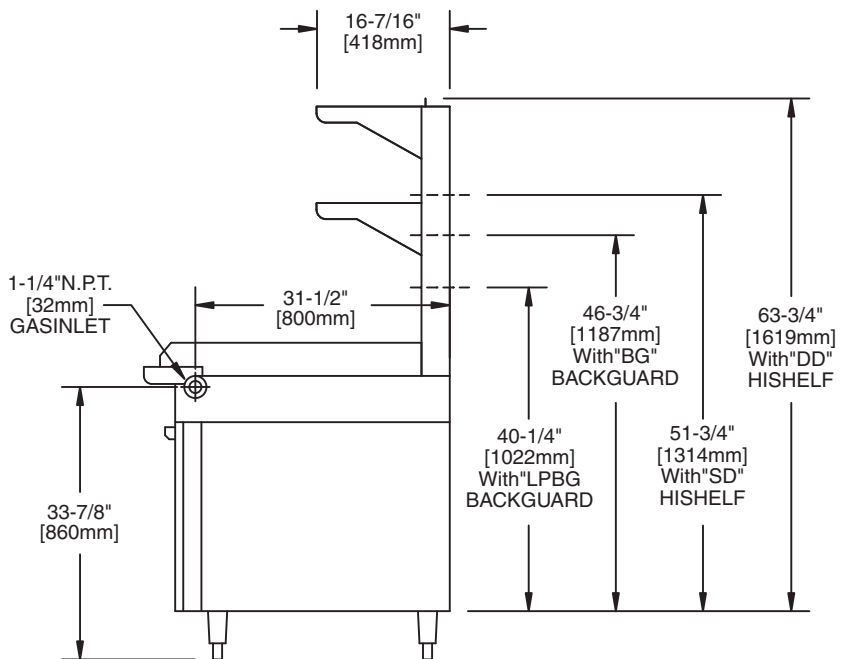
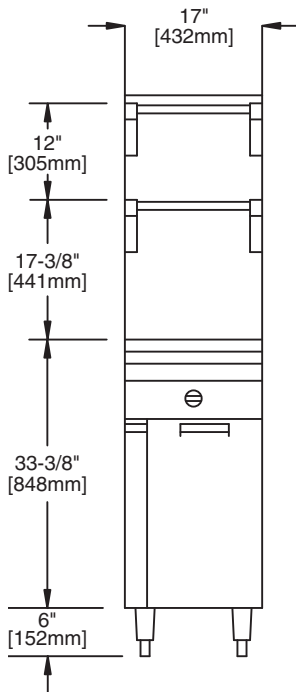


¹NOTE: Installation clearance reductions are applicable only where local codes permit.

Data applies only to North America

Gas input ratings shown here are for installations up to 2,000 ft. (610m) above sea level. Specify altitudes over 2,000 ft.

Please specify gas type when ordering.



Continuous product improvement is a Garland policy.
 Specifications and design are subject to change without notice.