



Item #: _____
Model: MIR34L
Product Name: Master Series Infra-Red Broiler
Salamander Broiler



Specification:

Range mount gas infra-red salamander broiler, Model #MIR34L. Two (2) 20,000 BTU (5.86 kW) atmospheric infra-red burners. Three-position adjustable rack. Stainless steel front, sides and backsplash. 40,000 BTU (11.72 kW) total. Natural or propane gas. AGA, CGA certified and NSF.

Standard Features:

- Stainless steel front, sides and backsplash.
- 1/2" NPT top gas inlet.
- Two (2) 20,000 BTU (5.86 kW) atmospheric infra-red burners.
- Two (2) individual Hi-Lo valve controls.
- Three-position spring-balanced rack assembly raising/lowering mechanism.
- Large capacity removable grease pan
- One year limited parts & labor warranty, (USA & Canada only).

Optional Features:

- Stainless steel main top.
- Stainless steel main bottom.
- Brackets for wall mounting (order model# MIR34WL)
- Interconnecting gas piping for range-mount



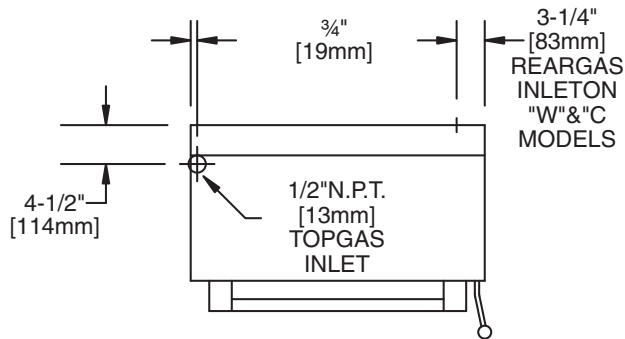
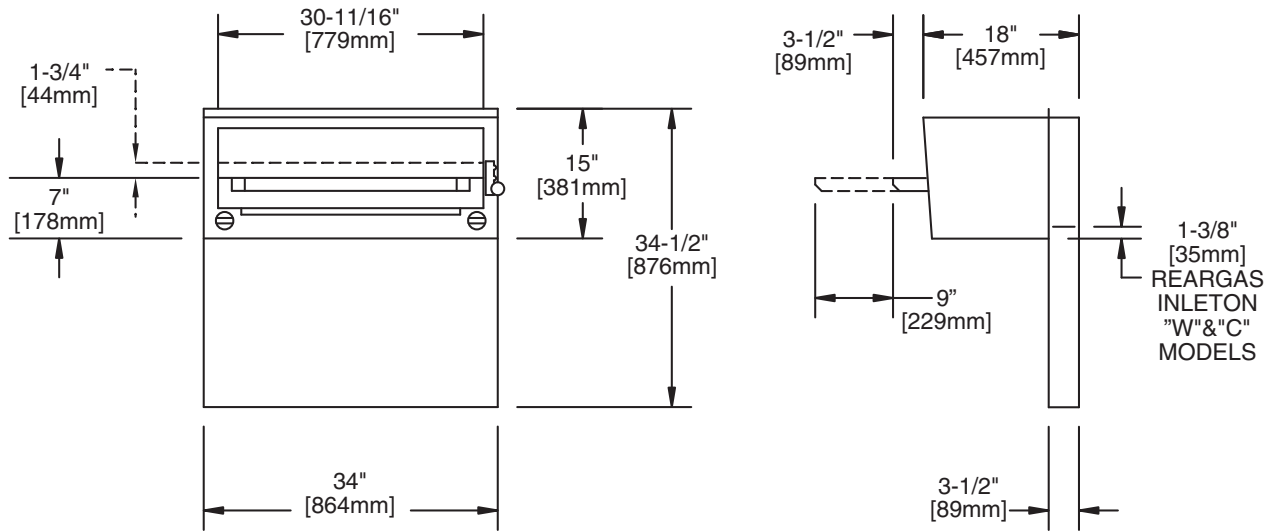
Garland Commercial Industries, Inc.
185 East South Street
Freeland, Pennsylvania 18224
Phone: (570) 636-1000
Fax: (570) 636-3903

Garland Commercial Ranges Ltd
1177 Kamato Road, Mississauga, Ontario
L4W 1X4 CANADA
Phone: 905-624-0260
Fax: 905-624-5669

Enodis UK LTD
Swallowfield Way, Hayes, Middlesex
UB3 1DQ ENGLAND
Telephone: 081-561-0433
Fax: 081-848-0041



Item #: _____
 Model: MIR34L
 Product Name: Master Series Infra-Red Broiler Salamander Broiler



PRODUCT	MSR16
Width: In(mm)	34(864)
Depth: In(mm)	18(457)
Height: In(mm)	34-1/2(876)
INPUT: BTU/hr(kW)(Natural Gas)	40,000(11.7)
Shipping Wt: (Lb/Kg)	145/66

INSTALLATION NOTES		
Combustible Wall Clearances ¹	Entry Clearances	Manifold Pressure
Sides: 6" (152mm) Back: 6" (152mm)	Crated: 39 3/4" (997mm) Uncrated: 34-3/4" (870)	Natural: 6" WC (15mbar) Propane: 10" WC (25mbar)

¹NOTE: Installation clearance reductions are applicable only where local codes permit.

Data applies only to North America

Commercial cooking equipment requires an adequate ventilation system. For additional information, refer to the National Fire Protection Association's standard NFPA96. (for North American only)

Gas input ratings shown here are for installations up to 2,000 ft. (610m) above sea level.

Specify altitudes over 2,000 ft.

Please specify gas type when ordering.

Continuous product improvement is a Garland policy.