



Model GXT3



Model GXM4

Standard Features:

- Built-in front grease trough
- Large capacity removable grease can
- Aluminized steel, 24,000 BTU/hr burners, (one every 12" of griddle width)
- 3/4" gas regulator
- 1" thick cold rolled steel plate
- 4" (102mm), stainless steel legs with adjustable feet
- 14 gauge splash guard
- Stainless steel front, sides, and landing ledge
- All GXT models are thermostat-controlled; 100°F - 450°F, (GXM models are valve-controlled)

Optional Features:

- Grooved griddle, (in 12" increments)
- Stainless steel equipment stand
- Casters on stand - swivel type



MODELS AVAILABLE:		Total BTU		Shipping Information		
Model No	Description	Nat	Pro	Lbs	Kgs	Cube Dimensions
Thermostat Controlled Standard Griddle (1" steel plate)						
GXT2	Griddle 22"x 24"	48,000	48,000	255	116	30"L x 40"D x 28"H
GXT3	Griddle 22"x 36"	72,000	72,000	360	163	42"L x 40"D x 26"H
GXT4	Griddle 22"x 48"	96,000	96,000	441	200	54"L x 40"D x 26"H
GXT5	Griddle 22"x 60"	120,000	120,000	578	262	66"L x 40" Dx 26"H
GXT6	Griddle 22"x 72"	144,000	144,000	700	318	78"L x 40"D x 26"H
Manually Controlled Standard Griddle (1" steel plate)						
GXM2	Griddle 22" x 24"	48,000	48,000	247	112	30"L x 40"D x 28"H
GXM3	Griddle 22" x 36"	72,000	72,000	350	159	42"L x 40"D x 26"H
GXM4	Griddle 22" x 48"	96,000	96,000	430	194	54"L x 40"D x 26"H
GXM5	Griddle 22" x 60"	120,000	120,000	561	255	66"L x 40"D x 26" h
GXM6	Griddle 22" x 72"	144,000	144,000	650	295	78"L x 40"D x 26"H

Garland Commercial Industries, Inc.
 185 East South Street
 Freeland, Pennsylvania 18224
 Phone: (570) 636-1000
 Fax: (570) 636-3903

Garland Commercial Ranges Ltd
 1177 Kamato Road, Mississauga, Ontario
 L4W 1X4 CANADA
 Phone: 905-624-0260
 Fax: 905-624-5669

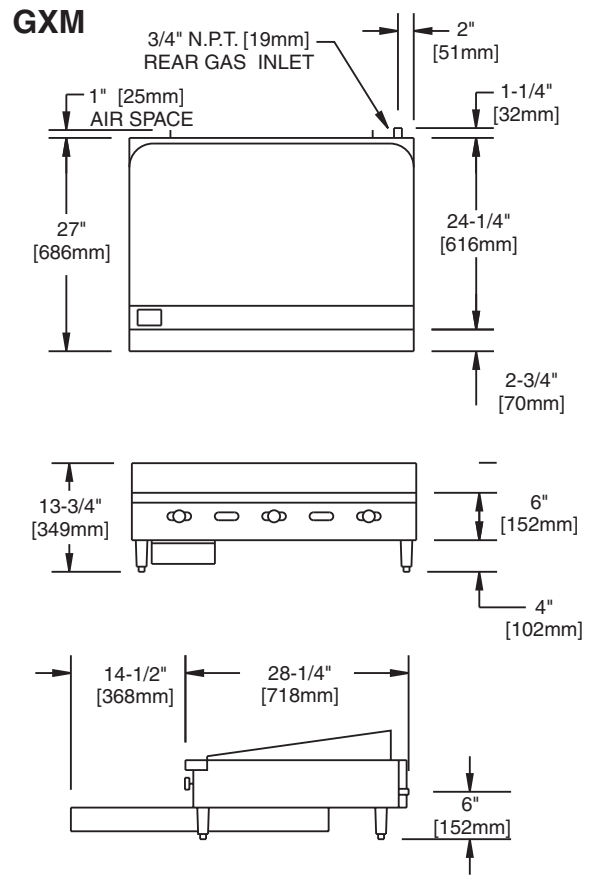
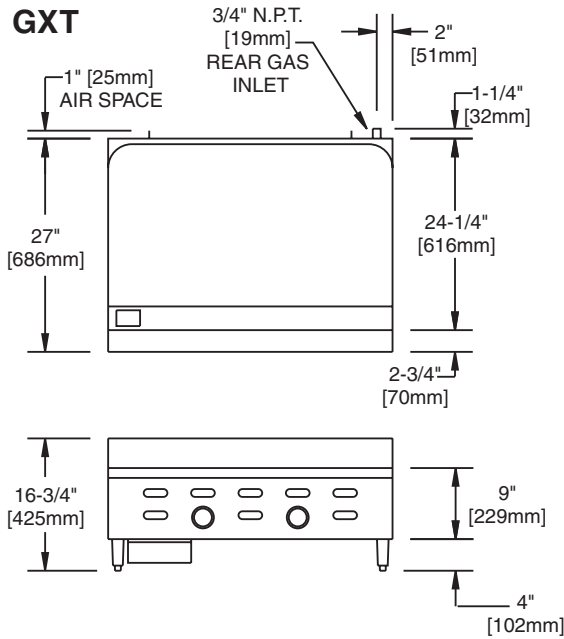
Enodis UK LTD
 Swallowfield Way, Hayes, Middlesex
 UB3 1DQ ENGLAND
 Telephone: 081-561-0433
 Fax: 081-848-0041



Item #: _____

Models: All GXT & GXM

Product Name: GX Series Griddles



SERIES	HEIGHT	WIDTH					DEPTH	GAS INLET
		GXT2	GXT3	GXT4	GXT5	GXT6		
GXT	16 3/4" (425mm)	24" (610mm)	36" (914mm)	48" (1219mm)	60" (1524mm)	72" (1829mm)	28" (711mm)	3/4" N PT
		GXM2	GXM3	GXM4	GXM5	GXM6		
GXM	13 3/4" (349mm)	24" (610mm)	36" (914mm)	48" (1219mm)	60" (1524mm)	72" (1829mm)		

CLEARANCES				OPERATING PRESSURE			
INSTALLATION		ENTRY		NATURAL GAS		PROPANE	
to Non Combustible	to Combustible	Crated	Uncrated	"WC	Mbar	"WC	Mbar
6" (152mm)	16" (915mm)	29" (737mm)	14" (356mm)	5	12.5	10	25

Continuous product improvement is a Garland policy.
 Specifications and design are subject to change without notice.