



*Model G24-24GTHX*

*(shown mounted on optional CS24-24 stand/casters)*

### Specification:

Heavy duty gas griddles available in five (5) widths; 24", 36", 48", 60", and 72". High performance, high volume production with even, consistent, controlled temperatures 100° to 450° F (40°-230°C) range. 3/4" (19mm) thick griddle plate, with 24" (610 mm) deep grilling surface.

Garland has designed this heavy-duty griddle to give the features required for high-volume operations. Griddles are available with hi-lo valve controls or for temperature set control models with snap action thermostats. G24 griddles with snap action thermostats do not require any electrical connections. Valve or thermostat models have a control and burner for every 12" (305mm) width of griddle for maximum heat input on the plate surface.

### Griddle Features:

- Stainless steel front - the balance, black power coat epoxy
- Full spatula width front grease trough
- Large grease bucket holds 1-3/4 gallons (7.9 liters)
- 3/4" (19mm) polished steel griddle plate with 2-5/8" (67mm) welded splash guards on both sides and rear
- 24" (610mm) deep grilling surface
- Available with snap action thermostats or hi-lo valves
- Chrome plated thermostat guards
- 33,333 BTU (valve controlled) or 30,000 BTU (thermostat controlled) for every 12" (305mm) of griddle width
- 100° to 450° F (40°-230°C) temperature range
- 5 griddle widths available - 24" (610mm) through 72" (1829mm)
- 4" (102mm) stainless steel legs

### Optional Features:

- Stainless steel sides
- Stainless steel back
- Grooved griddle plate (in 12" sections)
- For models that are "CE" approved with valve controlled flame failure features add the suffix "GSFD" at the end of the model number

### Optional CS24 Series Stands:

Floor Stands: Heavy-duty stands of open design with seamless welded square tube legs. Black finish storage shelf supplied with stands up to 48" (1219mm) wide. Working height of all units on stands 35-1/2" (902mm). Stand widths available in 15" (381mm), 24" (610mm), 30" (762mm), 36" (914mm), 48" (1219 mm), 60" (1524mm) and 72" (1829mm). Example for G24-36G griddle, specify compatible CS24-36 stand. For stainless steel finish, add SS suffix to model number

Optional:

- Swivel caster; set of 4



**Garland Commercial Industries, Inc.**  
 185 East South Street  
 Freeland, Pennsylvania 18224  
 Phone: (570) 636-1000  
 Fax: (570) 636-3903

**Garland Commercial Ranges Ltd**  
 1177 Kamato Road, Mississauga, Ontario  
 L4W 1X4 CANADA  
 Phone: 905-624-0260  
 Fax: 905-624-5669

**Enodis UK LTD**  
 Swallowfield Way, Hayes, Middlesex  
 UB3 1DQ ENGLAND  
 Telephone: 081-561-0433  
 Fax: 081-848-0041



Item #: \_\_\_\_\_

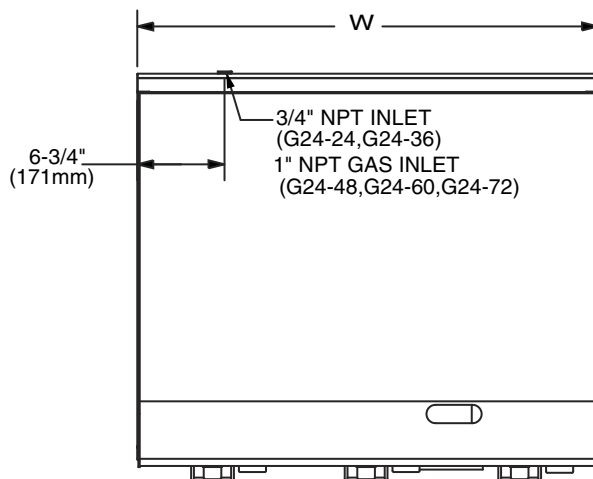
Models: All G24 Series

Product Name: Heavy-Duty Gas Griddles

Input Chart Natural Gas				
Model	Description	Controls	BTU/HR	kW/HR
G24-24G G24-24GTHX	24" (610mm) Griddle	2 Hi-lo Valves 2 Thermostats	66,500 60,000	19.48 17.58
G24-36G G24-36GTHX	36" (914mm) Griddle	3 Hi-lo Valves 3 Thermostats	100,000 90,000	29.31 26.38
G24-48G G24-48GTHX	48" (1219mm) Griddle	4 Hi-lo Valves 4 Thermostats	133,000 120,000	38.98 35.17
G24-60G G24-60GTHX	60" (1524mm) Griddle	5 Hi-lo Valves 5 Thermostats	166,500 150,000	48.78 43.96
G24-72G G24-72GTHX	72" (1829mm) Griddle	6 Hi-lo Valves 6 Thermostats	200,000 180,000	58.61 52.75

### Installation Notes

Manifold Operating Pressure		Combustible Wall Clearances: In (mm)			Ratings shown are for natural gas installations up to 2000 feet (610m) above sea level. BTU input ratings must be de-rated for high altitude installations. Specify altitude of product if over 2000 feet (610m)
		Sides	Back	Base	
Natural Gas	Propane	6(152)	6(152)	Non-combustible	
4" WC (10 mbar)	10" WC (24 mbar)	<b>NOTE:</b> Installation clearance reductions are applicable only where local codes permit			



Model	W
G24-24G G24-24GTHX	24" (610mm)
G24-36G G24-36GTHX	36" (914mm)
G24-48G G24-48GTHX	48" (1219mm)
G24-60G G24-60GTHX	60" (1524mm)
G24-72G G24-72GTHX	72" (1829mm)

