


Model GXRN24
Specifications:

 Shall be Garland Broiler w/Non-Adjustable Grate.
Finish is to be stainless steel front and sides.

 Model _____ with total BTU/Hour rating of
_____ when used with natural/propane gas.

Standard Features:

- Heavy-duty, reversible, cast iron grates in 3" (76mm) sections
- Built-in front grease trough
- Large capacity 1-1/2" (38mm) deep drip pan
- Aluminized steel burners, one every 6" (152mm)
- Cast iron radiants, one every 6" (152mm)
- 15,000 BTU/HR. per burner
- Individual burner controls
- Standing pilot for instant lighting
- 3/4" (19mm) gas regulator
- 4" (102mm) legs with adjustable feet
- Exterior finish - stainless steel front, landing ledge and sides

Optional Features:

- Stainless steel splatter guards
- 3" (76mm) deep water pan in lieu of 1-1/2" (38mm) deep drip pan, for models GXRN30, 36, 48, and 60; no additional charge
- Stainless steel stand with intermediate shelf
- Casters on stand- swivel type

Type of Gas

- Natural
- Propane
- Elevation above 2,000 Ft (610m)
Specify _____ Ft (m)

MODELS AVAILABLE:			SHIPPING INFORMATION	
Model No.	Description	Total BTU	Lb/Kg	Cube Dimensions (LxDxH) In(mm)
GXRN24	24" Wide Broiler	60,000	226/103	30(762) x 40(1016) x 26(660)
GXRN30	30" Wide Broiler	75,000	266/121	36(914) x 40(1016) x 26(660)
GXRN36	36" Wide Broiler	90,000	300/136	42(1067) x 40(1016) x 26(660)
GXRN48	48" Wide Broiler	120,000	387/176	54(1372) x 40(1016) x 26(660)
GXRN60	60" Wide Broiler	150,000	467/212	66(1676) x 40(1016) x 26(660)

Garland Commercial Industries, Inc.
 185 East South Street
 Freeland, Pennsylvania 18224
 Phone: (570) 636-1000
 Fax: (570) 636-3903

Garland Commercial Ranges Ltd
 1177 Kamato Road, Mississauga, Ontario
 L4W 1X4 CANADA
 Phone: 905-624-0260
 Fax: 905-624-5669

Enodis UK LTD
 Swallowfield Way, Hayes, Middlesex
 UB3 1DQ ENGLAND
 Telephone: 081-561-0433
 Fax: 081-848-0041

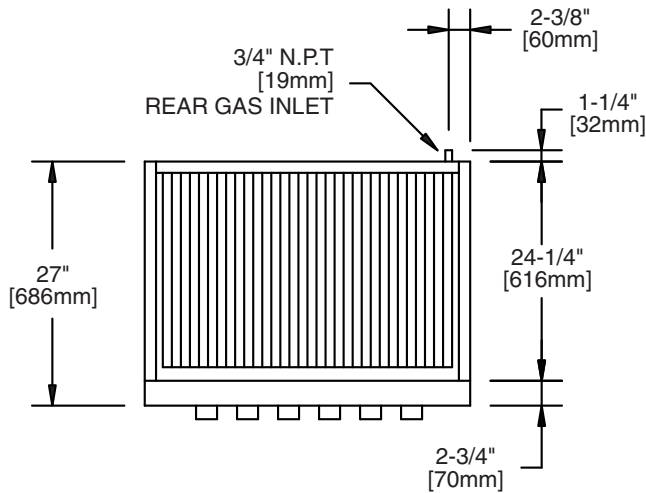


Item #: _____
 Models: All GXRN
 Product Name: GX Series Char Broilers
 w/Non Adjustable Grates

SPECIFICATIONS:	MODELS				
	GXRN24	GXRN30	GXRN36	GXRN48	GXRN60
Description					
Width: In(mm)	24 (610)	30 (762)	36 (914)	48 (1219)	60 (1524)
Depth: In(mm)	27(656)	27(656)	27(656)	27(656)	27(656)
Height: In(mm)	13(330)	13(330)	13(330)	13(330)	13(330)
No. Burners	4	5	6	8	10
BTU/Hour - Natural/Propane	60,000	75,000	90,000	120,000	150,000
Gas Broiling Grid W: In (mm)	21-1/2(546)	21-1/2(546)	21-1/2(546)	21-1/2(546)	21-1/2(546)
D: In (mm)	20(508)	26(660)	32(813)	44(1118)	56(1422)
Gas Manifold	3/4" NPT	3/4" NPT	3/4" NPT	3/4" NPT	3/4" NPT

NOTE:

- Many local codes exist. It is the responsibility of the owner and installer to comply with those codes.
- Garland reserves the right to change or improve our, specifications without notification.
- These appliances are intended for commercial use by professionally trained personnel.



Operating Pressure All Models			
Natural Gas		Propane	
"WC	Mbar	"WC	Mbar
5	12.5	10	25

