



Item #: \_\_\_\_\_  
 Model: GXR, GXC  
 Product Name: GX Series Char-Glo Broilers  
 w/Adjustable Grates



Model GXR36

**Specifications:**

Shall be Garland Char-Glo Broiler w/ Adjustable Grate, Model \_\_\_\_\_ with total BTU/Hour rating of \_\_\_\_\_ when used with natural/propane gas. Finish is to be stainless steel front and sides.



**Standard Features:**

- Three position, adjustable grate
- Heavy-duty removable cast iron grates
- Built-in front grease trough
- Large capacity, removable drip pan and grease can
- Aluminized steel burners, 18,000 BTU/hr Model GXR
- Cast iron burners, 45,000 BTU/hr, Model GXC
- Individual burner controls
- Burner controls protected under stainless steel cover
- Standing pilot for instant lighting
- 3/4" (19mm) gas regulator
- Exterior finish - stainless steel front and sides
- All welded frame

**Optional Features:**

- Stainless Steel Stand with Intermediate Shelf
- Casters On Stand - Swivel Type

**Type of Gas**

- Natural
- Propane
- Elevation Above 2,000 Ft. (610m) -Specify \_\_\_\_ ft.(m)

MODELS AVAILABLE: Char-Glo, Ceramic Coals			SHIPPING INFORMATION	
Model No.	Description	Total BTU	Lbs/Kg	Cube Dimensions (LxDxH) In(mm)
GXC24	24" Wide Broiler	90,000	283/128	30(762) x 40(1016) x 27(656)
GXC30	30" Wide Broiler	90,000	338/153	36(914) x 40(1016) x 27(656)
GXC36	36" Wide Broiler	135,000	391/177	42(1067) x 40(1016) x 27(656)
GXC48	48" Wide Broiler	180,000	505/229	54(1372) x 40(1016) x 27(656)
GXC60	60" Wide Broiler	180,000	620/281	60(1524) x 40(1016) x 27(656)

MODELS AVAILABLE: Cast Iron Radiants			SHIPPING INFORMATION	
Model No.	Description	Total BTU	Lbs/Kg	Cube Dimensions (LxDxH) In(mm)
GXR24	24" Wide Broiler	72,000	265/120	30(762) x 40(1016) x 27(656)
GXR30	30" Wide Broiler	90,000	320/145	36(914) x 40(1016) x 27(656)
GXR36	36" Wide Broiler	108,000	360/163	42(1067) x 40(1016) x 27(656)
GXR48	48" Wide Broiler	144,000	469/213	54(1372) x 40(1016) x 27(656)
GXR60	60" Wide Broiler	180,000	581/264	60(1524) x 40(1016) x 27(656)

Garland Commercial Industries, Inc.  
 185 East South Street  
 Freeland, Pennsylvania 18224  
 Phone: (570) 636-1000  
 Fax: (570) 636-3903

Garland Commercial Ranges Ltd  
 1177 Kamato Road, Mississauga, Ontario  
 L4W 1X4 CANADA  
 Phone: 905-624-0260  
 Fax: 905-624-5669

Enodis UK LTD  
 Swallowfield Way, Hayes, Middlesex  
 UB3 1DQ ENGLAND  
 Telephone: 081-561-0433  
 Fax: 081-848-0041

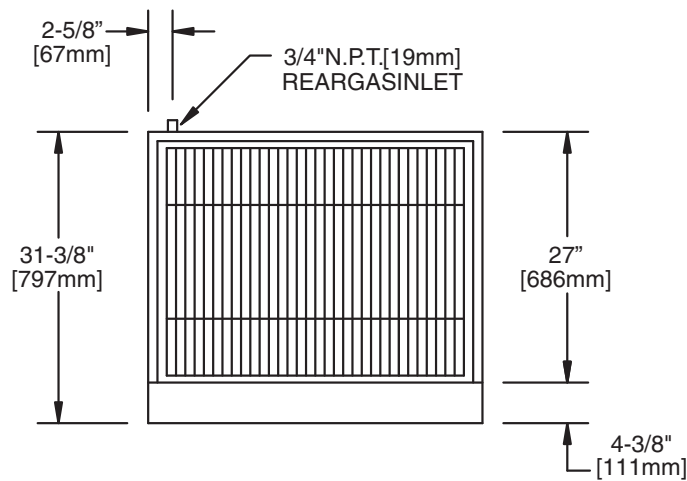
GARLAND® GAS GX Series Char-Glo Broilers w/Adjustable Grates Models: GXR, GXC



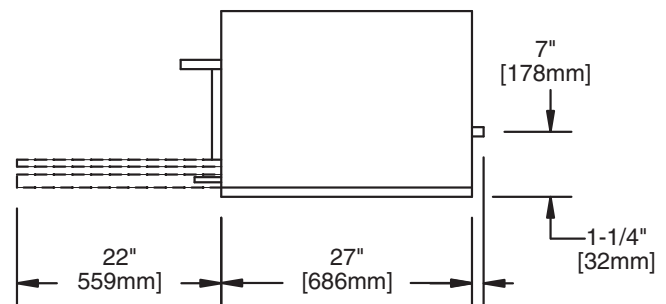
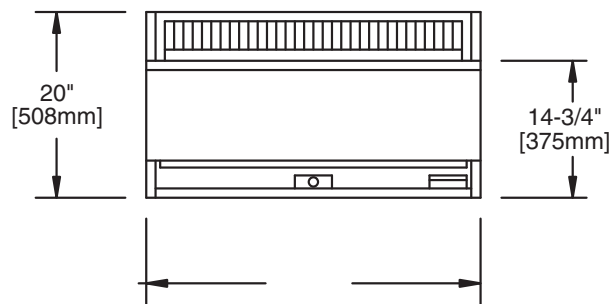
Item #: \_\_\_\_\_  
 Model: GXR, GXC  
 Product Name: GX Series Char-Glo Broilers  
 w/Adjustable Grates

Description	GXC SERIES					GXR SERIES				
	24	30	36	48	60	24	30	36	48	60
<b>Width: In(mm)</b>	24 (610)	30 (762)	36 (914)	48 (1219)	60 (1524)	24 (610)	30 (762)	36 (914)	48 (1219)	60 (1524)
<b>Depth: In (mm)</b>	31-3/8(797) All Models									
<b>Height:In(mm)</b>	20 (508) All Models									
<b>No. Burners</b>	2	2	3	4	4	4	5	6	8	10
<b>BTU/Hr Nat./Pro.</b>	90,000	90,000	135,000	180,000	180,000	72,000	90,000	108,000	144,000	180,000
<b>Gas Manifold</b>	3/4" NPT	3/4" NPT	3/4" NPT	3/4" NPT	3/4" NPT	3/4" NPT	3/4" NPT	3/4" NPT	3/4" NPT	3/4" NPT
<b>Gas Broiling Grid(s)</b>				(2)	(2)				(2)	(2)
<b>W: In(mm)</b>	20(508)	26(660)	32(813)	20(508)	26(660)	20(508)	26(660)	32(813)	20(508)	26(660)
<b>D: In (mm)</b>	24(610)	24(610)	24(610)	24(610)	24(610)	24(610)	24(610)	24(610)	24(610)	24(610)

- Many local codes exist, and it is the responsibility of the owner and the installer to comply with these codes
- Garland reserves the right to change or improve our, specifications without notification.
- These appliances are intended for commercial use by professionally trained personnel.



Operating Pressure All Models			
Natural Gas		Propane	
"WC	Mbar	"WC	Mbar
5	12.5	10	25



Continuous product improvement is a Garland policy. Specifications and design are subject to change without notice.