



***GARLAND MODEL
G24 Series***

PARTS LIST

Toll Free Phone, (US & Canada): (800) 427-6668

Toll Free Fax, (US & Canada): (800) 361-7745

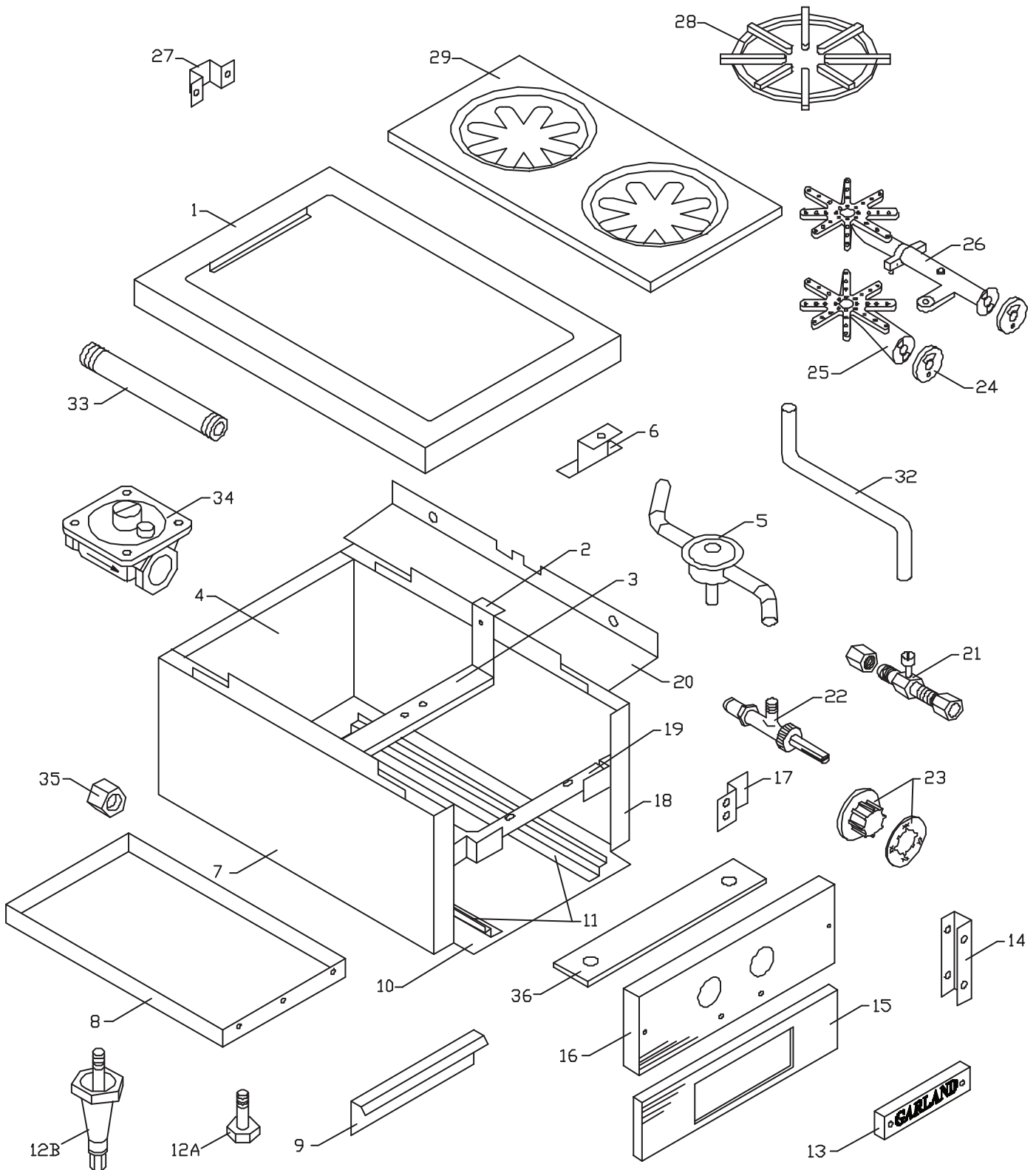
<http://www.garland-group.com>



GARLAND MODEL G24 Series

Contents:

Hot Plate G24-15H	Page 4
Hot Plate Models G24-15HFSD	Page 6
Griddles Models G24-24G,-36G & G24-24GTH,-36GTH Throttle Type UN Griddle Control System.....	Page 10
Griddles Models G24-48G,-60G,-72G & G24-48GTH,-60GTH,-72GTH Throttle Type UN Griddle Control System.....	Page 14
Griddles Models G24-24GTHX, G24-36GTHX, G24-48GTHX, G24-60GTHX And G24-72GTHX Snap Action Hydraulic Thermostat System	Page 18
Griddles Flame Failure Series Models G24--24GFSD And G24-36GFSD	Page 22
Griddles Flame Failure Series Models G24-48GFSD 60GFSD And -72GFSD	Page 26
Revision History.....	Page 30



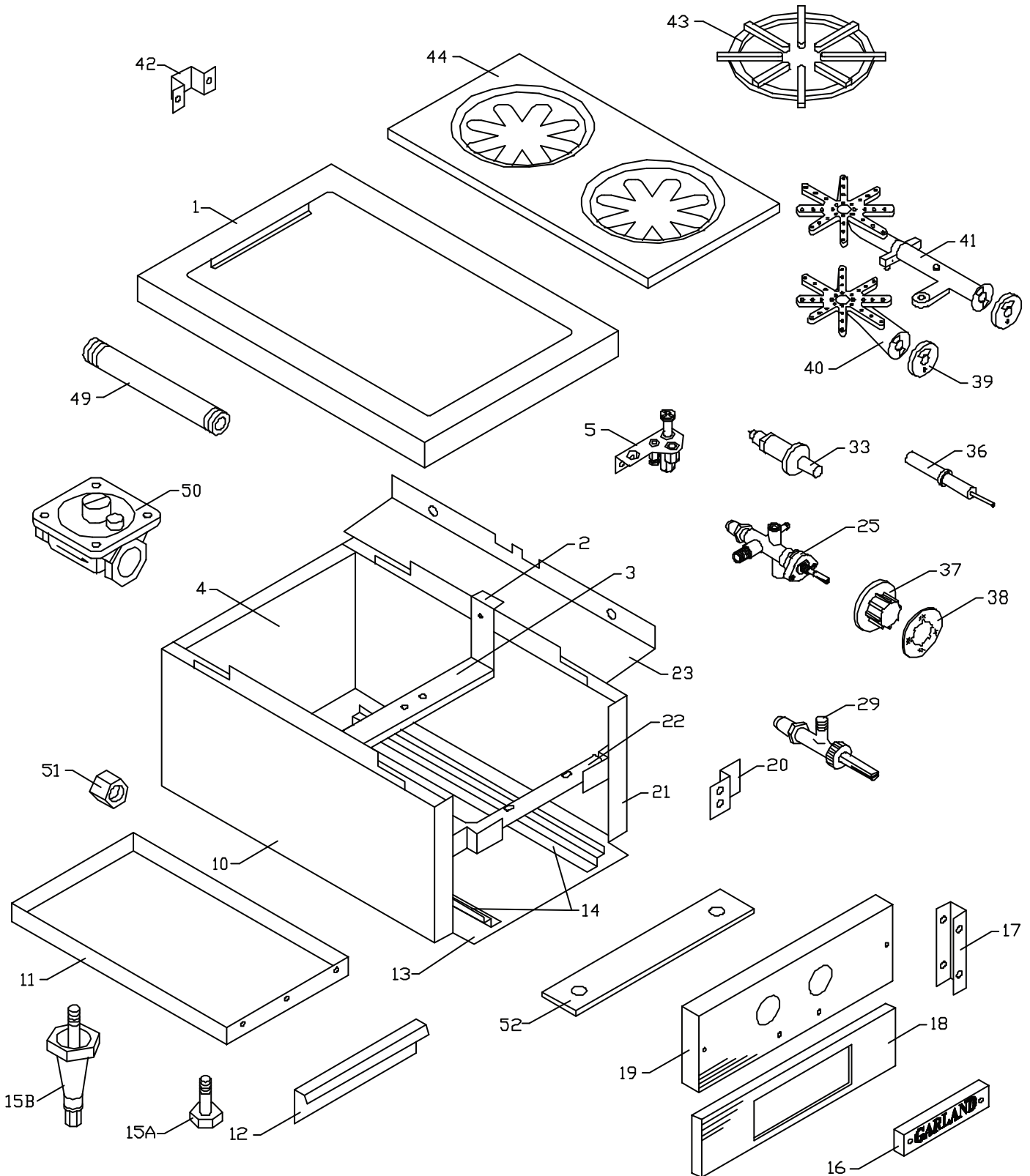
GARLAND PARTS IDENTIFICATION

Hot Plate G24-15H

ITEM	PART #	DESCRIPTION	MODEL G24-15H
			QUANTITY
1	G0220-01-8P	Main Top Assembly (Plated)	1
2	G0231-1-7	Burner Rest Support	2
3	G0230-1-8	Burner Rest	1
4	G0236-1-8	Main Back	1
	G0236-1-9	Main Back	1
5	G7804-280	Lighter Assembly	1
6	G0232-1-8	Pilot Bracket	1
7	G2588-01-82	Main Side Assembly L/H	1
	G2588-01-92	Main Side Assembly L/H	1
8	1090103	Drip Tray Small	1
9	G0227-1-9	Front Drip Pan	1
10	G0234-1-7	Main Bottom	1
11	G0235-1-7	Drip Pan Support	2
12A	F157	Leveling Bolt-3/8-16x1 1/16"	4
12B	078109-2	4" Adjustable Metal Leg	4
13	3077101	Garland Nameplate 4-7/8"	1
14	G0486-1-7	Lower Front Panel Support	2
15	G0226-1-9	Lower Front Panel	1
16	G0225-1-9	Upper Front Panel	1
17	G2227-2-7	Bracket	2
18	G2588-01-81	Main Side Assembly R/H	1
	G2588-01-91	Main Side Assembly R/H	1
19	G0229-01	Manifold Assembly	1
20	G0233-1-7	Side Aeration Shield	2
21	1086199	Gum Valve 1/8	1
22	G4447-XX	Valve Top Burner Less Hood	2
	M8-49	Small Hood Natural	2
	M8-56	Small Hood Propane	2
23	G02716-2	Dial - (Universal) Medium Shaft	2
	G02725-1	Dial Insert (OFF)	2
24	1028000	Air Shutter	2
25	1089201	Top Burner Front	1
26	1089200	Top Burner Rear	1
27	G0312-1-9	Banking Plate	1
28	G5429E	Top Ring Grate Enamelled	2
29	G01460-1-8E	Top Grate - Enamelled	1
30*	G1555-1	Front I.D. Plate	1
31*	G1555-2	Rear I.D Plate	1
32	1032617	Top Lighter Tube 1/8 OD x 17	1
33	G01738-19	Nipple 3/4 NPT x 23 3/4 "	1
34	2127502	Gas Regulator Natural 4.5"	1
	2127500	Gas Regulator Propane 10"	1
35	G01961-1	Coupling 3/4 NPT	1
36	2285999	Leg Channel Assembly 15"	2

* NOT ILLUSTRATED

RECOMMENDED STOCK PARTS



Hot Plate-02.dwg

GARLAND PARTS IDENTIFICATION

Hot Plate Models G24-15HFSD

ITEM	PART #	DESCRIPTION	MODEL
			G24-15HFSD QUANTITY
1	G0220-01-8P	Main Top Assembly (Plated)	1
2	G0231-1-7	Burner Rest Supports	2
3	G0230-1-8	Burner Rests	1
4	G0236-1-8	Main Back	1
	G0236-1-9	Main Back	1
5	2520800	Burner Pilot 0190-613	2
6*	2520801	Orifice Pilot 51 (NAT)	2
	2520802	Orifice Pilot 30 (LP)	2
	2520803	Orifice Pilot 62 (Manufacture Gas)	2
7*	2200704	3/16" Compression Nut	2
8*	2520804	Sleeve 3/16" COMP #0.957.025	2
9*	2527300	Pilot Bracket 43-40FFX	1
10	G2588-01-82	Main Side Assembly L/H	1
	G2588-01-92	Main Side Assembly L/H	1
11	1090103	Drip Tray Small	1
12	G0227-1-9	Front Drip Pan	1
13	G0234-1-7	Main Bottom	1
14	G0235-1-7	Drip Pan Support	2
15A	F157	Leveling Bolt-3/8-16x1 1/16"	4
15B	078109-2	4" Adjustable Metal Leg	4
16	3077101	Garland Nameplate 4 7/8"	1
17	G0486-1-7	Lower Front Panel Support	2
18	G0226-1-9	Lower Front Panel	1
19	2491600	Upper Front Panel	2
20	G2227-2-7	Bracket	2
21	G2588-01-81	Main Side Assembly R/H	1
	G2588-01-91	Main Side Assembly R/H	1
22	G0229-01	Manifold Assembly	1
23	G0233-1-7	Side Aeration Shield	2
24*	G03674-2	Valve -Pilot 3/16" Angle 90 deg	2
25	2187100	Flame Failure Valve Oven	2
26*	2198102	Valve Connector Fitting 10 MM	2
27*	2208800	Orifice Block	2
28*	2203400	Counter Sunk Hex Pipe Plug 1/8 NPT"	2
29	21045XX	Orifice Fitting	2
	M8-49	Small Hood Natural	2
	M8-56	Small Hood Propane	2
30*	G01917-1	Elbow 1/8" NPT STR. Brass 115-A	1
31*	2200600	18" Thermocouple	1
	2200602	24" Thermocouple	1
32*	2200202	24" H T Wire Lead	2
33	1309201	Piezo Igniter #1244-41	2
34*	2200706	Nut Thermo Retaining	2
35*	2200707	Nut Electrode	2
36	2200708	Electrode	2
37	G02716-2	Dial - (Universal) Medium Shaft	2
38	G02725-38	Dial Insert	2
39	1028000	Air Shutter	2
40	1089201	Top Burner Front	1
41	1089200	Top Burner Rear	1
42	G0312-1-9	Banking Plate	1
43	G5429E	Top Ring Grate Enamelled	2

* NOT ILLUSTRATED

RECOMMENDED STOCK PARTS

GARLAND PARTS IDENTIFICATION

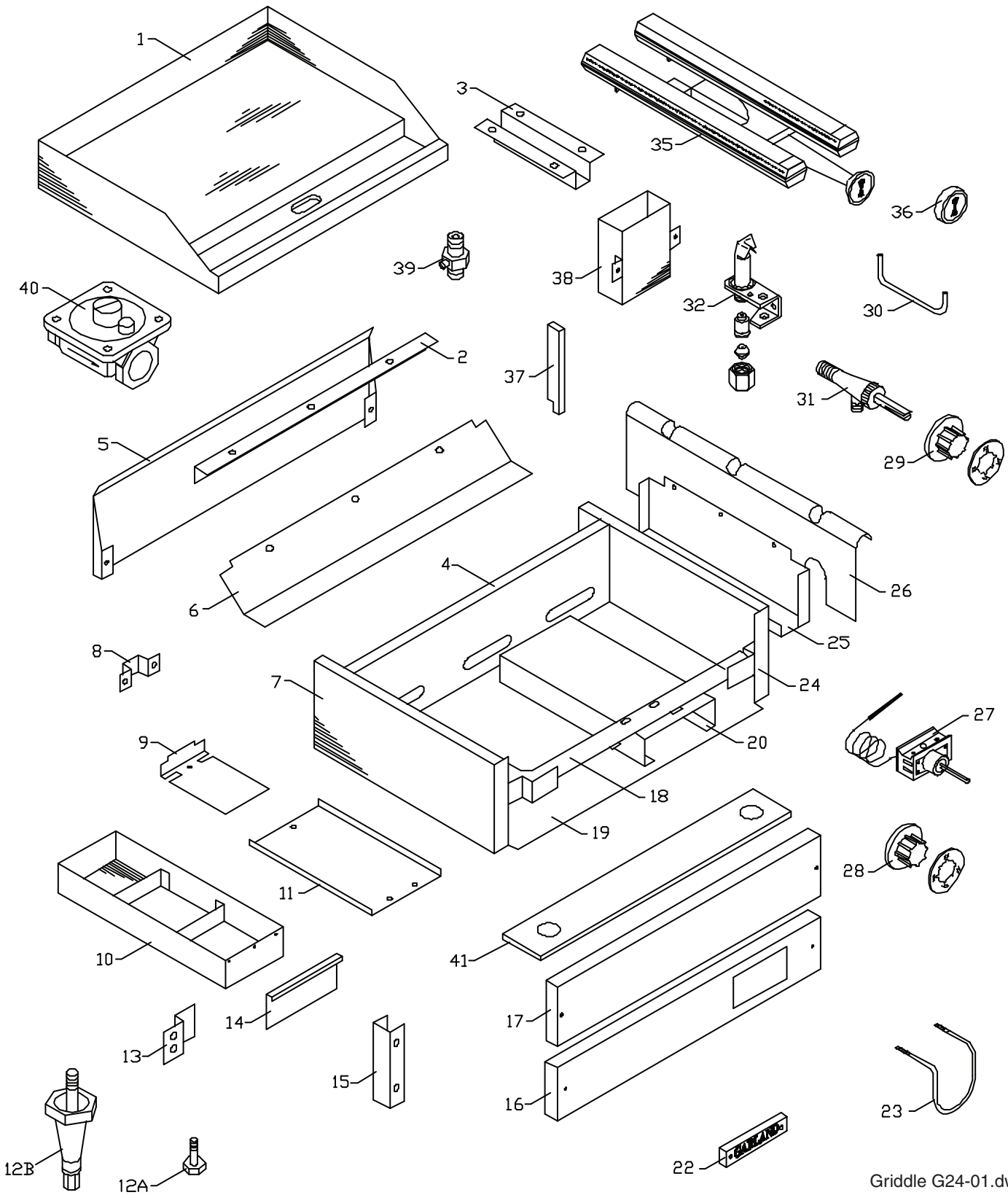
Hot Plate Models G24-15HFSD

ITEM	PART #	DESCRIPTION	MODEL G24-15HFSD
			QUANTITY
44	G01460-1-8E	Top Grate - Enamelled	1
45*	G1555-1	Front I.D. Plate	1
46*	G1555-2	Rear I.D Plate	1
47*	2324000	Pilot Tube - Front	1
48*	2324100	Pilot Tube - Rear Burner Pilot	1
49	G01738-19	Nipple 3/4 NPT x 23 3/4 "	1
50	2127502	Gas Regulator Natural 4.5"	1
	2127500	Gas Regulator Propane 10"	1
	3018200	Regulator Nat 4.5 (R500FM-66) CE Mark Model Only	1
	3018201	Regulator Pro 10.0 (R5210-512) CE Mark Model Only	1
51	G01961-1	Coupling 3/4 NPT	1
52	2285999	Leg Channel Assembly 15"	2

* NOT ILLUSTRATED

RECOMMENDED STOCK PARTS

NOTES



Griddle G24-01.dwg

GARLAND PARTS IDENTIFICATION
Griddles Models G24-24G,-36G & G24-24GTH,-36GTH

ITEM	PART #	DESCRIPTION	MODEL			
			QUANTITY			
			G24-24G	G24-24GTH	G24-36G	G24-36GTH
1	G0567-024-8	Griddle Assembly	1	1		
	2220999	24" Grooved Griddle Assy.	1	1		
	2220494	Griddle Ass'y 24G-U1R (Grooved 12" R /H)	1	1		
	2220495	Griddle Ass'y 24G-U1L (Grooved 12" L/H)	1	1		
	G0567-036-8	Griddle Assembly	1	1		
	2220799	36" Grooved Griddle Assy.			1	1
	2220795	36" Grooved Griddle Assy.			1	
	2220796	36" Grooved Griddle Assy.			1	
	2220797	36" Grooved Griddle Assy.			1	
2220798	36" Grooved Griddle Assy.			1	1	
2	4518972	Burner Rest	2	2		
	4518970	Burner Rest			2	2
3	1473499	Bulb Clamp & Shield Assembly		2		3
4	G0104-24-8	Main Back	1	1		
	G0104-24-9	Main Back	1	1		
	G0104-36-8	Main Back			1	1
	G0104-36-9	Main Back			1	1
5	G0134-24-6	Flue Back	1	1		
	G0134-24-9	Flue Back	1	1		
	G0134-36-6	Flue Back			1	1
	G0134-36-9	Flue Back			1	1
6	G0103-24-6	Rear Aeration Shield	1	1		
	G0103-36-6	Rear Aeration Shield			1	1
7	G2588-01-82	Main Side Assembly L/H	1	1	1	1
	G2588-01-92	Main Side Assembly L/H	1	1	1	1
8	G0312-1-9	Banking Plate	1	1	1	1
9	G0102-1-6	Burner Air Baffle	2	2	3	3
10	G2176-01-8	Grease Pan Assembly	1	1	1	1
11	G0101-1-6	Centre Aeration Shield	1	1	2	2
12A	F157	Leveling Bolt-3/8-16x1 1/16"	4	4	4	4
12B	078109-2	4" Adjustable Metal Leg	4	4	4	4
13	G2227-2-7	Bracket	2	2	2	2
14	G2175-1-9	Grease Pan Front	1	1	1	1
15	G0486-1-7	Lower Front Panel Support	2	2	2	2
16	G097-24-9	Lower Panel				
	G097-36-9	Lower Panel				
17	G096-24-9	Top Panel	1	1		
	G096-36-9	Top Panel			1	1
18	G095-024	Manifold Assembly	1	1		
	G095-036	Manifold Assembly			1	1
19	G091-24-7	Main Bottom	1	1		
	G091-36-7	Main Bottom			1	1
20	G7474-1-7	Cover (Grease Tray)	1	1	1	1
21*	G1555-6	Blank I.D Plate	2	2	3	3
22	3077101	Garland Nameplate 4 7/8"	1	1	1	1
23	G0728-1-8P	Therm. Guard-Plated C/W Nuts	2	2	3	2

* NOT ILLUSTRATED

RECOMMENDED STOCK PARTS

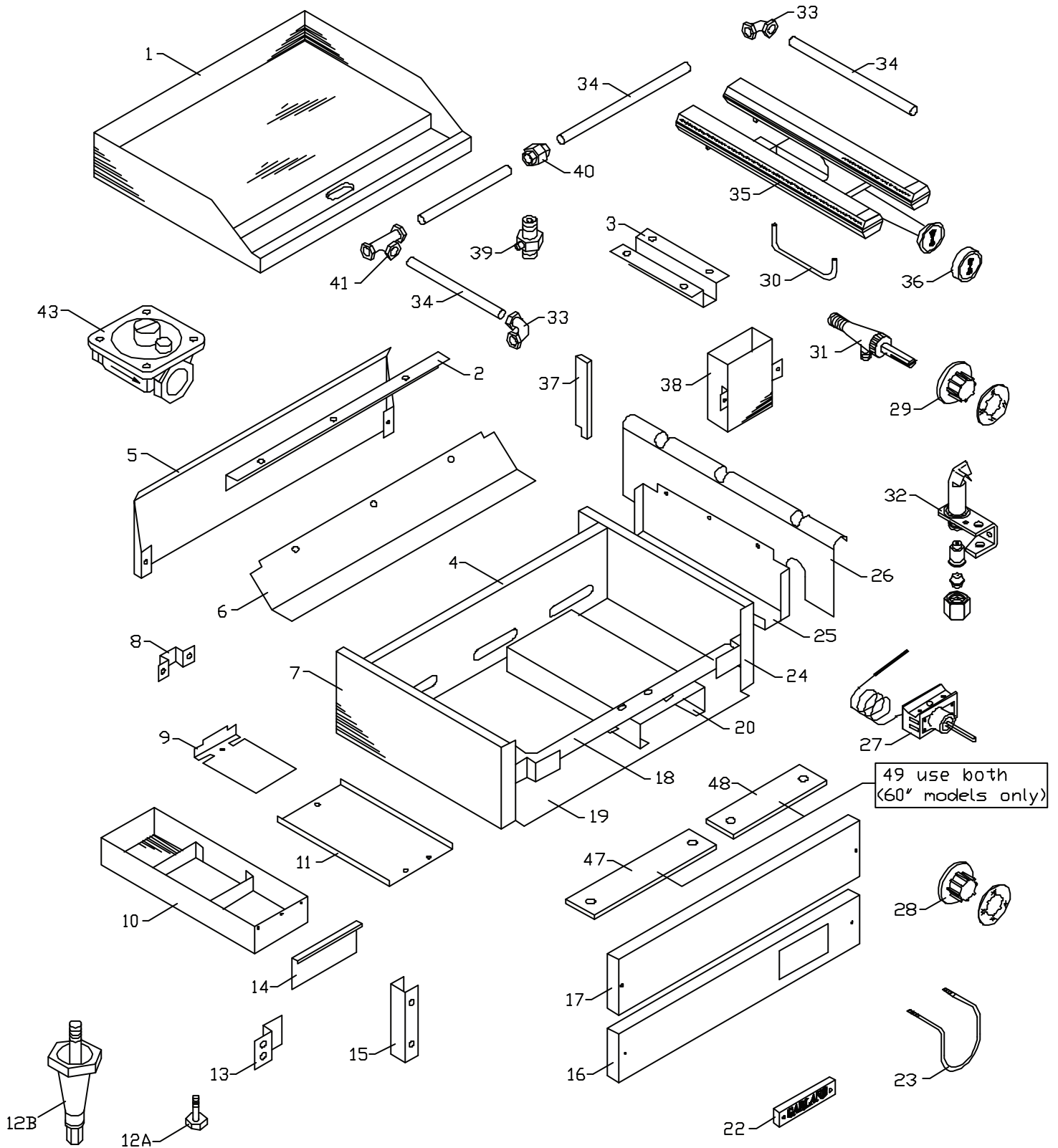
GARLAND PARTS IDENTIFICATION
Griddles Models G24-24G,-36G & G24-24GTH,-36GTH

ITEM	PART #	DESCRIPTION	MODEL			
			QUANTITY			
			G24-24G	G24-24GTH	G24-36G	G24-36GTH
24	G2588-01-81	Main Side Assembly R/H	1	1	1	1
	G2588-01-91	Main Side Assembly R/H	1	1	1	1
25	G099-1-61	Side Aeration Shield R/H	1	1	1	1
	G099-1-62	Side Aeration Shield L/H	1	1	1	1
26	G0100-24-6	Thermostat Shield	1	1		
	G0100-36-6	Thermostat Shield			1	1
27	G0114-1	Thermostat UN Up To Serial Number 9805CG191R		2		3
	3072900	Thermostat Effective From Serial Number 9805CG192R		2		3
	M8-33	Small Hood Natural				
	M8-50	Small Hood Propane				
28	G02716-2	Dial - (Universal) Medium Shaft		2		3
	G02725-14	Dial Insert (OFF/100F/450F)		2		3
	G02725-7	Dial Insert (OFF/40C/230C)		2		3
29	G02716-2	Dial - (Universal) Medium Shaft	2		3	
	G02725-2	Dial Insert (OFF/MAX/MIN)	2		3	
30	G01494-8	1/4 Aluminun Tubing x 11.000"	2	2	3	3
31	G0105-00	Hi-Lo Valve (Less Hood)	2		3	
	M8-33	Small Hood Natural	2		3	
	M8-50	Small Hood Propane	2		3	
32	G0554-1	3C-2 Pilot Natural	2	2	3	3
	G0554-2	3C-2 Pilot Propane	2	2	3	3
	G0554-3	3C-2 Pilot Manufactured	2	2	3	3
33*	G01474-5	90 Deg. Elbow - 3/4 NPT Manufactured	1	1	1	1
34*	G01738-16	3/4" NPT Pipe x 22 3/4"	1	1	1	1
35	1014900	Griddle H Burner	2	2	3	3
36	1028002	Air Shutter	2	2	3	3
37	G2402-3-5	Top Support Prop	1	1	1	1
38	G2539-04-6	Grease Chute Assembly	1	1	1	1
39	G6809	Gum Valve 1/4	2	2	3	3
40	2127502	Gas Regulator Natural 4.5"	1	1	1	1
	2127500	Gas Regulator Propane 10"	1	1	1	1
41	2285995	Leg Channel Assembly 36"			2	2
	2285997	Leg Channel Assembly 24"	2	2		

* NOT ILLUSTRATED

RECOMMENDED STOCK PARTS

NOTES



Griddle G24-02.dwg

GARLAND PARTS IDENTIFICATION

Griddles Models G24-48G,-60G,-72G & G24-48GTH,-60GTH,-72GTH

ITEM	PART #	DESCRIPTION	MODEL					
			QUANTITY					
			G24-48G	G24-48GTH	G24-60G	G24-60GTH	G24-72G	G24-72GTH
1	G0567-048-8	Griddle Assembly	1	1				
	G0567-060-8	Griddle Assembly			1	1		
	G0567-072-8	Griddle Assembly					1	1
2	4518972	Burner Rest	2	2	1	1		
	4518970	Burner Rest			1	1	2	2
3	1473499	Bulb Clamp & Shield Assembly		4		5		6
4	G0104-24-8	Main Back	2	2	1	1		
	G0104-24-9	Main Back	2	2	1	1		
	G0104-36-8	Main Back			1	1	2	2
	G0104-36-9	Main Back			1	1	2	2
5	G0134-24-6	Flue Back	2	2	1	1		
	G0134-24-9	Flue Back	2	2	1	1		
	G0134-36-6	Flue Back			1	1	2	2
	G0134-36-9	Flue Back			1	1	2	2
6	G0103-24-6	Rear Aeration Shield	2	2	1	1		
	G0103-36-6	Rear Aeration Shield			1	1	2	2
7	G2588-01-82	Main Side Assembly L/H	1	1	1	1	1	1
	G2588-01-92	Main Side Assembly L/H	1	1	1	1	1	1
	G2588-02-82	Main Side Assembly L/H	1	1	1	1	1	1
8	G0312-1-9	Banking Plate	2	2	2	2	2	2
9	G0102-1-6	Burner Air Baffle	4	4	5	5	6	6
10	G2176-01-8	Grease Pan Assembly	2	2	2	2	2	2
11	G0101-1-6	Centre Aeration Shield	2	2	3	3	4	4
12A	F157	Leveling Bolt-3/8-16x1 1/16"	8	8	8	8	8	8
12B	078109-2	4" Adjustable Metal Leg	8	8	8	8	8	8
13	G2227-2-7	Bracket	4	4	4	4	4	4
14	G2175-1-9	Grease Pan Front	2	2	2	2	2	2
15	G0486-1-7	Lower Front Panel Support	4	4	4	4	4	4
16	G097-24-9	Lower Panel	2	2	1	1		
	G097-36-9	Lower Panel			1	1	2	2
17	G096-24-9	Top Panel	2	2	1	1		
	G096-36-9	Top Panel			1	1	2	2
18	G095-024	Manifold Assembly	2	2	1	1		
	G095-036	Manifold Assembly			1	1	2	2
19	G091-24-7	Main Bottom	2	2	1	1		
	G091-36-7	Main Bottom			1	1	2	2
20	G7474-1-7	Cover (Grease Tray)	2	2	2	2	2	2
21*	G1555-6	Blank I.D Plate	4	4	5	5	6	6
22	3077101	Garland Nameplate 4 7/8"	2	2	2	2	2	2
23	G0728-1-8P	Therm. Guard-Plated C/W Nuts	4	4	5	5	6	6
24	G2588-01-81	Main Side Assembly R/H	1	1	1	1	1	1
	G2588-01-91	Main Side Assembly R/H	1	1	1	1	1	1
	G2588-02-81	Main Side Assembly R/H	1	1	1	1	1	1
25	G099-1-61	Side Aeration Shield R/H	2	2	2	2	2	2
	G099-1-62	Side Aeration Shield L/H	2	2	2	2	2	2
26	G0100-24-6	Thermostat Shield	2	2	1	1		
	G0100-36-6	Thermostat Shield			1	1	2	2

* NOT ILLUSTRATED

RECOMMENDED STOCK PARTS

GARLAND PARTS IDENTIFICATION

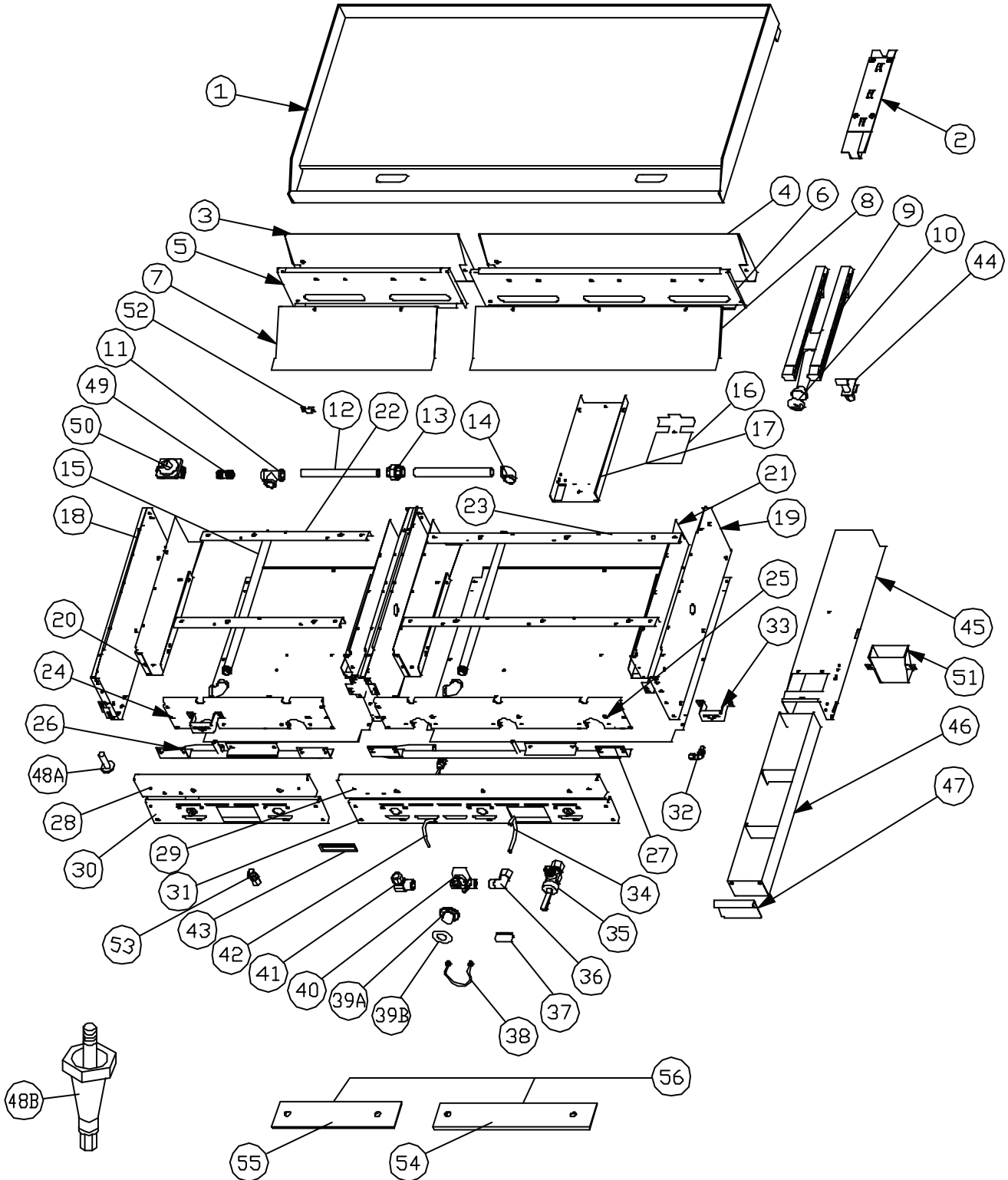
Griddles Models G24-48G,-60G,-72G & G24-48GTH,-60GTH,-72GTH

ITEM	PART #	DESCRIPTION	MODEL					
			QUANTITY					
			G24-48G	G24-48GTH	G24-60G	G24-60GTH	G24-72G	G24-72GTH
27	<i>G0114-1</i>	<i>Thermostat Up to Serial # 9805CG191R</i>		4		5		6
	<i>3072900</i>	<i>Thermostat From Serial # 9805CG191R</i>		4		5		6
	<i>M8-33</i>	<i>Small Hood Natural</i>						
	<i>M8-50</i>	<i>Small Hood Propane</i>						
28	<i>G02716-2</i>	<i>Dial - (Universal) Medium Shaft</i>		4		5		6
	<i>G02725-14</i>	<i>Dial Insert (OFF/100F/450F)</i>		4		5		6
	<i>G02725-7</i>	<i>Dial Insert (OFF/40C/230C)</i>		4		5		6
29	<i>G02716-2</i>	<i>Dial - (Universal) Medium Shaft</i>	4		5		6	
	<i>G02725-2</i>	<i>Dial Insert (OFF/MAX/MIN)</i>	4		5		6	
30	<i>G01494-8</i>	<i>1/4 Aluminum Tubing x 11.000"</i>	4	4	5	5	6	6
31	<i>G0105-00</i>	<i>Hi-Lo Valve (Less Hood)</i>	4		5		6	
	<i>M8-33</i>	<i>Small Hood Natural</i>	4		5		6	
	<i>M8-50</i>	<i>Small Hood Propane</i>	4		5		6	
32	<i>G0554-1</i>	<i>3C-2 Pilot Natural</i>	4	4	5	5	6	6
	<i>G0554-2</i>	<i>3C-2 Pilot Propane</i>	4	4	5	5	6	6
	G0554-3	3C-2 Pilot Manufactured	4	4	5	5	6	6
33	G01474-5	90 Deg. Elbow - 3/4 NPT Manufactured	3	3	3	3	3	3
34	G01738-16	3/4" NPT Pipe x 22 3/4	2	2	2	2	3	3
	G01738-20	3/4" NPT x10 5/8" Manifold Pipe	2	2	2	2	1	1
35	<i>1014900</i>	<i>Griddle H Burner</i>	4	4	5	5	6	6
36	<i>1028002</i>	<i>Air Shutter</i>	4	4	5	5	6	6
37	G2402-3-5	Top Support Prop	2	2	2	2	2	2
38	G2539-04-6	Grease Chute Assembly	2	2	2	2	2	2
39	G6809	Gum Valve 1/4	4	4	5	5	6	6
40	G01963-1	Union 3/4 NPT (1026905)	1	1	1	1	1	1
41	G03716-1	1"x.75x.75" Reducing Tee	1	1	1	1	1	1
42*	G0623-1-7	Griddle Support Strip	1	1	1	1	1	1
43	<i>2127502</i>	<i>Gas Regulator Natural 4.5"</i>						
	<i>2127500</i>	<i>Gas Regulator Propane 10"</i>						
44*	G01476-2	Tee 3/4 NPT	1	1	1	1	1	1
45*	G01738-14	Nipple 3/4 NPT x 2"	2	2	2	2	2	2
46*	2437100	1"- 3/4" Reducing Adaptor	1	1	1	1	1	1
47	2285995	Leg Channel Assembly 36"					4	4
48	2285997	Leg Channel Assembly 24"	4	4				
49	2285995	Leg Channel Assembly 36"			2	2		
	2285997	Leg Channel Assembly 24"			2	2		
60" Models Use 2 Different Leg Channel Sizes								

* NOT ILLUSTRATED

RECOMMENDED STOCK PARTS

NOTES



GARLAND PARTS IDENTIFICATION

Griddles Models G24-24GTHX, G24-36GTHX, G24-48GTHX, G24-60GTHX & G24-72GTHX

ITEM	PART #	DESCRIPTION	MODEL				
			QUANTITY				
			G24-24GTHX	G24-36GTHX	G24-48GTHX	G24-60GTHX	G24-72GTHX
1	4518923	24" Griddle Assy Reg.	1				
	4518924	24" Griddle Assy Grooved	1				
	4518925	24" Griddle Assy 12" RH	1				
	4518926	24" Griddle Assy 12" LH	1				
	4518931	36" Griddle Assy Reg.		1			
	4518932	36" Griddle Assy Grooved		1			
	4518933	36" Griddle Assy 12" RH		1			
	4518934	36" Griddle Assy 12" LH		1			
	4518935	36" Griddle Assy 24" RH		1			
	4518936	36" Griddle Assy 24" LH		1			
	4518943	48" Griddle Assy Reg.			1		
	4518944	60" Griddle Assy Reg.				1	
4518946	72" Griddle Assy Reg.					1	
2	4517190	Bulb Clamp & Shield Assy	2	3	4	5	6
3	G0134-24-6	24" Flue Back	1		2	1	
	G0134-24-9	24" Flue Back SS	1		2	1	
4	G0134-36-6	36" Flue Back		1		1	2
	G0134-36-9	36" Flue Back SS		1		1	2
5	G0104-24-8	24" Main Back	1		2	1	
	G0104-24-9	24" Main Back	1		2	1	
6	G0104-36-8	36" Main Back		2		1	2
	G0104-36-9	36" Main Back		2		1	2
7	G0103-24-6	24" Rear Aeration Shield	1		2	1	
8	G0103-36-6	36" Rear Aeration Shield		1		1	2
9	1014900	Griddle H Burner	2	3	4	5	6
10	1028002	Air Shutter	2	3	4	5	6
11	G01476-2	Tee 3/4 NPT			1	1	1
12	G01738-16	3/4 NPT Pipe X 22 3/4"			2	2	1
	G01738-20	3/4 NPT Pipe X 10 5/8"			2	2	1
13	G01963-1	Union 3/4 NPT			1	1	1
14	G01474-5	90 Deg. Elbow-3/4 NPT	1	1	3	3	3
15	G01738-16	3/4 NPT Pipe X 22 3/4"	1	1	2	2	2
16	G0102-1-6	Burner Air Baffle	2	3	4	5	6
17	4520831	Center Aeration Shield	1	2	2	3	4
18	G2588-01-82	Main Side Assembly L/H PT	1	1	2	2	2
	G2588-01-92	Main Side Assembly L/h S.S.	1	1	2	2	2
	G2588-02-82	Main Side Assembly L/H AZ	1	1	2	2	2
19	G2588-01-81	Main Side Assembly R/H PT	1	1	2	2	2
	G2588-01-91	Main Side Assembly R/H S.S.	1	1	2	2	2
	G2588-02-81	Main Side Assembly R/H AZ	1	1	2	2	2
20	G099-1-61	Side Aeration Shield R/H	1	1	1	1	1
21	G099-1-62	Side Aeration Shield L/H	1	1	1	1	1
22	4518972	Burner Rest 24"	2		4	2	
23	4518970	Burner Rest 36"		2		2	4
24	4519248	Radiation Shield Assy 24"	1		2	1	
25	4519247	Radiation Shield Assy 36"		1		1	2
26	G095-024	Manifold Assy 24"	1			2	
27	G095-036	Manifold Assy 36"		1	2	1	
28	4519009	Top Panel 24"	1		2	1	
29	4519008	Top Panel 36"		1		1	2

* NOT ILLUSTRATED

RECOMMENDED STOCK PARTS

GARLAND PARTS IDENTIFICATION

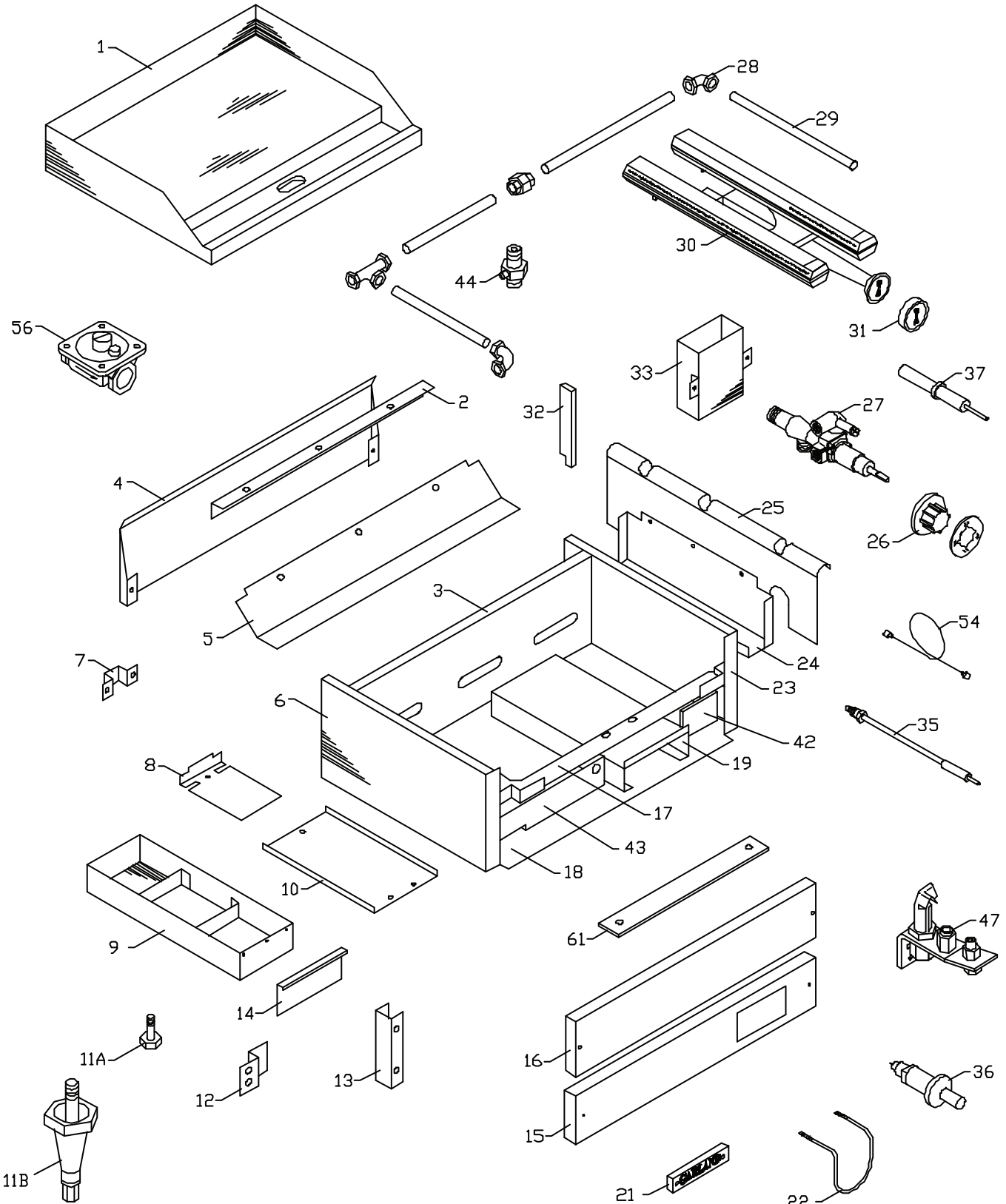
Griddles Models G24-24GTHX, G24-36GTHX, G24-48GTHX, G24-60GTHX & G24-72GTHX

ITEM	PART #	DESCRIPTION	MODEL				
			QUANTITY				
			G24-24GTHX	G24-36GTHX	G24-48GTHX	G24-60GTHX	G24-72GTHX
30	4519007	Thermostat Panel 24"	1		2	1	
31	4518960	Thermostat Panel 36"		1		1	2
32	2431900	Orifice Fitting Assembly	2	3	4	5	6
33	4518957	Orifice Holder (Natural #30)	2	3	4	5	6
	4518957	Orifice Holder (Propane #51)	2	3	4	5	6
34	4520720	7/16 Flexible – Tubing Valve – Thermostat	2	3	4	5	6
35	4518984	On-Off Valve	2	3	4	5	6
36	076050-26	Elbow Comp. 69-6c.3/8T x 3/8M.	2	3	4	5	6
37	1089100	Knob	2	3	4	5	6
38	G0728-1-8P	Therm. Guard-Plated C/W Nuts	2	3	4	5	6
39A	G02716-1	Dial (Universal) Small Shaft	2	3	4	5	6
39B	G02725-19	Dial Insert (OFF / 100F / 450F)	2	3	4	5	6
	G02725-11	Dial Insert (OFF / 40F / 250F)	2	3	4	5	6
40	4518985	GS Thermostat	2	3	4	5	6
41	G02352-1	Elbow 3/8 NPT To 7/16CC 69-7C	2	3	4	5	6
42	4520721	3/8 Flexible – Tubing Thermostat – Orifice	2	3	4	5	6
43	3077101	Garland Nameplate 4 7/8" Small	1	1	1	1	1
44	G0554-1	3C-2 Pilot Natural	2	3	4	5	6
	G0554-2	3C-2 Pilot Propane	2	3	4	5	6
45	4518969	Grease Tray Cover	1	1	2	2	2
46	4518967	Grease Pan Assy	1	1	2	2	2
47	4518968	Grease Pan Handle	1	1	2	2	2
48A	F157	Leveling Bolt – 3/8 -16x 1 1/16"	4	4	8	8	8
48B	078109-2	4" Adjustable Metal Leg	4	4	8	8	8
49	G01738-14	Nipple 3/4 NPT X 2"			2	2	2
50	2127502	Gas Regulator Natural 4"	1	1	1	1	1
	2127500	Gas Regulator Propane 10"	1	1	1	1	1
51	4518983	Grease Chute Assy	1	1	2	2	2
52	G0312-1-9	Banking Plate	1	1	2	2	2
53	G6809	Gum Valve 1/4"	2	3	4	5	6
54	2285995	Leg Channel Assembly 36"		2			4
55	2285997	Leg Channel Assembly 24"	2		4		
56	2285995	Leg Channel Assembly 36"				2	
	2285997	Leg Channel Assembly 24"				2	
	60" Models Use 2 Different Leg Channel Sizes						
57*	1822602	Label ON/OFF – W/English & French	1	1	1	1	1

* NOT ILLUSTRATED

RECOMMENDED STOCK PARTS

NOTES



Griddle G24-03.dwg

GARLAND PARTS IDENTIFICATION

Griddles Flame Failure Series Models G24-24GFSD AND G24-36GFSD

ITEM	PART #	DESCRIPTION	MODEL	
			QUANTITY	
			G24-24GFSD	G24-36GFSD
1	G0567-024-8	Griddle Assembly	1	
	2220999	24" Grooved Griddle Assembly	1	
	2220997	24" Grooved Griddle Assembly	1	
	2220998	24" Grooved Griddle Assembly	1	
	G0567-036-8	Griddle Assembly		1
	2220799	36" Grooved Griddle Assembly		1
	2220797	36" Grooved Griddle Assembly		1
	2220798	36" Grooved Griddle Assembly		1
	2220795	36" Grooved Griddle Assembly		1
2220796	36" Grooved Griddle Assembly		1	
2	4518972	Burner Rest	1	
	4518970	Burner Rest		1
3	G0104-24-8	Main Back	1	
	G0104-24-9	Main Back	1	
	G0104-36-8	Main Back		1
	G0104-36-9	Main Back		1
4	G0134-24-6	Flue Back	1	
	G0134-24-9	Flue Back	1	
	G0134-36-6	Flue Back		1
	G0134-36-9	Flue Back		1
5	G0103-24-6	Rear Aeration Shield	1	
	G0103-36-6	Rear Aeration Shield		1
6	G2588-01-82	Main Side Assembly L/H	1	1
	G2588-01-92	Main Side Assembly L/H	1	1
7	G0312-1-9	Banking Plate	1	1
8	G0102-1-6	Burner Air Baffle	2	3
9	G2176-01-8	Grease Pan Assembly	1	1
10	G0101-1-6	Centre Aeration Shield	1	2
11A	F157	Leveling Bolt-3/8-16x1 1/16"	4	4
11B	078109-2	4" Adjustable Metal Leg	4	4
12	G2227-2-7	Bracket	2	2
13	G0486-1-7	Lower Front Panel Support	2	2
14	G2175-1-9	Grease Pan Front	1	1
15	1493000	Lower Front Panel 24"	1	
	2031600	Lower Front Panel 36"		1
16	2171900	Upper Front Panel 24"	1	
	2172000	Upper Front Panel 36"		1
17	2020699	Manifold Assembly G24-24G Up to Serial # 9602CG147R	1	
	G095-024	Manifold Assembly From Serial # 9602CG148R	1	
	2020698	Manifold Assembly G24-36G Up to Serial # 9602CG147R		1
	G095-036	Manifold Assembly From Serial # 9602CG148R		1
18	G091-24-7	Main Bottom	1	
	G091-36-7	Main Bottom		1
19	G7474-1-7	Cover (Grease Tray)	1	1
20*	G1555-6	Blank I.D Plate	2	3
21	3077101	Garland Nameplate 4 7/8"	1	1
22	G0728-1-8P	Therm. Guard-Plated C/W Nuts	2	3

* NOT ILLUSTRATED

RECOMMENDED STOCK PARTS

GARLAND PARTS IDENTIFICATION

Griddles Flame Failure Series Models G24-24GFSD AND G24-36GFSD

ITEM	PART #	DESCRIPTION	MODEL	
			QUANTITY	
			G24-24GFSD	G24-36GFSD
23	G2588-01-81	Main Side Assembly R/H	1	1
	G2588-01-91	Main Side Assembly R/H	1	1
24	G099-1-61	Side Aeration Shield R/H	1	1
	G099-1-62	Side Aeration Shield L/H	1	1
25	2171700	Front Radiation Shield 24" Up to Serial # 9602CG147R	1	
	2544500	Front Rad Shield From Serial # 9602CG148R	1	
	2171800	Front Radiation Shield 36" Up to Serial # 9602CG147R		1
	2544400	Front Rad Shield From Serial # 9602CG148R		1
26	G02716-2	Dial - (Universal) Medium Shaft Up to Serial # 9602CG147R	2	3
	G02725-33	Dia Inert (OFF/MAX/MIN) Up to Serial # 9602CG147R	2	3
	G02716-4	Dial From Serial # 9602CG148R	2	3
	G02725-35	Dial Insert From Serial # 9602CG148R	2	3
27	2043500	Flame Failure Valve Natural Up to Serial # 9602CG147R	2	3
	2043501	Flame Failure Valve Propane Up to Serial # 9602CG147R	2	3
	2200198	Flame Failure Valve From Serial # 9602CG148R	2	3
28	G01474-5	90 Deg. Elbow - 3.4 NPT Manufactured	1	1
29	G01738-16	3/4 NPT Pipe X 22 3/4"	1	1
30	1014900	Griddle H Burner	2	3
31	1028002	Air Shutter	2	3
32	G2402-3-5	Top Support Prop	1	1
33	G2539-04-6	Grease Chute Assembly	1	1
34*	2155202	M8 x 1 Brass Nut	4	6
35	2200600	18"Thermocouple From Serial # 9602CG148R	2	3
	2155200	16"Thernocouple Up to Serial # 9602CG147R	2	3
36	1309201	Piezo Igniter #1244-41	2	3
37	2144101	Spark Electrode Up to Serial # 9602CG147R	2	3
	2200708	Electrode From Serial # 9602CG148R	2	3
38*	076029-172	Nipple 1/8" NPT x 2.5"	2	3
40*	076029-66	1/8 N.P.T. Pipe Coupling Brass	2	3
41*	G01917-1	Elbow 1/8NPT STR. Brass 115-A	4	6
42	2171500	Heat Baffle RT Up to Serial # 9602CG147R	1	1
	2547100	Heat Baffle RT From Serial # 9602CG148R	1	1

* NOT ILLUSTRATED

RECOMMENDED STOCK PARTS

GARLAND PARTS IDENTIFICATION

Griddles Flame Failure Series Models G24-24GFSD AND G24-36GFSD

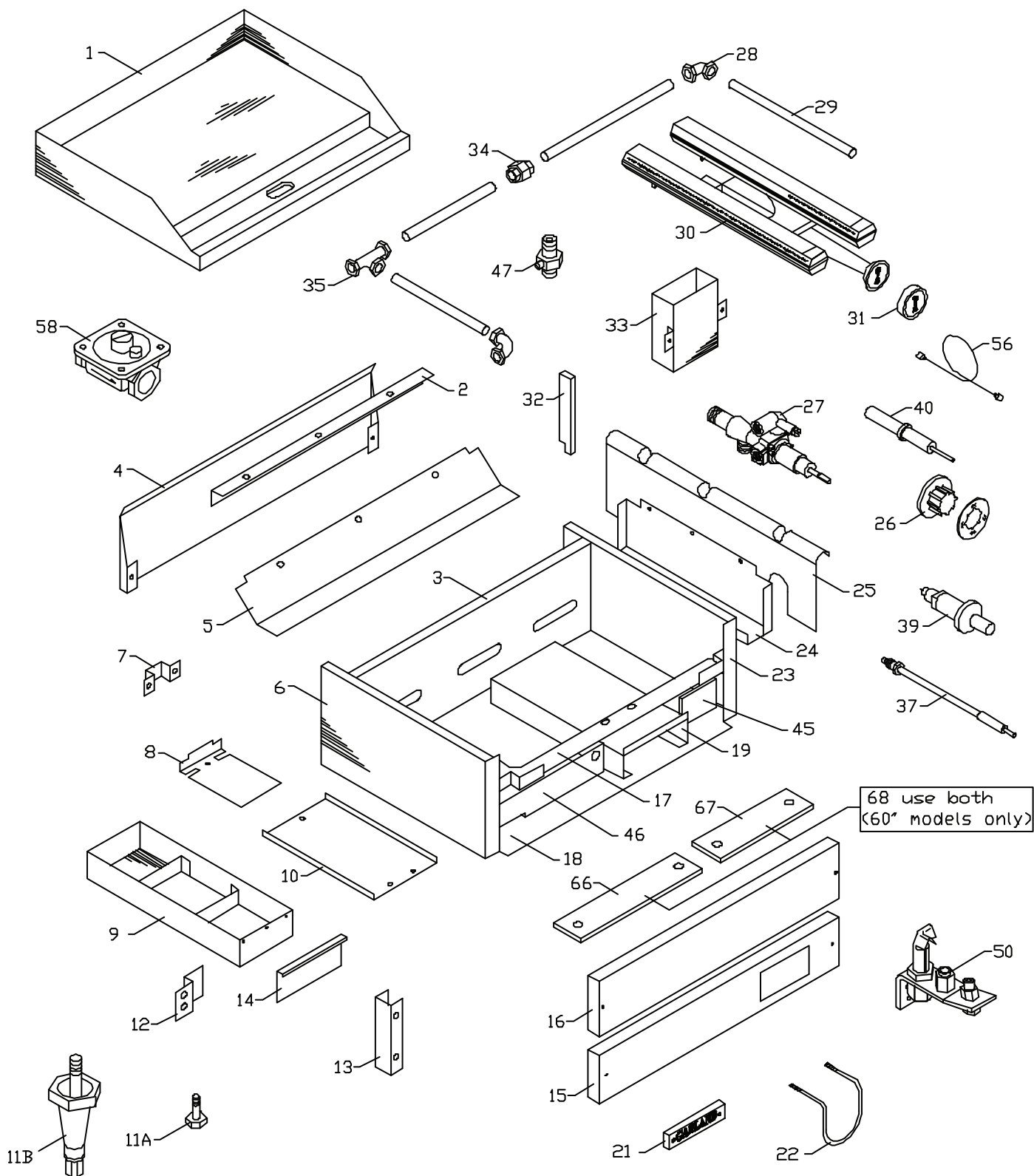
ITEM	PART #	DESCRIPTION	MODEL	
			QUANTITY	
			G24-24GFSD	G24-36GFSD
43	2171600	Heat Baffle LT (7.750) Up to Serial # 9602CG147R	1	
	2547000	Heat Baffle LT 24" From Serial # 9602CG148R	1	
	2171601	Heat Baffle LT 19.750 Up to Serial # 9602CG147R		1
	2546900	Heat Baffle LT 36" From Serial # 9602CG148R		1
44	G02251-1	Pressure Test Spigot	1	1
45*	21045XX	Orifice Fitting Up to Serial # 9602CG147R	2	3

Parts Listed Below Used From Serial # 9602CG148R

46*	2544600	Pilot Bracket	2	3
47	2200700	Pilot Right Hand	2	3
48*	2200702	Pilot Orifice #32 (Natural)	2	3
	2200703	Pilot Orifice #23 (Propane)	2	3
	2200709	Pilot Orifice # 40 (Manufactured)	2	3
49*	2200704	3/16 Compression Nut	2	3
50*	2200705	Olive 3/16" Ball Sleeve	2	3
51*	2200706	Nut Thermo Retaining	2	3
52*	2200707	Nut Electrode	2	3
54	2200202	24 H T Wire Lead"	2	3
55*	M8-33	Small Hood Natural	2	3
	M8-50	Small Hood Propane	2	3
56	2127502	Gas Regulator Natural 4.5"	1	1
	2127500	Gas Regulator Propane 10"	1	1
	3018200	Regulator Nat 4.5 (R500FM-66) CE Mark Model Only	1	1
	3018201	Regulator Pro 10.0 (R5210-512) CE Mark Model Only	1	1
57*	2544300	Orifice Block	2	3
58*	1086597	3/16 Pilot Adjusting Valve	2	3
59*	2564000	3/16" Pilot Tubing	2	3
60*	2564100	1/4" Orifice Tubing	2	3
61	2285997	Leg Channel Assembly 24"	2	
	2285995	Leg Channel Assembly 36"		2

* NOT ILLUSTRATED

RECOMMENDED STOCK PARTS



GARLAND PARTS IDENTIFICATION

Griddles Flame Failure Series Models G24-48GFSD,-60GFSD AND -72GFSD

ITEM	PART #	DESCRIPTION	MODEL		
			QUANTITY		
			G24 -48GFSD	G24 -60GFSD	G24 -72GFSD
1	G0567-048-8	Griddle Assembly	1		
	2472899	48" Griddle Assembly	1		
	2472898	48" Griddle Assembly	1		
	G0567-060-8	Griddle Assembly		1	
	G0567-072-8	Griddle Assembly			1
2	4518972	Burner Rest	2	1	
	4518970	Burner Rest		1	2
3	G0104-24-8	Main Back	2	1	
	G0104-24-9	Main Back	2	1	
	G0104-36-8	Main Back		1	2
	G0104-36-9	Main Back		1	2
4	G0134-24-6	Flue Back	2	1	
	G0134-24-9	Flue Back	2	1	
	G0134-36-6	Flue Back		1	2
	G0134-36-9	Flue Back		1	2
5	G0103-24-6	Rear Aeration Shield	2	1	
	G0103-36-6	Rear Aeration Shield		1	2
6	G2588-01-82	Main Side Assembly L/H	1	1	1
	G2588-01-92	Main Side Assembly L/H	1	1	1
	G2588-02-82	Main Side Assembly L/H	1	1	1
7	G0312-1-9	Banking Plate	2	2	2
8	G0102-1-6	Burner Air Baffle	4	5	6
9	G2176-01-8	Grease Pan Assembly	2	2	2
10	G0101-1-6	Centre Aeration Shield	2	3	4
11A	F157	Leveling Bolt-3/8-16X1 1/16"	8	8	8
11B	078109-2	4" Adjustable Metal Leg	8	8	8
12	G2227-2-7	Bracket	4	4	4
13	G0486-1-7	Lower Front Panel Support	4	4	4
14	G2175-1-9	Grease Pan Front	2	2	2
15	1493000	Lower Front Panel 24"	2	1	
	2031600	Lower Front Panel 36"		1	2
16	2171900	Upper Front Panel 24"	2	1	
	2172000	Upper Front Panel 36"		1	2
17	2020699	Manifold Assembly G24-24GA Up to Serial # 9602CG147R	2	1	
	G095-024	Manifold Assembly From Serial # 9602CG148R	2	1	
	2020698	Manifold Assembly G24-36GA Up to Serial # 9602CG147R		1	2
	G095-036	Manifold Assembly From Serial # 9602CG148R		1	2
18	G091-24-7	Main Bottom	2	1	
	G091-36-7	Main Bottom		1	2
19	G7474-1-7	Cover (Grease Tray)	2	2	2
20*	G1555-6	Blank I.D. Plated	4	5	6
21	3077101	Garland Nameplate 4 3/8"	2	2	2
22	G0728-1-8P	Therm. Guard-Plated C/W Nut	4	5	6
23	G2588-01-81	Main Side Assembly R/H	1	1	1
	G2588-01-91	Main Side Assembly R/H	1	1	1
	G2588-02-81	Main Side Assembly R/H	1	1	1

* NOT ILLUSTRATED

RECOMMENDED STOCK PARTS

GARLAND PARTS IDENTIFICATION

Griddles Flame Failure Series Models G24-48GFSD,-60GFSD AND -72GFSD

ITEM	PART #	DESCRIPTION	MODEL		
			QUANTITY		
			G24 -48GFSD	G24 -60GFSD	G24 -72GFSD
24	G099-1-61	Side Aeration Shield R/H	2	2	2
	G099-1-62	Side Aeration Shield L/H	2	2	2
25	2171700	Front Radiation Shield 24" Up to Serial # 9602CG147R	2	1	
	2544500	Front Rad Shield From Serial # 9602CG148R	2	1	
	2171800	Front Radiation Shield 36" Up to Serial # 9602CG147R		1	2
	2544400	Front Rad Shield From Serial # 9602CG148R		1	2
26	G02716-2	Dial - (Universal) Medium Shaft Up to Serial # 9602CG147R	4	5	6
	G02725-33	Dial Insert (OFF/MAX/MIN) Up to Serial # 9602CG147R	4	5	6
	G02716-4	Dial From Serial # 9602CG148R	4	5	6
	G02725-35	Dial Insert From Serial # 9602CG148R	4	5	6
27	2043500	Flame Failure Valve Natural Up to Serial # 9602CG147R	4	5	6
	2043501	Flame Failure Valve Propane Up to Serial # 9602CG147R	4	5	6
	2200198	Flame Failure Valve From Serial # 9602CG148R	4	5	6
28	G01474-5	90 Deg. Elbow - 3/4 NPT Manufactured	3	3	3
29	G01738-16	3/4 NPT Pipe X 22 3/4"	2	2	3
	G01738-20	3/4NPT X10 5/8" Manifold Pipe"	2	2	1
30	1014900	Griddle H Burner	4	5	6
31	1028002	Air Shutter	4	5	6
32	G2402-3-5	Top Support Prop	2	2	2
33	G2539-04-6	Grease Chute Assembly	2	2	2
34	G01963-1	Union 3/4 NPT (1026905)	1	1	1
35	G03716-1	1"x.75"x.75" Reducing Tee	1	1	1
36*	G0623-1-7	Griddle Support Strip	1	1	1
37	2200600	18" Thermocouple From Serial # 9602CG148R	4	5	6
	2155200	16" Thermocouple Up to Serial # 9602CG147R	4	4	6
38*	2155202	M8 x 1 Brass Nut Up to Serial # 9602CG147R	8	10	12
39	1309201	Piezo Igniter #1244-41	4	5	6
40	2144101	Spark Electrode Up to Serial # 9602CG147R	4	5	6
	2200708	Electrode From Serial # 9602CG148R	4	5	6
41*	076029-172	Nipple 1/8 NPT X 2.5"	4	5	6
42*	076029-44	Elbow 1/8 NPT x 90 Deg. D100A	4	5	6
43*	076029-66	1/8 N.P.T. Pipe Coupling Brass	4	5	6
44*	G01917-1	Elbow 1/8" NPT STR. Brass 115-A	9	11	13
45	2171500	Heat Baffle RT Up to Serial # 9602CG147R	2	2	2
	2547100	Heat Baffle RT From Serial # 9602CG148R	2	2	2

* NOT ILLUSTRATED

RECOMMENDED STOCK PARTS

GARLAND PARTS IDENTIFICATION

Griddles Flame Failure Series Models G24-48GFSD,-60GFSD AND -72GFSD

ITEM	PART #	DESCRIPTION	MODEL		
			QUANTITY		
			G24 -48GFSD	G24 -60GFSD	G24 -72GFSD
46	2171600	Heat Baffle LT (7.750) Up to Serial # 9602CG147R	2	1	
	2547000	Heat Baffle LT 24" From Serial # 9602CG148R	2	1	
	2171601	Heat Baffle LT 19.750 Up to Serial # 9602CG147R		1	2
	2546900	Heat Baffle LT 36" From Serial # 9602CG148R		1	2
47	G02251-1	Pressure Test Spigot	2	2	2
48*	21045XX	Orifice Fitting Up to Serial # 9602CG147R	4	5	6

Parts Listed Below Used From Serial # 9602CG148R

49*	2544600	Pilot Bracket	4	5	6
50	2200700	Pilot Right Hand	4	5	6
51*	2200702	Pilot Orifice #32 (Natural)	4	5	6
	2200703	Pilot Orifice #23 (Propane)	4	5	6
	2200709	Pilot Orifice # 40 (Manufactured)	4	5	6
52*	2200704	3/16" Compression Nut	4	5	6
53*	2200705	Olive 3/16" Ball Sleeve	4	5	6
54*	2200706	Nut Thermo Retaining	4	5	6
55*	2200707	Nut Electrode	4	5	6
56	2200202	24" H T Wire Lead	4	5	6
57*	M8-33	Small Hood Natural	4	5	6
	M8-50	Small Hood Propane	4	5	6
58	2127502	Gas Regulator Natural 4.5"	1	1	1
	2127500	Gas Regulator Propane 10"	1	1	1
	3018200	Regulator Nat 4.5 (R500FM-66) CE Mark Model Only			
	3018201	Regulator Pro 10.0 (R5210-512) CE Mark Model Only			
59*	2544300	Orifice Block	4	5	6
60*	1086597	3/16 Pilot Adjusting Valve	4	5	6
61*	2564000	3/16" Pilot Tubing	4	5	6
62*	2564100	1/4" Orifice Tubing	4	5	6
63*	G01476-2	Tee 3/4 NPT	1	1	1
64*	G01738-14	Nipple 3/4 NPT X 2"	2	2	2
65*	2437100	1"- 3/4" Reducing Adaptor	1	1	1
66	2285995	Leg Channel Assembly 36"			4
67	2285997	Leg Channel Assembly 24"	4		
68	2285995	Leg Channel Assembly 36"		2	
	2285997	Leg Channel Assembly 24"		2	
60" Models Use 2 Different Leg Channel Sizes					

* NOT ILLUSTRATED

RECOMMENDED STOCK PARTS

GARLAND PARTS IDENTIFICATION

Revision History

REV. #	PAGE #	ITEM #	NOTE	DATE	
2	15	27	Thermostat Serial # Added	July 15/03	
3	18	37	Drawing Revised, Item Mislabeled, Was 53	Jun 03/04	
	21		Item 53 Deleted Duplicated of 37		
	22	27, 40	Drawing Revised Items Mislabeled Was 61, 56		
	24	40	Item Mislabeled Was 37		
4			Entire Book Reformatted	Mar 10/05	
	18		New Griddle Model Added		
5	12	27	Thermostat Serial # Added	Mar 14/05	
6	4, 6, 10, 14, 18, 22, 36		New Drawing	May 10/05	
	5	36	New Part Number Added - Leg Channel Assembly For Reinforced Leg Support		
	8	52			
	12	41			
	16	47, 48, 49			
	20	53, 54, 55			
	25	61			
29	66, 67, 68				
7	18		New Drawing	May 30/05	
	20	53	New Part # Added		
			Item # 53 Changed to 54/ Item #54 Changed to 55 56 New Item #		
8	3		More Contents Details Added	Aug 25/05	
9	11,15 23, 27	2	Part # G098-24-8 Replaced by 4518972 Part # G098-36-8 Replaced by 4518970	Nov 11/05	
	18	39B	New Drawing		
	19	17	Part Number Changed – Was G0101-1-6		
	20	34	34		Part Number & Description Changed – Was 4518974
			39		Item 39 Split Into 39A & 39B
			42		Part Number & Description Changed – Was 4518977
			39B 57*		New Part Numbers Added
10	5,7,11 15,23,27	13,16,22 22,21,21	Part # 1902919 Replaced By 3077101	Sep 12/06	
	4,5 10,11 14,15	12A	Description Changed – Item # Changed was 12		
		12B	New Part Number Added		
	6,7	15A	Description Changed – Item # Changed was 15		
		15B	New Part Number Added		
	18,20	48A	Description Changed – Item # Changed was 48		
		48B	New Part Number Added		
	22,23 26,27	11A	Description Changed – Item # Changed was 11		
		11B	New Part Number Added		
	8,23,25,29	49,3,54,56	Asterisk Deleted		
	8	47	Asterrisk Added		
25	53	Part # Deleted			

NOTES

 **GARLAND**[®]