



*Model MCO-ES-10*

### Specification:

Garland Master full-size Standard Depth Single or Double (MCO-ES-10/20) or Deep Depth Single or Double (MCO-ED-10/20) electric convection oven. 10.4 kW/cavity, 3/4 HP fan motor with variable-mode fan speed control. Master 450 Digital Control. Auto-Set Back, energy saving and Auto Cool Down features. Porcelain enameled oven interior with coved corners, Six (6) oven racks and 13-position rack guides. Interior measures 29" (736mm)W x 24" (610mm)H x 24" (610mm)D for standard depth and 29" (736mm)W x 24" (610mm)H x 28" (610mm)D for deep depth. Stainless steel front, sides, top, and legs. 60/40 dependent door design with double pane thermal window in both doors and interior lighting. Specify voltage and phase. UL, CUL, NSF listed and CE certified.



### Standard Features:

- Master 450 Solid State Digital control with Cook 'n' Hold and 150°F (66°C) to 500°F (260°C) temperature range. 100 hour timer displays hours/ minutes above 60 minutes and minutes/seconds below 60 minutes
- User-programmable Auto-Setback energy saving feature sets back oven temperature to 250°F when oven idle for 30 minutes
- Auto-Cool Down feature automatically cools down oven cavity before shutting off the oven which prolongs fan motor life
- Two Speed fan control (high, low & pulse) with 3/4 HP fan motor
- Total of 10.4 kW loading per oven cavity
- Stainless steel front, sides, top, and legs
- 60/40 dependent door design with double pane thermal window in both doors and interior lighting
- Full length, stainless steel positive door closure
- Porcelain enameled oven interior with coved corners
- Six (6) chrome plated oven racks on 13-position rack guides
- Double deck models available
- One year limited parts & labor warranty (USA & Canada only).
- Five year limited door warranty, excluding window (USA & Canada only)

### Optional Features:

- Master 455 Solid State Digital Control with Cook-N-Hold plus core probe
- Stainless steel solid doors
- Stainless steel oven interior
- Extra oven racks
- 4 Swivel casters, w/front brakes,
- 4 Low profile casters, w/front brakes (double ovens only)
- Stainless steel open base w/rack guides & shelf
- Mobile cart loading system w/basket dollies (deep depth oven only)
- Stainless steel back enclosure
- 460 volt, 3 phase

*NOTE: Ovens supplied with casters must be installed with an approved restraining device.*

**Garland Commercial Industries, Inc.**  
 185 East South Street  
 Freeland, Pennsylvania 18224  
 Phone: (570) 636-1000  
 Fax: (570) 636-3903

**Garland Commercial Ranges Ltd**  
 1177 Kamato Road, Mississauga, Ontario  
 L4W 1X4 CANADA  
 Phone: 905-624-0260  
 Fax: 905-624-5669

**Enodis UK LTD**  
 Swallowfield Way, Hayes, Middlesex  
 UB3 1DQ ENGLAND  
 Telephone: 081-561-0433  
 Fax: 081-848-0041



Item #: \_\_\_\_\_

Models: MCO-ES10/20, MCO-ED-10/20

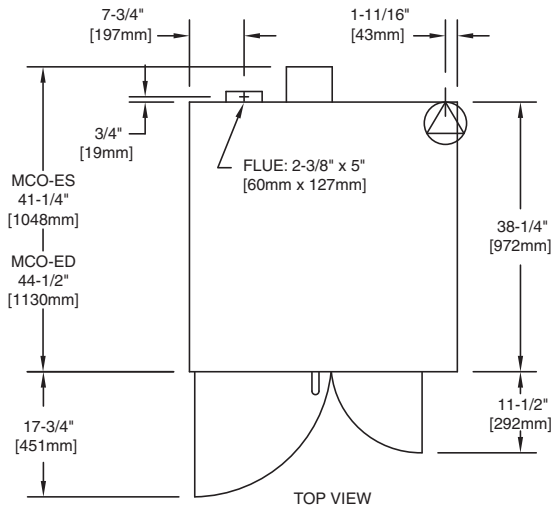
Product Name: Master Electric Convection Oven

Model*	Total kW	Nominal Amperes Per Line, (includes 3/4 HP fan motor)																
		208V/1Ph	240V/1Ph	208V/3Ph			240V/3Ph			460V/3Ph			380V/3Ph**			415V/3Ph		
				X	Y	Z	X	Y	Z	X	Y	Z	X	Y	Z	X	Y	Z
MCO-ES-10	10.4	50	43	30	30	28	26	26	24	14	14	13	15	13	13	16	14	14
MCO-ED-10	10.4	50	43	30	30	28	26	26	24	14	14	13	15	13	13	16	14	14

\*\*Total kW rating for 380/3 phase models is 9.0

Model	Interior Dimensions (per oven)			Exterior Dimensions			Ship Weight/Size	
	W:In(mm)	H:In(mm)	D:In(mm)	W:In(mm)	H:In(mm)***	D:In(mm)	Lbs./Kg	Cu. Ft.
MCO-ES-10	29 (736)	24 (610)	24 (610)	38 (965)	57-1/2 (1461)	41-1/4 (1048)	550/250	42
MCO-ES-20	29 (736)	24 (610)	24 (610)	38 (965)	70-1/2 (1791)	41-1/4 (1048)	1100/500	84
MCO-ED-10	29 (736)	24 (610)	28 (711)	38 (965)	57-1/2 (1461)	44-1/2(1130)	550/250	42
MCO-ED-20	29 (736)	24 (610)	28 (711)	38 (965)	70-1/2 (1791)	44-1/2(1130)	1100/500	84

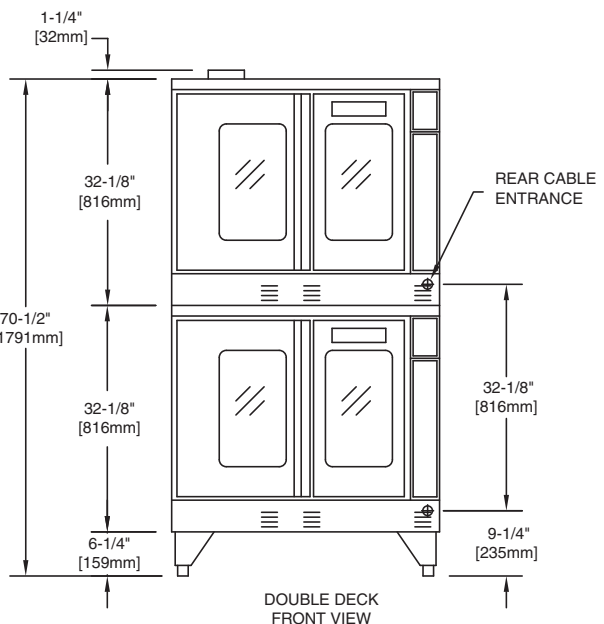
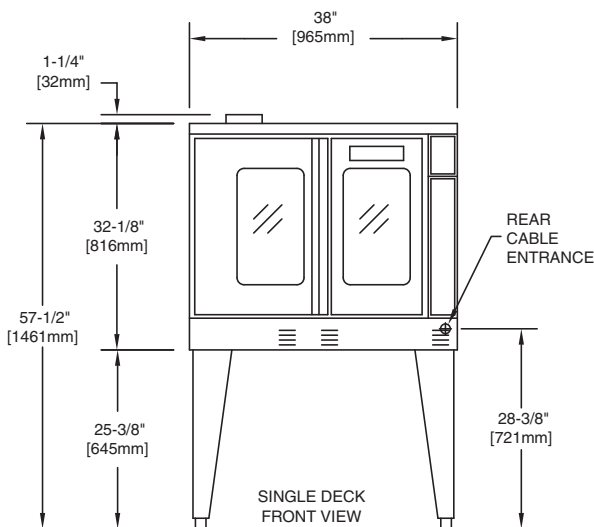
\*\*\* Height with or without standard casters. Height with low profile casters (double deck) is 68-1/2" (1740mm).



Electrical specifications include motor requirements. 3/4, HP, 2-speed motor: 1725/1140 rpm, (60Hz); or 1440/950 rpm (50Hz) Please specify electrical characteristics when ordering.

\* NOTE: Double deck models with suffix "-20" are provided with individual power supply connections

Installation Notes:			
Non-Combustible and Combustible Wall Clearances		Entry Clearance:	
Sides	1" (25mm)	Crated	47" (1194mm)
Back	3" (76mm)	Uncrated	32-1/2" (826 mm)



Continuous product improvement is a Garland policy. Specifications and design are subject to change without notice