



Item #: \_\_\_\_\_

Models: E56PB, E56PT, E56PT/B

Product Name: Air Deck, Electric Deck Oven



*Model E56PT*

**Standard Features:**

- Stainless steel front, sides, top, and legs
- Porcelainized control panel
- Full deck-width, balanced spring-loaded door
- Stainless steel perforated deck
- Electronic ignition
- Snap action thermostat (550° F/ 288° C max.)
- Bakes w/air impingement – top & bottom
- Heat control damper system
- 15 Kw element package
- Single speed fan with 3/4 HP motor
- Deck surface – 56” (1422mm) W x 36” (914mm) D
- Floor space – 63” (1600mm) W x 45” (1143mm) D
- Door opening – 53” (1346mm) W x 7-1/2” (190mm) H
- 1 Year limited parts & labor warranty, (USA & Canada only)

**Optional Features:**

- Stainless steel main back

**Specification:**

Unique energy delivery system driven by controlled hot air flow designed for high volume operation. Offers minimum preheat time; no recovery time; consistent selected temperatures; high quality production, and menu versatility.

**AIR DECK**



*Model E56PT/B*

Garland Commercial Industries, Inc.  
 185 East South Street  
 Freeland, Pennsylvania 18224  
 Phone: (570) 636-1000  
 Fax: (570) 636-3903

Garland Commercial Ranges Ltd  
 1177 Kamato Road, Mississauga, Ontario  
 L4W 1X4 CANADA  
 Phone: 905-624-0260  
 Fax: 905-624-5669

Enodis UK LTD  
 Swallowfield Way, Hayes, Middlesex  
 UB3 1DQ ENGLAND  
 Telephone: 081-561-0433  
 Fax: 081-848-0041

GARLAND® ELECTRIC Air Deck, Electric Deck Oven Models: E56PB, E56PT, E56PT/B



Item #: \_\_\_\_\_

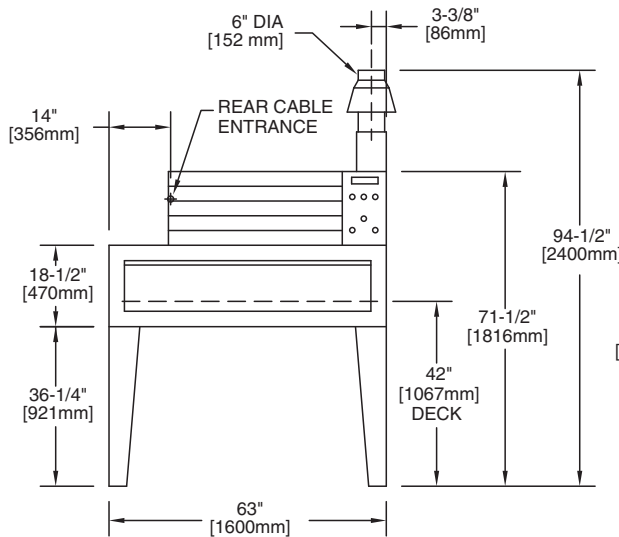
Models: E56PB, E56PT, E56PT/B

Product Name: Air Deck, Electric Deck Oven

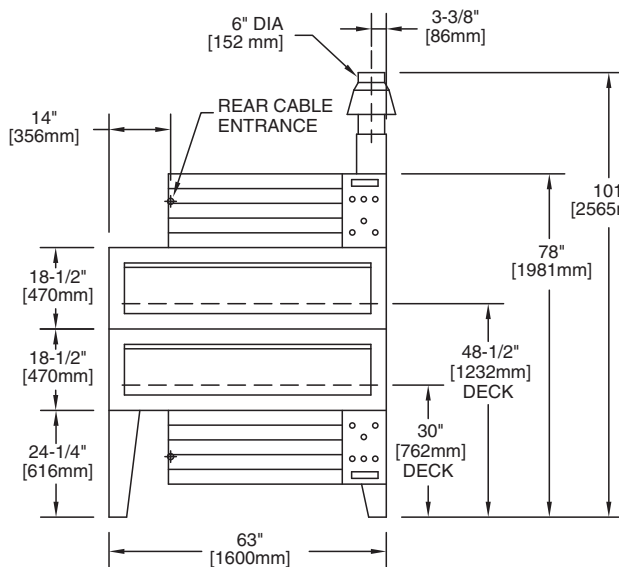
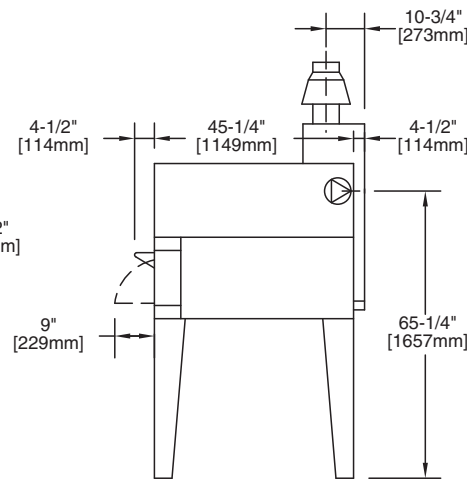
Model	Total Loading	Nominal Amperes Per Line								Shipping Weight Lbs./ Kg
		208V	240V	208V/3Ph			240V/3Ph			
		1Ph	1Ph	X	Y	Z	X	Y	Z	
E56PB	15 kW	72	63	43	39	43	38	36	38	1050/477
E56PT	15 kW	72	63	43	39	43	38	36	38	1050/477
E56T/B	30 kW	(2) 72	(2) 43	(2) 43	(2) 39	(2) 43	(2) 38	(2) 36	(2) 38	2100/954

Model	No. Decks	Deck Area	Pizza Capacity
E56PB	1	14 Sq. Ft.	6(18")
E56PT	1	14 Sq. Ft.	6(18")
E56T/B	2	28 Sq. Ft.	12 (18")

Combustible Wall Clearance:		Oven Door Openings	
		Width	53-1/4" (1353mm)
		Height	7-1/2" (190mm)
Sides	6" (152mm)	Entry Clearances	
Back	6" (152mm)	Crated	45" (1143mm)
Base	8" (203mm)	Uncrated	35-1/2" (902mm)



Deck with top power module and Direct Connect Venting



Deck (1) top power module (1) bottom power module and Direct Connect Venting

