



ME 106/126 K-F MODEL

PARTS LIST

Toll Free Phone, (US & Canada): (800) 427-6668

Toll Free Fax, (US & Canada): (800) 361-7745

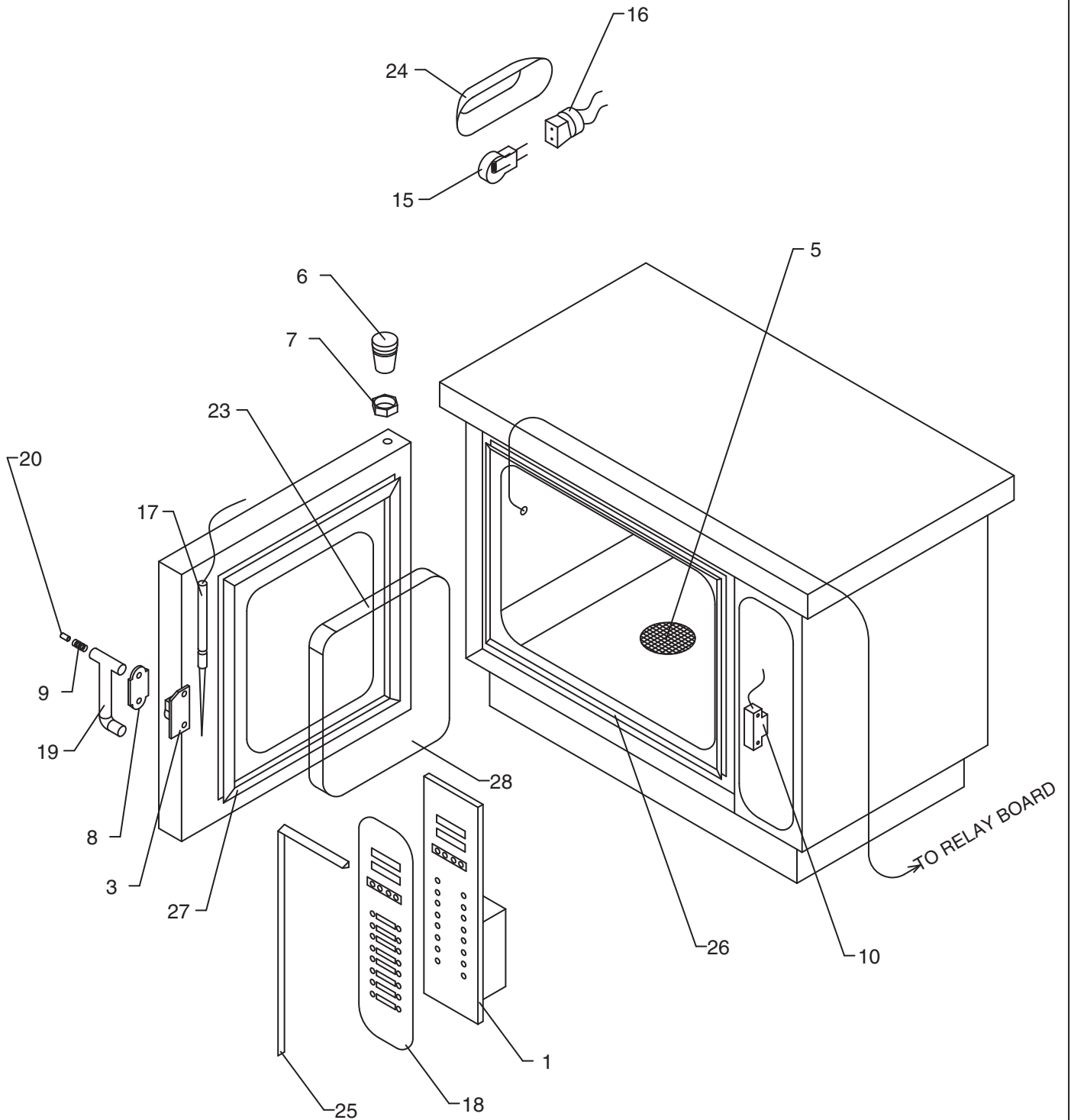
<http://www.garland-group.com>



ME 106/126 K-F MODEL

Contents:

Convection Oven ME 106/126 K-F Exterior Components.dwg	Page 4
Convection Oven ME 106/126 K-F Interior Components.dwg	Page 6



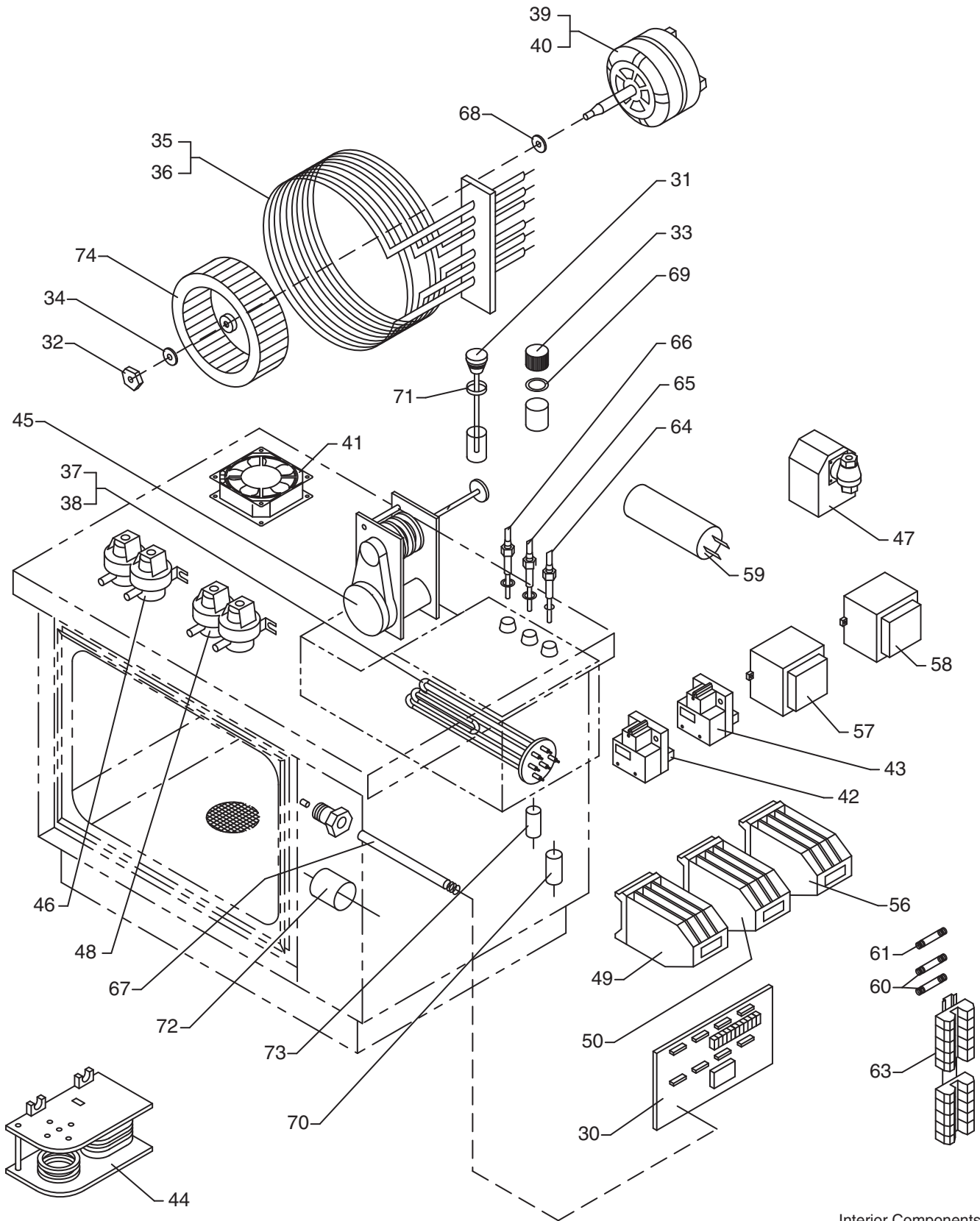
GARLAND PARTS IDENTIFICATION

Combi Oven ME 106/126 K-F

ITEM	PART #	DESCRIPTION
1	2545300	KFC Combi Controller
2*	2608099	Lainox Stack/Vent Kit
3	L10100110	Pronge Flange
4*	L10200900	Boiler-ME106K-F
5	L10201700	Drain Filter
6	L58002150	Hinge Pin
7	L58004050	Hinge Pin Nut
8	L61620012	Catch Spring
9	L61620041	Button Spring
10	L65265100	Door Switch-Use LR65265100
15	L65270020	Light
16	L65270400	Light Socket
17	L65320770	Core Temp. Sensor
18	L67291050	Plate K-F
19	L69015010	Door Handle (Combi Oven)
20	L69031190	Handle Push Button
21*	L69090110	Castor-No Brake
22*	L69090120	Castor C/W Brake
23	L70040730	Glass Gasket
24	L70040800	Lamp Gasket
25	L70040880	Control Panel Gasket
26	L70040980	Front Gasket
27	L70042090	Door Gasket
28	L71105000	Glass Door

* NOT ILLUSTRATED

RECOMMENDED STOCK ITEMS



GARLAND PARTS IDENTIFICATION

Combi Oven ME 106/126 K-F

ITEM	PART #	DESCRIPTION
30	2545400	Relay Board
31	L10100140	Steam Outlet Cap
32	L58004020	Fan Security Nut
33	L58005680	Boiler Descale Cap
34	L61400052	Fan Washer
35	L65010565	Element (Oven) 208V For 208 Version
36	L65010650	Element (Oven) 277V For 480 Version
37	L65020310	Element (Boiler)
38	L65020340	Steam Gen. Heating Element 7500W
39	L65040011	Motor 208V 2-Speed (For 208V Version)
40	L65040730	Motor (For 480V Version)
41	L65060010	Cooling Fan
42	L65070070	Chamber Safety Thermostat
43	L65075000	Boiler Limit Switch
44	L65090180	Motor Reversing Device
45	L65095000	Damper System
46	L65110030	Solenoid Valve
47	L65110550	Motor Valve-Use L65110540
48	L65115070	Solenoid Valve
49	L65140140	Contactactor 20Amps
50	L65140160	Contactactor 20Amps
56	L65160110	Overload (KFC)
57	L65180710	Transformer 16Va
58	L65180720	Transformer
59	L65190080	Motor Capacitor
60	L65200080	Fuse .125 Amp (Same as #L65200086)
61	L65200210	Fuse 2 Amp Same as L65200190
63	L65210020	Fuse Block Section
64	L65324620	Water Level Probe
65	L65324640	Water Level Probe
66	L65324660	Water Level Probe
67	L65325000	Temperature Probe
68	L70020040	Motor Gasket
69	L70050040	Boiler Cap Gasket
70	L70060010	Coupling 30Mm
71	L70060020	Steam Outlet Gasket
72	L70060040	Coupling 50Mm
73	L70060060	Coupling 15Mm
74	L75400220	Fan

* NOT ILLUSTRATED

RECOMMENDED STOCK ITEMS

 **GARLAND**[®]