



GARLAND[®]

Sentry Series

Electric Range-Match Fryers

Models:

S18F • S18SF

PARTS LIST

Toll Free Phone, (US & Canada): (800) 427-6668

Toll Free Fax, (US & Canada): (800) 361-7745

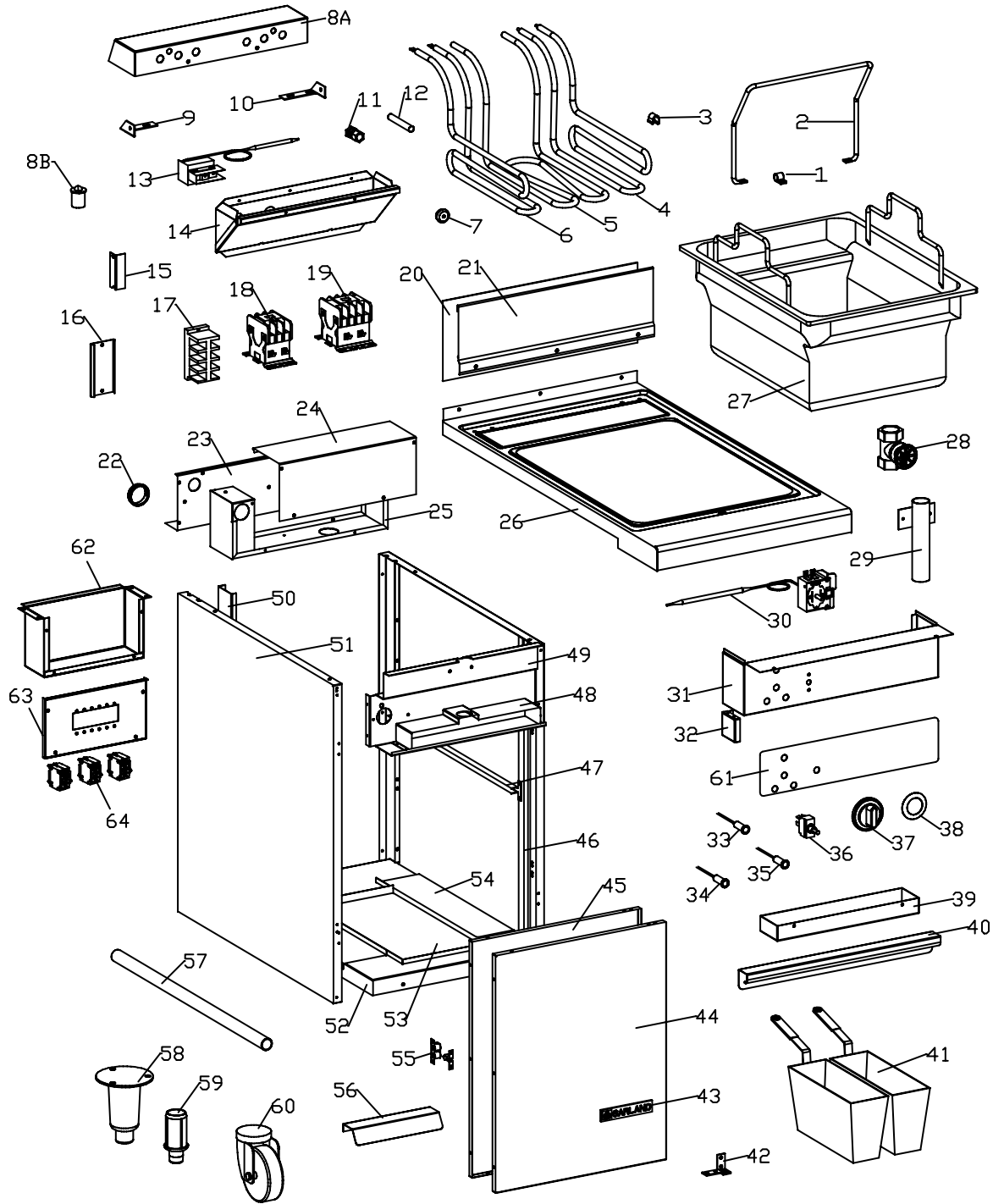
<http://www.garland-group.com>



Sentry Series
Electric Range-Match Fryers
Models:
S18F • S18SF

Contents:

Electric Range-Match Fryers Page 4
Revision History..... Page 7



Sk3675

GARLAND PART IDENTIFICATION

Electric Range Match Fryers

| ITEM | PART # | DESCRIPTION | MODELS | | DATE | |
|------|------------------|--|----------|-------|-------|------|
| | | | QUANTITY | | UP TO | FROM |
| | | | S18F | S18SF | | |
| 1 | GF141 | Handle Clamp | 2 | 2 | | |
| 2 | G02099-1 | Element Lifting Handle | 1 | 1 | | |
| 3 | 4519722 | Capillary Clip | 4 | 4 | | |
| 4 | G1551-1 | Element R/H (208V) | 1 | | | |
| | G1551-3 | Element R/H (240V) | 1 | | | |
| | G1551-11 | Element R/H (208V) | | 1 | | |
| | G1551-13 | Element R/H (240V) | | 1 | | |
| | G1551-9 | Element R/H (460V) (H.V. only) | 1 | | | |
| | G1551-15 | Element R/H (460V) (H.V. only) | | 1 | | |
| 5 | G1550-1 | Element Centre (208V) | 1 | | | |
| | G1550-2 | Element Centre (240V) | 1 | | | |
| | G0476-01 | Element Centre (208V) | | 1 | | |
| | G0476-02 | Element Centre (240V) | | 1 | | |
| | G1550-5 | Element Centre (460V) (H.V. only) | 1 | | | |
| | G0476-03 | Element Centre (460V) (H.V. only) | | 1 | | |
| 6 | G1551-2 | Element L/H (208V) | 1 | | | |
| | G1551-4 | Element L/H (240V) | 1 | | | |
| | G1551-12 | Element L/H (208V) | | 1 | | |
| | G1551-14 | Element L/H (240V) | | 1 | | |
| | G1551-10 | Element L/H (460V) (H.V. only) | 1 | | | |
| | G1551-16 | Element L/H (460V) (H.V. only) | | 1 | | |
| 7 | G1155-1 | Grommet | 2 | 2 | | |
| 8A | 1123513 | Element Panel Support | 1 | 1 | | |
| 8B | G02156-1 | Rotating Head Latch Return | 1 | 1 | | |
| 9 | 1333198 | Hinge Bracket Assy. L/H | 1 | 1 | | |
| 10 | 1333199 | Hinge Bracket Assy. R/H | 1 | 1 | | |
| 11 | G1156-1 | Straight Through Fitting | 6 | 6 | | |
| 12 | G01922-5 | Vinyl Sleeve - 7/16" x 3" | 6 | 6 | | |
| 13 | 2113600 | Safety Control (L.C.C.) | 1 | 1 | | |
| 14 | 1123597 | Rotating Head Assy. | 1 | 1 | | |
| 15 | 1123505 | Element Stop Brkt. | 1 | 1 | | |
| 16 | G01280-3-7 | Terminal Channel | 1 | 1 | | |
| 17 | G01268-1 | Terminal Block | 1 | 1 | | |
| 18 | G01293-3 | Contactactor (3-Pole) | 1 | 1 | | |
| 19 | G01293-4 | Contactactor (4-Pole) | 1 | 1 | | |
| 20 | G02310-1-9 | Back Splash | 1 | 1 | | |
| 21 | G02702-1-9 | Back Splash Front | 1 | 1 | | |
| 22 | G01487-3 | Heyco Bushing | 2 | 2 | | |
| | G01487-4 | Heyco Bushing | 2 | 2 | | |
| | G01487-5 | Heyco Bushing | 1 | 1 | | |
| 23 | G02289-1-8 | Contactactor Mounting Plate | 1 | 1 | | |
| 24 | G02303-1-7 | Contactactor Enclosure Cover | 1 | 1 | | |
| 25 | G02302-01-7 | Contactactor Enclosure Assy. | 1 | 1 | | |
| 26 | 3007698 | Main Top Assy. | 1 | 1 | | |
| 27 | G02692-01-8P | Fry Tank Assy. (With Drain) | 1 | 1 | | |
| | G02692-02-8P | Fry Tank Assy. (Less Drain) | 1 | 1 | | |
| 28 | G2941-1P | Gate Valve | 1 | 1 | | |
| 29 | 3010199 | Grease Tube Assy. | 1 | 1 | | |
| 30 | G02319-01 | Fryer Thermostat Assy. | 1 | 1 | | |
| 31 | 3007700 | Switch Panel | 1 | 1 | | |
| 32 | 3008100 | Switch Panel Support | 2 | 2 | | |
| 33 | G02315-1 | Pilot Light (Flashing - Red) | 1 | 1 | | |

* NOT ILLUSTRATED

RECOMMENDED STOCK PARTS

GARLAND PART IDENTIFICATION

Electric Range Match Fryers

| ITEM | PART # | DESCRIPTION | MODELS | | DATE | |
|------|-----------------|--|----------|-------|-----------|-----------|
| | | | QUANTITY | | UP TO | FROM |
| | | | S18F | S18SF | | |
| 34 | G01296-3 | Pilot Light (Green) | 1 | 1 | | |
| 35 | G01296-2 | Pilot Light (Amber) | 1 | 1 | | |
| 36 | G02320-1 | Momentary Toggle Switch | 1 | 1 | | |
| 37 | 2138700 | Dial | 1 | 1 | | |
| 38 | 3010301 | Dial Insert °C | 1 | 1 | | |
| | 3010300 | Dial Insert °F | | | | |
| 39 | 3002800 | Grease Drawer | 1 | 1 | | |
| 40 | 3008000 | Grease Drawer Handle | 1 | 1 | | |
| 41 | G02698-2 | Fryer Basket - Twin L/H | 1 | 1 | | |
| | G02698-1 | Fryer Basket - Twin R/H | 1 | 1 | | |
| | G02699-1 | Single Basket (Opt.) | 1 | 1 | | |
| 42 | G02309-01-9 | Door Hinge Assy. | 2 | 2 | | |
| 43 | 1902918 | Garland Nameplate | 1 | 1 | | |
| 44 | 2174800 | Door Panel | 1 | 1 | | |
| 45 | G02308-1-8 | Door Lining | 1 | 1 | | |
| 46 | G02285-1-81 | Front Frame Side R/H | 1 | 1 | | |
| | G02285-1-82 | Front Frame Side L/H | 1 | 1 | | |
| 47 | G02297-1-8 | Fry Pot Slide | 2 | 2 | | |
| 48 | 3007900 | Grease Pan Guide | 1 | 1 | | |
| 49 | 3007800 | Front Frame Top | 1 | 1 | | |
| 50 | G02287-1-81 | Rear Frame Side Support R/H | 1 | 1 | | |
| | G02287-1-82 | Rear Frame Side Support L/H | 1 | 1 | | |
| 51 | G02292-1-9 | Main Side | 2 | 2 | | |
| 52 | 2064099 | Main Bottom Assy. | 1 | 1 | | |
| 53 | G02300-1-8 | Grease Pan | 1 | 1 | | |
| 54 | G02299-1-81 | Grease Pan Guide R/H | 1 | 1 | | |
| | G02299-1-82 | Grease Pan Guide L/H | 1 | 1 | | |
| 55 | 2671600 | Catch and Striker Set | 1 | 1 | | |
| 56 | 2533900 | Door Handle | 1 | 1 | | |
| 57 | G02304-1-8 | Wireway | 1 | 1 | | |
| 58 | 1027600 | Leg Retainer - 6" (Std.) NSF | 4 | 4 | | |
| | 2093800 | Leg Retainer - 4" | 4 | 4 | | |
| 59 | 1150502 | Bullet Legs | 4 | 4 | | |
| 60 | 1027800 | Caster W/O Brake | 2 | 2 | Dec-10-04 | |
| | 4519432 | Swivel Caster | 2 | 2 | | Dec-10-04 |
| | 1027801 | Caster W/Brake | 2 | 2 | Dec-10-04 | |
| | 4519433 | Swivel Caster With Brake | 2 | 2 | | Dec-10-04 |
| 61 | 3009800 | Overlay | 1 | 1 | | |
| 62 | 3010800 | Circuit Breaker Box | 1 | 1 | | |
| 63 | 3010900 | Circuit Breaker Box Cover | 1 | 1 | | |
| 64 | 2687001 | Circuit Breaker 1 Pole 30 Amp (220/240V) Export | 3 | 2 | | |
| | 2687002 | Circuit Breaker 1 Pole 40 Amp (220/240V) Export | | 1 | | |
| | 2688801 | Circuit Breaker 2 Pole 30 Amp (208/240V) Std | 3 | 2 | | |
| | 2688802 | Circuit Breaker 2 Pole 40 Amp (208/240V) Std | | 1 | | |

* NOT ILLUSTRATED

RECOMMENDED STOCK PARTS

GARLAND PARTS IDENTIFICATION

Revision History

| REV. # | PAGE # | ITEM # | NOTE | DATE |
|--------|--------|--------|---|-----------|
| 2 | 5 | 1 | Part # Was G01558-31 | Jan 9/04 |
| 3 | 6 | 60 | New casters introduced – Mounting method and overall height would be the same as the old casters. The only difference is with the diameter of the new wheel. The old casters wheel diameter is (4”) new casters is (3.5”) in diameter | Jan 13/05 |
| 4 | 5 | 3 | New Part Number – Was G01558-22 | Apr 04/05 |
| 5 | 6 | 60 | Description Changed On Part #s 1027800 & 1027801 NLA Deleted | Feb 23/06 |
| 6 | 5 | 26 | Part Number Changed – Was 3007699 | Mar 19/07 |

 **GARLAND**[®]