



Item #: _____

Models: 36ER39, 36ES39 & 36ET39

Product Name: 36E Series 6 Boil Section Top Heavy Duty Ranges



Model 36ER39

Specifications:

Heavy-duty electric range with full size oven, Model 36ER-39, boil plate top. 36" (914mm) wide x 36" (914mm) high x 36" (914mm) deep; 36" (914mm) x 24" (610mm) top consists of one boiling plate with six heat zones. Each controlled by a three-heat switch. The 460V version contains three heat zones only. Standard oven is controlled by a heavy-duty electromechanical thermostat. Oven interior is 13.5" (343mm) high x 26.25" (667mm) wide x 29" (533mm) deep with removable four-position chrome plated oven rack guides and one oven rack, front and rear stainless steel grease troughs. Available with convection oven base, 21.75" (552mm) deep. Standard with stainless steel front and black powder coat epoxy sides. All controls are mounted at a convenient level on the switch panel. Electric circuit protection is provided for by circuit breakers or fuses located outside of the heat zone behind the lower kick panel. Ranges are available with casters or for dais mount. Also available with storage base, Model 36ES39, in lieu of oven section or as modular top version, Model 36ET39.

Standard Features:

- Stainless steel front with black powder coat epoxy sides
- Stainless steel front rail
- Chrome plated, 4 position removable rack guides w/oven rack
- Electro-mechanical heavy-duty oven thermostat
- Boiling plate top with six heat zones each controlled by a three-heat switch
- 3" (76mm) high stainless steel vent raiser
- Heat resistant, cool to touch oven door handle
- 6" (152mm) adjustable chrome plated legs (NSF)
- One Year limited parts & labor (USA & Canada)

Optional Features:

- Stainless steel sides
- Stainless steel main back (R&S models)
- Extra oven rack
- Swivel casters complete with front brakes (4)
- 6" (152mm) adjustable stainless steel legs.
- Convection oven base (add suffix C to model number, e.g. 36ERC39 (not available in 460V)
- High voltage 460V (Note: high voltage models have three (3) switch controls)
- Marine equipment - hand rails, oven door latch, drip tray stop and deck fasteners

NOTE: Ranges supplied with casters must be installed with an approved restraining device.



GARLAND® ELECTRIC 36E Series Heavy Duty Ranges 36ER39, 36ES39 & 36ET39

Garland Commercial Industries, Inc.
185 East South Street
Freeland, Pennsylvania 18224
Phone: (570) 636-1000
Fax: (570) 636-3903

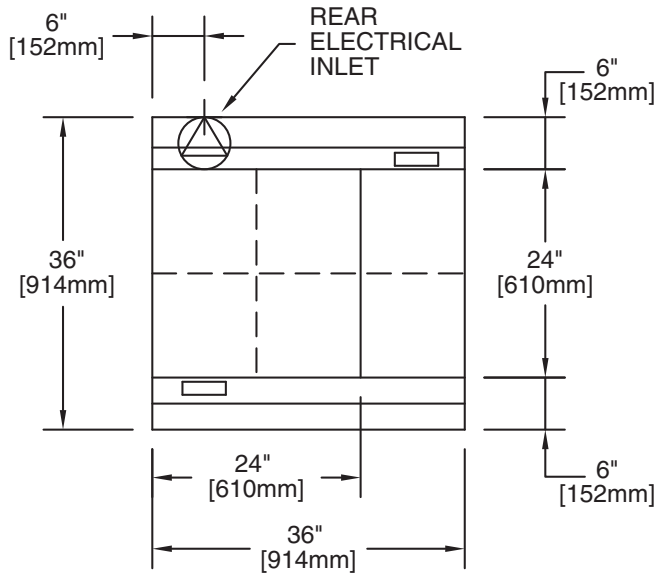
Garland Commercial Ranges Ltd
1177 Kamato Road, Mississauga, Ontario
L4W 1X4 CANADA
Phone: 905-624-0260
Fax: 905-624-5669

Enodis UK LTD
Swallowfield Way, Hayes, Middlesex
UB3 1DQ ENGLAND
Telephone: 081-561-0433
Fax: 081-848-0041



Item #: _____
 Models: 36ER39, 36ES39 & 36ET39
 Product Name: 36E Series 6 Boil Section Top
 Heavy Duty Ranges

MODEL	TOTAL KW	3-PHASE KW PER PHASE ALL VOLTAGES			NOMINAL AMPERES PER LINE											
					SINGLE PHASE			THREE PHASE								
								208V			240V			460V		
X-Y	Y-Z	X-Z	208V	240V	460V	X	Y	Z	X	Y	Z	X	Y	Z		
36ER39	18.5	6.5	4	8	89	79	40	61	45	50	54	39	45	28	20	23
36ES/ET39	12	4	4	4	58	51	26	34	34	34	30	30	30	15	15	15
36ERC39	17.4	5.4	4	8	83.7	72.5	NA	56	40	58	49	34	44	NA	NA	NA



CLEARANCES			
ENTRY		TO COMBUSTIBLE WALL	
CRATED	UNCRATED	SIDES	REAR
41-1/4" (1048mm)	36-1/4" (921mm)	3" (76mm)	1-1/2" (38mm)

NOTE: For ranges with convection oven(s), (models with suffix 'RC'), air circulation is required for proper operation of fan motors. These models must not be dais mounted or installed with out legs.

Garland products are not approved or authorized for home or residential use, but are intended for commercial applications only. Garland will not provide service, warranty, maintenance or support of any kind other than in commercial applications.

