


Model CA1 E
Specification:

Model CA1 E, single compartment, atmospheric, pressureless, natural convection steamer. Electrically operated, self-contained steam generator, (8.0kW), with standby thermostat.

Controls are mounted on a removable, porcelain enameled panel and include an illuminated power switch, cook switch with pilot light, and a 0-60-minute timer.

Cabinet exterior and compartment interior are polished stainless steel. 4" (102mm) sanitary, black, high-impact plastic legs are removable.

Operation is automatic. Power switch activation supplies water to the steam generator and heats to standby temperature. An electric, low-water cut-off protects the generator element from dry operation. The cook switch activates the timer and pilot light. Setting a cook time activates steam generation. When the timer has expired, a buzzer sounds and the steam generator returns to standby. Switching the power off at any time automatically initiates a generator blowdown sequence.

Standard Features:

- Mechanical, 60-minute timer automatically shuts off steam upon timing out
- Automatic fill of 8kW steam generator, (boiler)
- Two water supply connections; one each for condenser and steam generator
- Automatic draining when power is turned off
- Standby thermostat holds steam generator at just below boiling temperature for fast restart/steam production
- Fully insulated, "slammable" door, (hinged on right side), with replaceable, one-piece silicon gasket and positive seal latch with sure-grip handle.
- Drip trough
- Easy-access descaling port on the outside rear of the steamer
- 4" (102mm), black, high-impact plastic legs
- Removable slide racks

Optional Features:

- Cafeteria pans, solid or perforated; 1", 2-1/2", and 4" depths available
- Stacking kit
- Stainless steel stand w/bottom shelf, (model PPSS)



Garland Commercial Industries, Inc.
 185 East South Street
 Freeland, Pennsylvania 18224
 Phone: (570) 636-1000
 Fax: (570) 636-3903

Garland Commercial Ranges Ltd
 1177 Kamato Road, Mississauga, Ontario
 L4W 1X4 CANADA
 Phone: 905-624-0260
 Fax: 905-624-5669

Enodis UK LTD
 Swallowfield Way, Hayes, Middlesex
 UB3 1DQ ENGLAND
 Telephone: 020-8561-0433
 Fax: 020-8848-0041



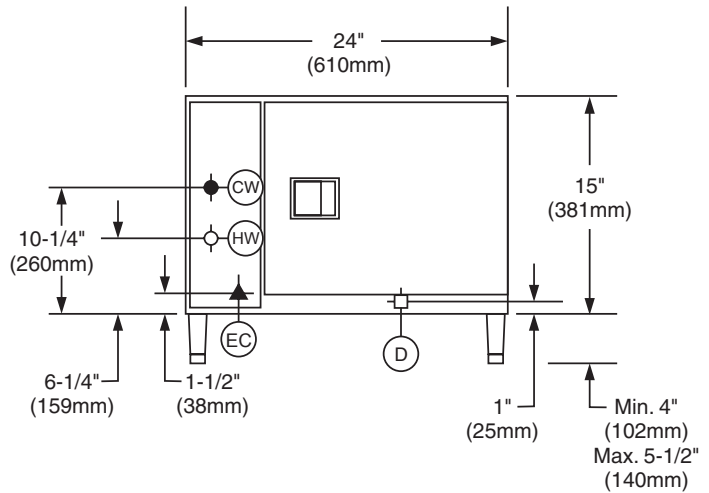
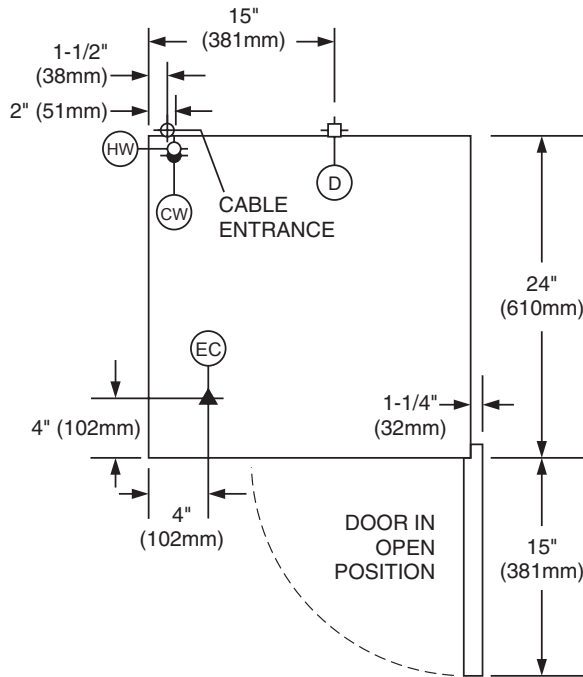
Item #: _____

Model: CA1 E

Product Name: Pronto Plus Steamer

Service Connections			
Electrical connection; 3-wire, nominal line, direct.	Cold water only; 1/4" NPT to condensate	Treated hot or quality cold water; 1/4" NPT to generator*	Drain; 1" NPT, open connection to hub drain

*NOTE: All water boiler systems are subject to contamination and failure due to mineral content found in most water supplies. To minimize service problems and reduce operating costs, supply water to generator should be treated, (softened), if over 75ppm, (75mg per litre), of hardness. Normally, only the hot water supply is treated.



Electrical Loading Chart				Minimum Service Clearances						
Total kW Load	Nominal Amperes Per Line				Left Side		Right Side		Rear	
	208V 60Hz		240V 60Hz		Inches	mm	Inches	mm	Inches	mm
8.0	1Ø	3Ø	1Ø	3Ø	12	305	0	0	4	102
	39.0	23.0	34.0	20.0						

NOTE: Electrical loading data for high voltage/export voltage applications is available upon request.

Water Supply Piping Recommendation	Drain Configuration
<p>NOTE: Water pressure; min. 25PSI/172kPa, max. 60PSI/413kPa</p>	<p>Drain line termination must vent to atmosphere. If drain line is to have 3 or more bends, increase pipe size.</p> <p>Do not connect solid</p> <p>Recommended Zurn or equivalent ZN-400-64 funnel floor drain</p>
<p>Sanitary Counter Top Seal</p> <p>See installation instructions for complete details</p>	