



EFW500 FONDANT WARMER

PARTS LIST

Toll Free Phone, (US & Canada): (800) 427-6668

Toll Free Fax, (US & Canada): (800) 361-7745

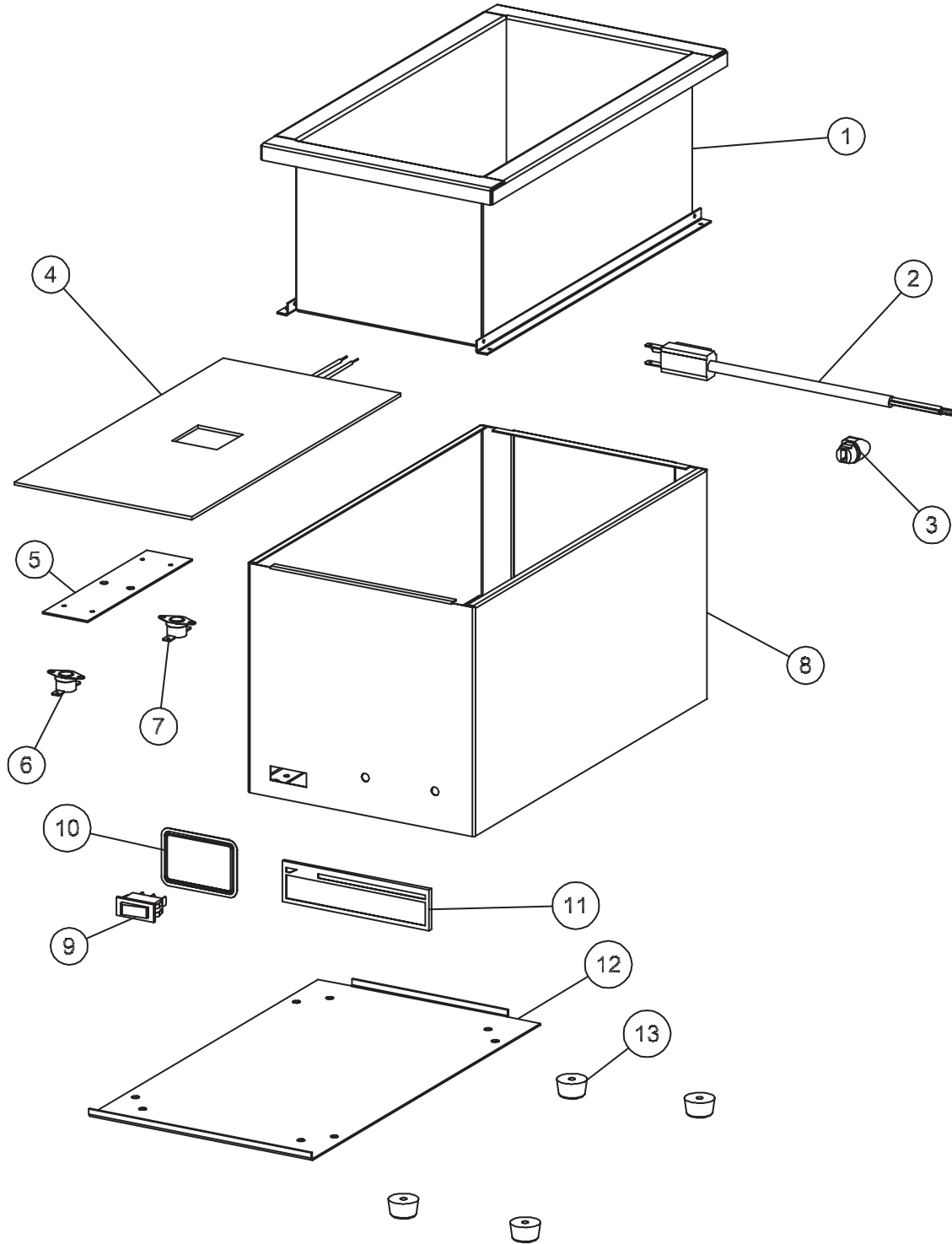
<http://www.garland-group.com>



EFW500 FONDANT WARMER

Contents:

EFW500 Fondant Warmer Page 4



GARLAND PARTS IDENTIFICATION
EFW500 Fondant Warmer

ITEM	PART NUMBER	DESCRIPTION	QUANTITY
			120 VOLT
1	3095398	Food Warmer Tank Assembly	1
2	3103200	Power Cord, 18-3 SJT, 5-15P	1
3	3100300	90 Degree Strain Relief	1
4	3084901	Silicon Rubber Heater, 120V, 500W	1
5	3099400	Thermostat Bracket	1
6	3103102	Thermostat 215/220 Degree F (Operating Thermostat)	1
7	3103103	Thermostat 235/250 Degree F (High Limit)	1
8	3095598	Case Assembly	1
9	2146800	Illuminated Power Switch	1
10	4512759	Overlay, On/Off	1
11	3077101	Name Plate, Small	1
12	3096001	Bottom	1
13	2487100	Unit Foot	4
*	1472206	Insulation, Bottom	1
Reference Diagrams			
	3099202	Wiring Diagram	*

* NOT ILLUSTRATED

RECOMMENDED STOCK PARTS

NOTES

NOTES

 **GARLAND**[®]