



PHD Plus
Product Holding Drawer

PARTS LIST

Toll Free Phone, (US & Canada): (800) 427-6668

Toll Free Fax, (US & Canada): (800) 361-7745

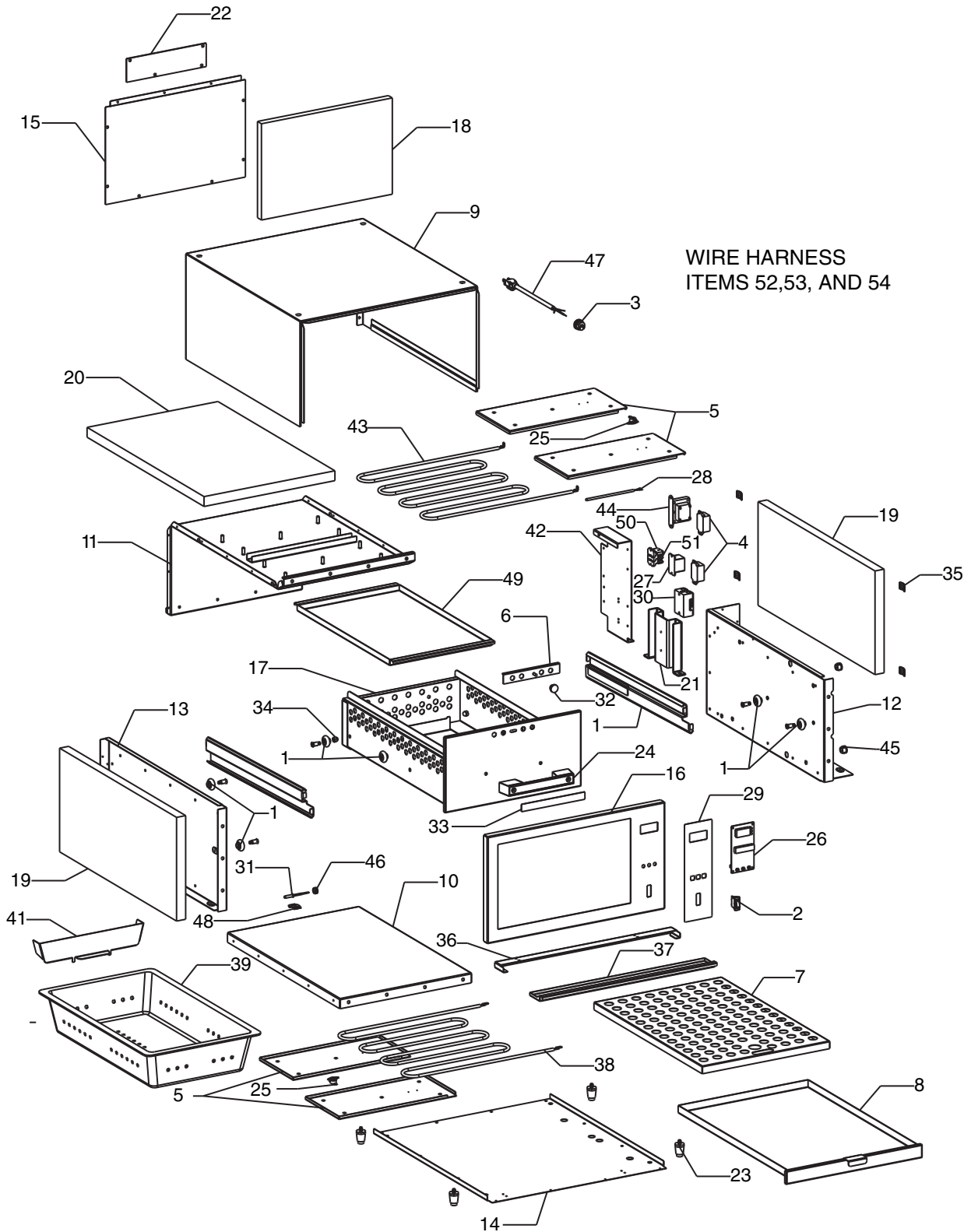
<http://www.garland-group.com>



PHD Plus ***Product Holding Drawer***

Contents:

Model PHD Electric Product Holding Drawer Page 4



sk3672
REV.0

GARLAND PARTS IDENTIFICATION

Model PHD

Electric Product Holding Drawer

ITEM	PART #	DESCRIPTION	QUANTITY
1	2681499	LT & RT Drawer Slides c/w 8 S/S Rollers & Screws	1
2	2146800	Illuminated Power Switch	1
3	2490500	Straight Through Relief Bushing (120V Option)	1
4	2573000	Terminal Block -3 Circuit	2
5	2625700	Heater Cover	4
6	2625899	Vent Plate Assembly	1
7	2697400	Water Pan Cover	1
8	2697399	Water Pan Assembly	1
9	2626199	Top Cover Assembly	1
10	2626399	Liner Bottom Assembly	1
11	3007199	Liner Top Assembly	1
12	2691099	Liner Right	1
13	2691199	Liner Left	1
14	2626900	Base Pan	1
15	2627000	Back Panel	1
16	3008499	Front Frame Assembly	1
17	2697099	Drawer Assembly	1
18	2627600	Insulation, Back	1
19	2627601	Insulation, Side	2
20	2627602	Insulation, Top	1
21	2630800	Heat Sink	1
22	2641900	Stacking Support Bracket (Option)	4
23	2635400	Foot, Plastic	4
24	2635500	Handle	1
25	2638600	Limit Thermostat	2
26	3008800	P.I.D. Control	1
27	3008300	Electromechanical Relay	1
28	3008900	Sensor, 3/16" S/S	1
29	2638502	Control Overlay	1
30	2639100	Solid State Relay	1
31	2639300	Sensor, Bullet Type	1
32	2639500	Knob	1
33	3009700	Handle Insert	1
34	2640100	Acorn Nut -1/4-20 Locking Type	4
35	2640200	Retaining Clip	4
36	2640400	Condensate Tray Slide	1
37	2640500	Condensate Tray	1
38	2631000	Element 550W, 120V	1
	2631001	Element 550W, 230V	1
	2631002	Element 550W, 100V	1
39	078162-1	Perforated Pan 20"x 12" x 2-1/2" (Standard)	1
	078162-2	Perforated Pan 20"x 12" x 4" (Optional)	
41	2652300	Perforated Pan Divider (Optional)	
42	3007000	Component Support	1
43	2630900	Element 350W, 120V	1
	2630901	Element 350W, 230V	1
	2630902	Element 350W, 100V	1

* NOT ILLUSTRATED

RECOMMENDED STOCK PARTS

GARLAND PARTS IDENTIFICATION

Model PHD

Electric Product Holding Drawer

ITEM	PART #	DESCRIPTION	QUANTITY
44	3009600	Transformer 120/12V	1
	3009601	Transformer 240/12V	1
45	1028806	Heyco Bushing 9/16" O.D X 3/8" I.D	1
46	G220	Rubber Grommet 1/4"	1
47	G2840-1	Cord & Plug Set 100V (120V Option)	1
48	G7236-1-6	Tube Clamp	1
49	3004300	Drip Tray	1
50	50069	Sectional Terminal Block # 5125 (230V Option)	3
51	50070	Sectional Terminal End # 5130 (230V Option)	1
52*	3009599	Wire Harness - Line Voltage	1
53*	3009598	Wire Harness - Temperature Limits	1
54*	3009597	Wire Harness - Control - Low Voltage	1

* NOT ILLUSTRATED

RECOMMENDED STOCK PARTS

NOTES

 **GARLAND**[®]