



GARLAND INDUCTION UNIT MODELS

GIU-3.5Kw-208 & 230 Volts-60Hz-MANUAL/DIGITAL CONTROLS

GIU-3.5Kw-240 Volts-60Hz-MANUAL CONTROLS

GIW-3.5Kw-208 Volts-60Hz-WOK/WOK-BUILT IN

GIU-3.5Kw-208 Volts-60Hz-BUILT IN/MANUAL CONTROLS

GIU-3.5Kw-208 Volts-60Hz-DUAL/MANUAL CONTROLS

GIU3.5Kw-400 Volts-50Hz-DUAL/MANUAL CONTROLS

PARTS LIST

Toll Free Phone, (US & Canada): (800) 427-6668

Toll Free Fax, (US & Canada): (800) 361-7745

<http://www.garland-group.com>



GARLAND INDUCTION UNIT MODELS

GIU-3.5Kw-208 & 230 Volts-60Hz-MANUAL/DIGITAL CONTROLS

GIU-3.5Kw-240 Volts-60Hz-MANUAL CONTROLS

GIW-3.5Kw-208 Volts-60Hz-WOK/WOK-BUILT IN

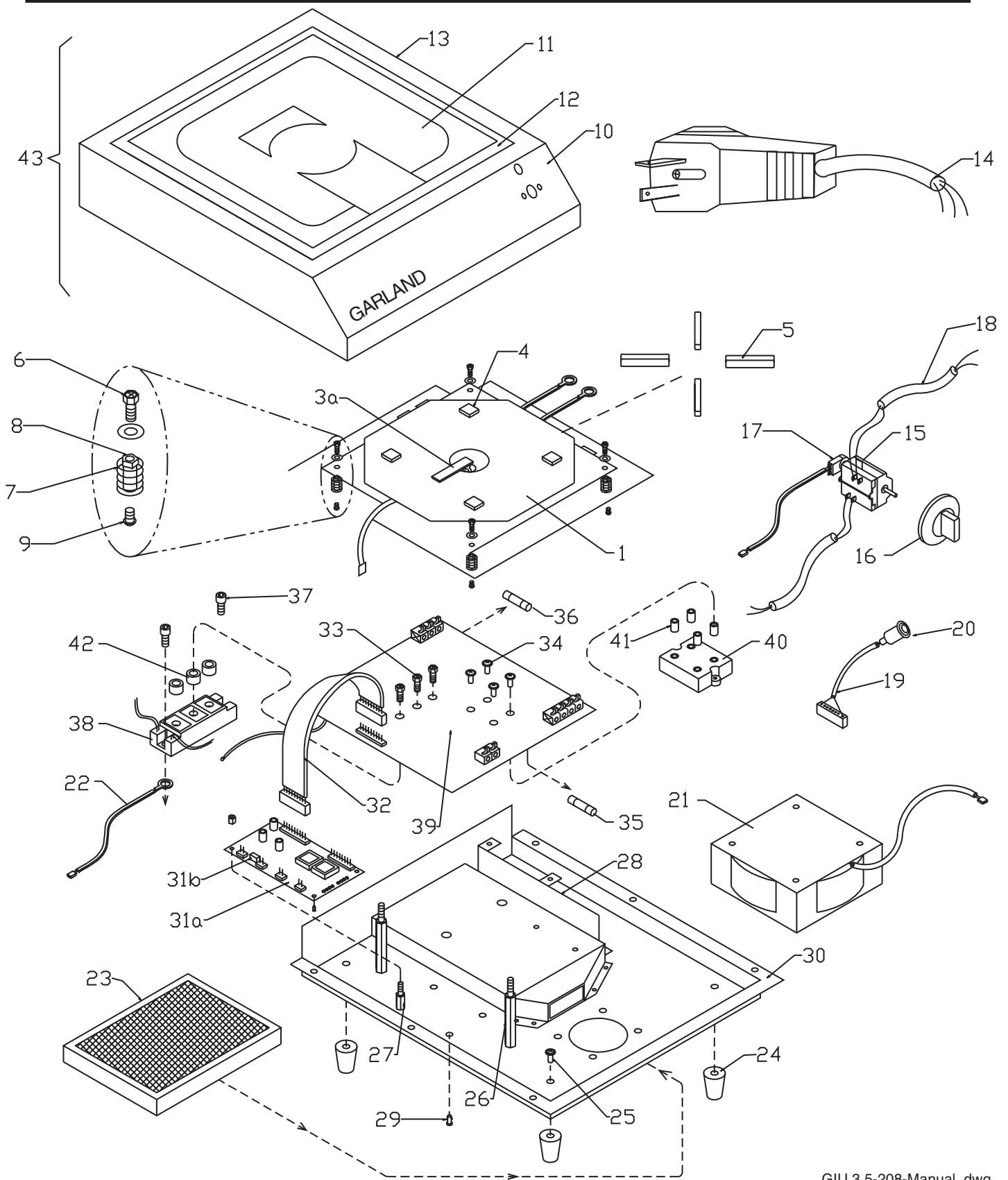
GIU-3.5Kw-208 Volts-60Hz-BUILT IN/MANUAL CONTROLS

GIU-3.5Kw-208 Volts-60Hz-DUAL/MANUAL CONTROLS

GIU3.5Kw-400 Volts-50Hz-DUAL/MANUAL CONTROLS

Contents:

GMIU 3.5Kw/208Volts/60Hz Manual Controls.....	Page 4
GI-Wok 3,5 kW /208 Volts / 60Hz / 1Phase Manual Control.....	Page 6
GI-Wok 3,5BI kW /208 Volts / 60Hz / 1Phase Up to serial # IN16.0044.1001	Page 8
GI-Wok 3,5BI kW /208 Volts / 60Hz / 1Phase From Serial # IN16.0045.1001	Page 12
GMIU 3.5Kw/230Volts/60Hz Manual Controls.....	Page 16
GMIU 3.5Kw/240Volts/60Hz Manual Controls.....	Page 18
Built In GMIU 3.5Kw/208Volts/60Hz Manual Controls Up to serial # IN04.0026.0102.....	Page 20
Built In GMIU 3.5Kw/208Volts/60Hz Manual Controls From Serial # IN04.0027.0102	Page 24
GMIU 3.5Kw/208Volts/60Hz Digital Controls.....	Page 28
GMIU 3.5Kw Dual / 208Volts / 60Hz.....	Page 30
GIU 3.5kW Dual BI / 208V / 60Hz 3Phase From Serial # IN10.0024.1101	Page 32
GIU Dual 3.5kW / 400V / 50Hz.....	Page 36
Recommended Stock List.....	Page 38
Digital Photos	Page 39
Revision History.....	Page 41



GARLAND PARTS IDENTIFICATION

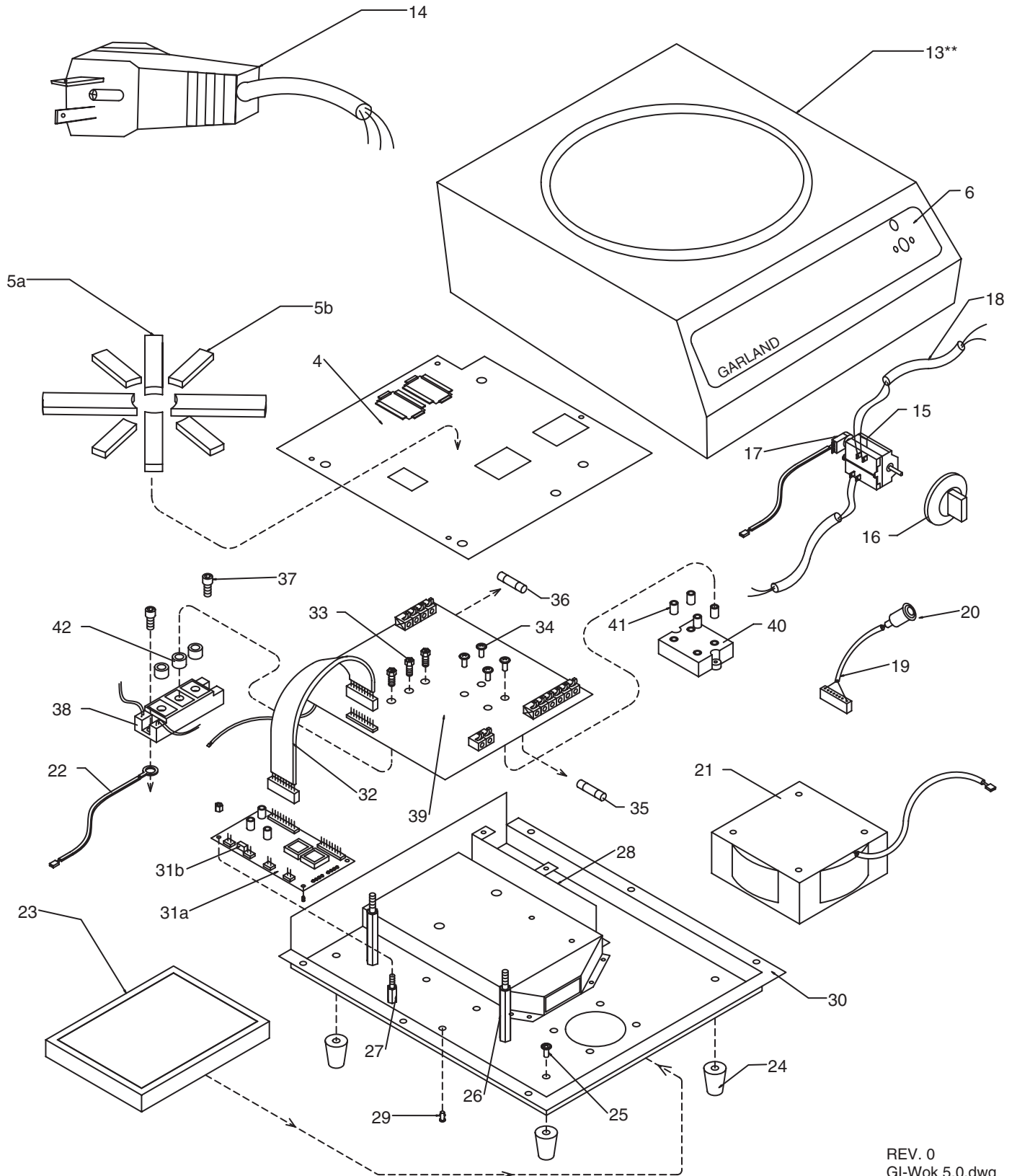
GIU-3.5Kw-208 Volts-60Hz

Manual Controls

ITEM	PART #	DESCRIPTION	QUANTITY
1	93003040	Induction Coil 208/3.5 With PTC Sensor	1
3a	94040010	PTC Sensor With Insulation And Plug Recommended to Replace along with item 3b	1
3b*	70100005	Superwool Insulation - 1000C, 4mm	
4	69000011	Spacer For Coil	1
5	30000010	Ferrit 110 mm	4
6	60595004	Screws M5 x 12	4
7	73000002	Coil Feather	4
8	65840001	Coil Pin	4
9	60528501	Plastic Screws For Coil M5x8	4
10	3012601	Induction Overlay	1
11	77322001	Ceran Glass 322 mm x 322 mm	1
12	70000002	Silicone Straps 305 x 6 x 4 mm	4
13	72185041	Case SH/BA	1
14	38614031	Mains Cable With Plug NEMA 6-20	1
15	35100000	Mains Power Switch - 2 Pins (With Out Poti)	1
16	39700004	Plastic Knob	1
17	94010000	Main Power With W/Poti (Option) Poti Not Available By Itself	1
18	94900008	Wire For Mains Switch	1
19	94900002	Wire For LED 24V / Green	1
20	35624001	Front Indicator Lamp LED/24V/Green	1
21	39223001	Radial Fan 230 Vac	1
22	94040001	NTC Heatsink Temperature Sensor 20K	1
23	71000003	Grease Filter SH/MU	1
24	72264010	Plastic Feet SH/MU	4
25	60595004	Screw M5 x 12	4
26	65070005	Pin M4 x 70 mm	2
27	64070001	Pin M4 x 8 mm	1
28	72116012	Side Panel Alu	1
29	64070007	Logic PCB Spacer	3
30	72185036	Bottom Panel	1
31a	98401800	Logic PCB W/Dip Switch Adjustment Dip Switch Position - (Switch # 7 ON, All Other Switches Off)	1
31b	32050200	Jumper Not Included On New Logic Board	1
32	94900001	Logic - Power PCB Connector 10 Pins	1
33	60595004	Screws M5 x 12	3
34	60595003	Rectifier Screws Power PCB M4 x 16	4
35	34110019	Fuse For Fan T1A 250V 5X20	1
36a	34120209	Fuse T20A 250V 6.3X32 Applicable For Power Board With One Fuse Only	1
36b	34120109	Fuse T10A 250V Applicable For New Power Board only (2 Fuse Holders)	2
37	60000301	IGBT Screws - Heatsink	2
38	47301000	IGBT C5 Transistor Module	1
39	91031050	Power Board IN208/3.5 Sh-98	1
40	42403010	Rectifier 1 Ph	1
41	65810001	Spacer For Rectifier 8mm x 8mm	4
42	65810002	Spacer For IGBT 10 x 2 mm	3
43	98300002	Assembly Kit - Upper Case Included Items: 11, 12, 13	1

* NOT ILLUSTRATED

RECOMMENDED STOCK PARTS



REV. 0
GI-Wok 5.0.dwg

GARLAND PARTS IDENTIFICATION
GI-Wok 3.5Kw / 208 Volts / 60Hz / 1 Phase

Wok Manual Controls

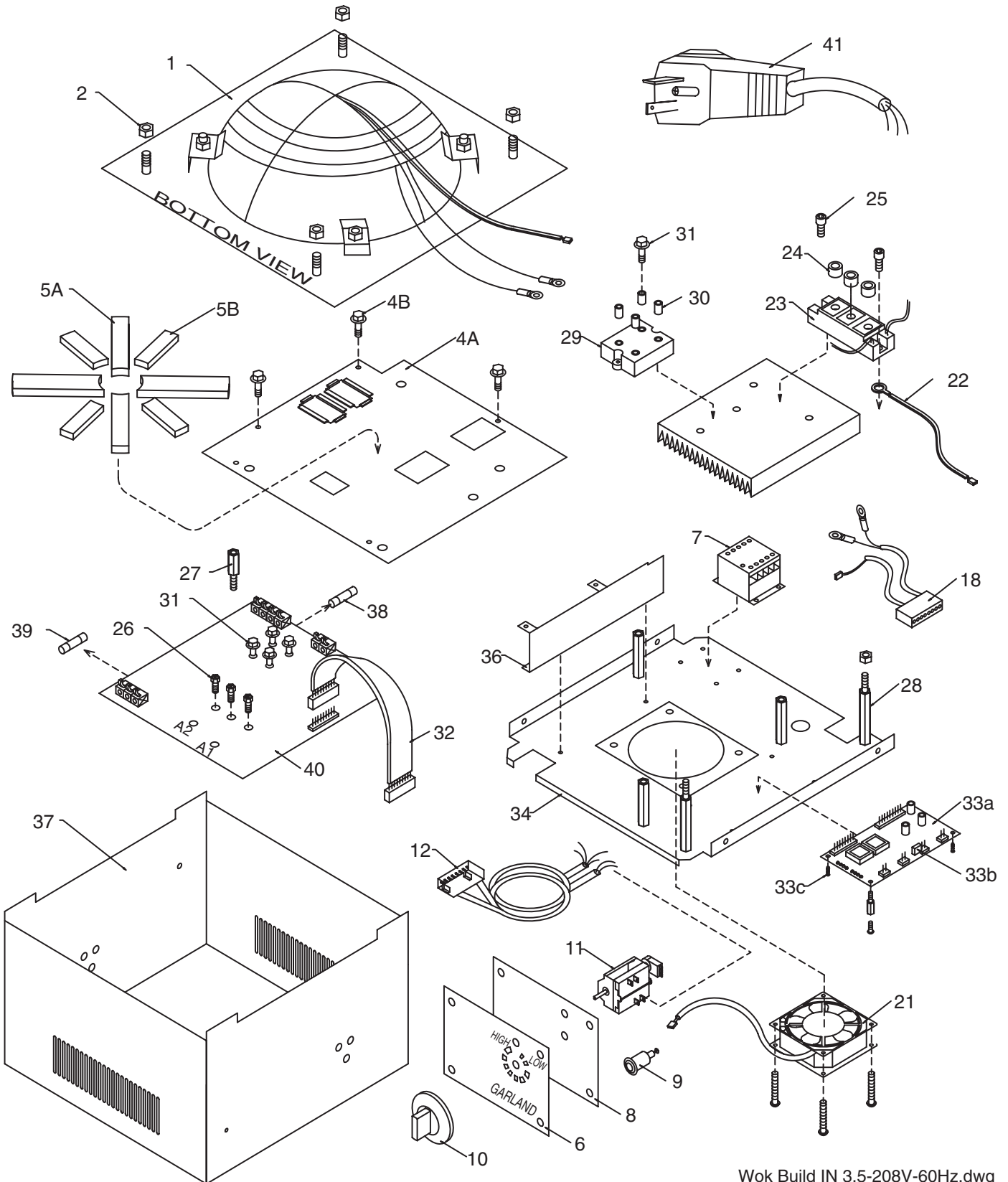
ITEM	PART #	DESCRIPTION	QUANTITY
4	95115028	Metal Cover Sheet With Ferrites	1
5A	30000010	Ferritt 110 mm	4
5B	30000070	Ferrit 70 mm	4
6	3012601	Induction Overlay	1
13**	98300006	Case SH/WO With Coil #203,02, Main Switch Poti and LED (Complete Assembly)	1
14	38614031	Mains Cable With Plug NEMA 6-20	1
15	35100000	Mains Power Switch - 2 Pins (Without Poti)	1
16	39400004	Plastic Knob	1
17	94010000	Main Power Switch W/Poti (Option) Poti Not Available By Itself	1
18	94900008	Wire For Mains Switch	1
19	94900002	Wire For LED 24V/Green	1
20	35624001	Front Indicator Lamp LED/24/24V/Green	1
21	39223001	Radial Fan 230 Vac	1
22	94040001	NTC Heatsink Temperature Sensor 20k	1
23	71000003	Grease Filter SH/MU	1
24	72264010	Plastic Feet SH/MU	4
25	60595004	Screws M5 x 12	4
26	64070005	Pin M4 x 70mm	2
27	64070001	Pin M4 x 8 mm	1
28	72116012	Side Panel Alu	1
29	64070007	Logic PCB Spacer	3
30	72185036	Bottom Panel	1
31a	98401800	Logic PCB W/Dip Switch Adjustment Dip Switch Position - Switch # 6 & 7 On, all Other Switches Off)	1
31b	32090200	Jumper Not Included On New Logic Board	1
32	94900001	Logic - Power PCB connector 10 Pins	1
33	60595004	Screws M5 x 12	3
34	60495003	Rectifier Screws Power PCB M4 x 16	4
35	34110019	Fuse For Pan T1A 250 V 5X20	1
36a	34120209	Fuse T20A 250V 6.3X32 Applicable For Power Board With One Fuse Holder	1
36b	34120109	Fuse T10A 250V Applicable for New Power Board (2 Fuse Holders)	2
37	60000301	IGBT Screws - Heatsink	2
38	47301000	IGBT C5 Transistor Module	1
39	91031050	Power Board 1N208/3.5 Sh-98	1
40	42403010	Rectifier 1 Ph	1
41	65810001	Spacer For Rectifier 8 x 8 mm	4
42	65810002	Spacier For IGBT 1 x 2 mm	3

** PART AVAILABLE AS ASSEMBLY ONLY

* NOT ILLUSTRATED

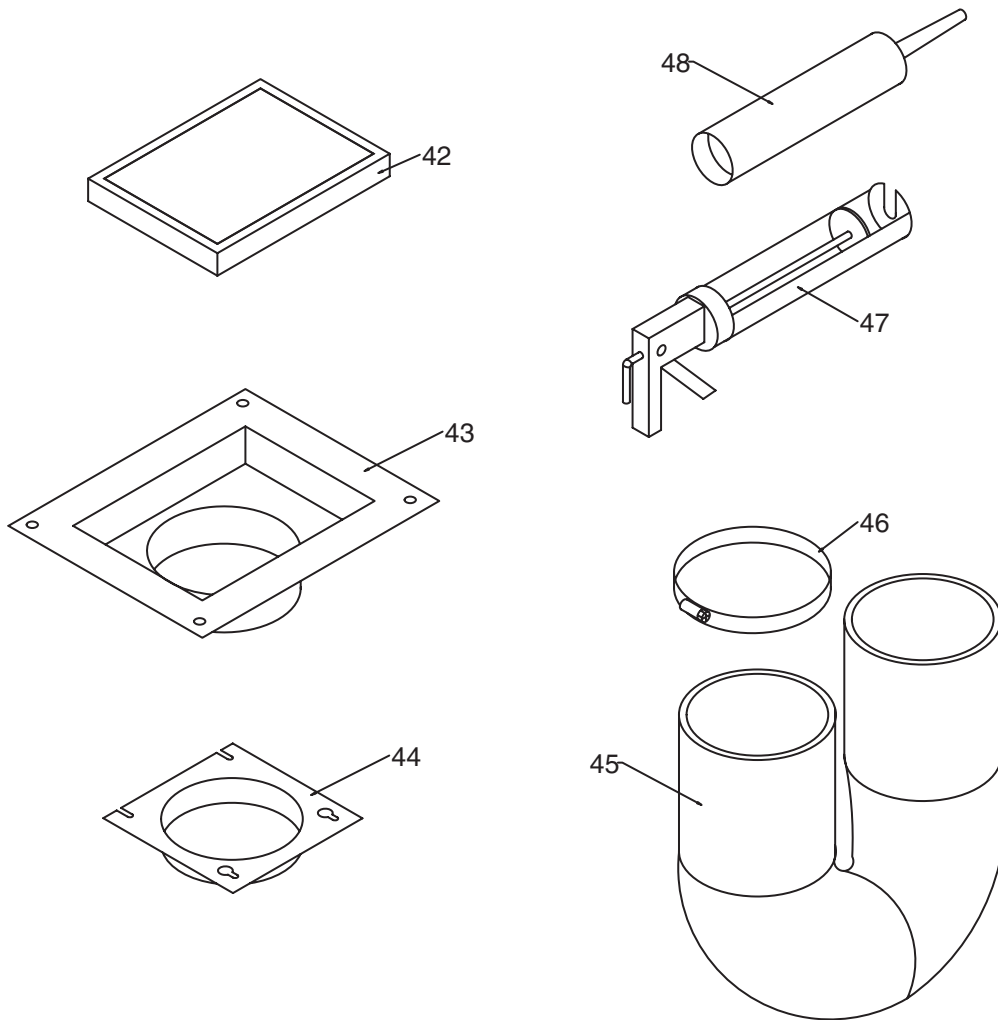
RECOMMENDED STOCK PARTS

Up to Serial #IN16.0044.1001



Wok Build IN 3.5-208V-60Hz.dwg

BUILT IN UNITS MUST HAVE ACCESORIES INSTALLED



GARLAND PARTS IDENTIFICATION

GIW-3.5Kw-208 Volts/60Hz/1 Phase

Built In Wok Manual Controls

(Up To Serial # IN16.0044.1001)

ITEM	PART #	DESCRIPTION	QUANTITY
1**	98300024	Coil 203.02 With Metal Profil	1
2	60016103	Nut M5	4
4a	95115028	Metal Cover Sheet With Ferrites	1
4b	60595002	Screws M4X8	3
5a	30000010	Ferrit 110mm	4
5b	30000070	Ferrit 70mm	4
6	3014500	Garland Label	1
7	35500004	Contactora K 1-109D10	1
8	72244010	Front Panel SH/IN	1
9	35624001	Front Indicator Lamp LED/24V/Green	1
10^	39400004	Plastic Knob	1
11	94010000	Main Power Switch W/Poti (Option)	1
	35100000	Mains Power Switch - 2 Pins (Without Poti)	1
12	94030002	Assembly Control Panel Kit Included Items: 6, 8, 9, 10, 11, & 12	1
18	32150800	WAGO Connector 8 Pol	1
21^	39223022	Axial Fan 230V	1
22	94040001	NTC Heatsink Temperature Sensor 20k	1
23	47301000	IGBT C5 Transistor Module	1
24	65810002	Spacer For IGBT 10 x 2 mm	3
25	60000301	IGBT Screws Heatsink	2
26	60595004	Screws M5 x 12	3
27	64070001	Pin M4 X 8mm	
28	64070005	Pin M4 x 70mm	3
29	42403010	Rectifier 1 Phase	1
30	65810001	Spacer For Rectifier 8 x 8 mm	4
31	60595003	Rectifier Screws Power PCB M4 x 16	4
32	94900001	Logic - Power PCB Connector 10 Pins	1
33a	98401800	Logic PCB W/Dip Switch Adjustment Dip Switch Position - (Switch # 6 & 7 ON, All Other Switches OFF)	1
33b	32050200	Jumper Not Included on New Logic Board	1
33c	64070007	Logic PCB Spacer	3
34	72250191	Bottom Panel	1
36	72116012	Side Panel Alu	1
37	72248062	Side Cover Sheet	1
38	34110019	Fuse For Fan T1A 250V 5X20	1
39a	34120209	Fuse T20A 250V 6.3x32 Applicable For Power Board with One Fuse Holder Only	1
39b	34120109	Fuse T10A 250V Applicable For New Power Board Only (2 Fuse Holders)	2
40	91031050	Power Board 1N208/3.5 Sh-98	1
41	38614031	Mains Cable With Plug NEMA 6-20	1
42	71000003	Grease Filter SH/MU	1
43	72183091	Grease Filter Holder	1
44	72263020	Air Conductor Holder	1
45	76000001	Air Conductor ALU	1

** PART AVAILABLE AS ASSEMBLY ONLY

* NOT ILLUSTRATED

^ PHOTO AT END

RECOMMENDED STOCK PARTS

GARLAND PARTS IDENTIFICATION

GIW-3.5Kw-208 Volts/60Hz/1 Phase

Built In Wok Manual Controls

(Up To Serial # IN16.0044.1001)

ITEM	PART #	DESCRIPTION	QUANTITY
46	76000002	Connector Sola	2
47	76000003	Pistol For Silicone Glue	1
48	70000015	Silicone Glue	1

** PART AVAILABLE AS ASSEMBLY ONLY

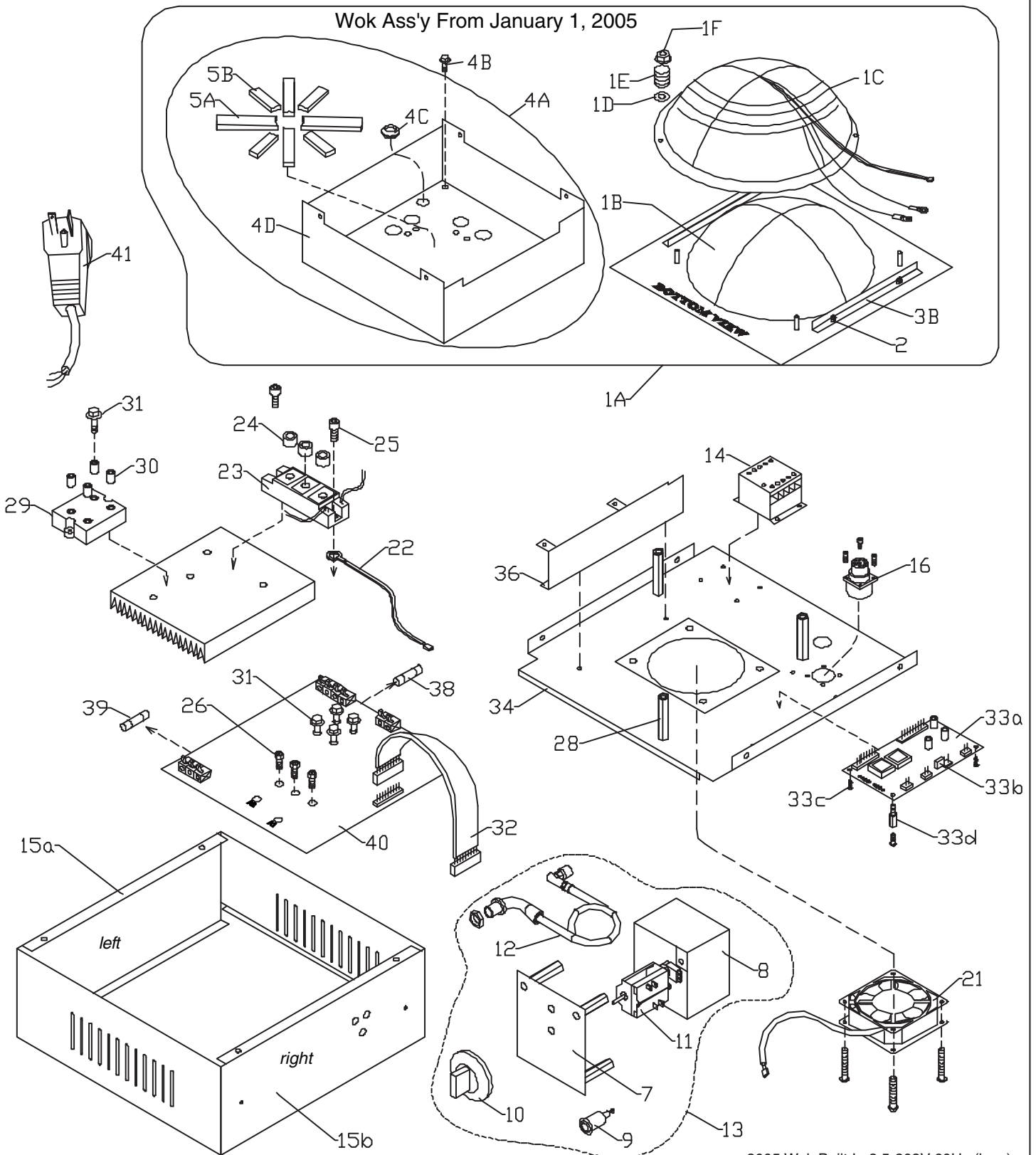
* NOT ILLUSTRATED

^ PHOTO AT END

RECOMMENDED STOCK PARTS

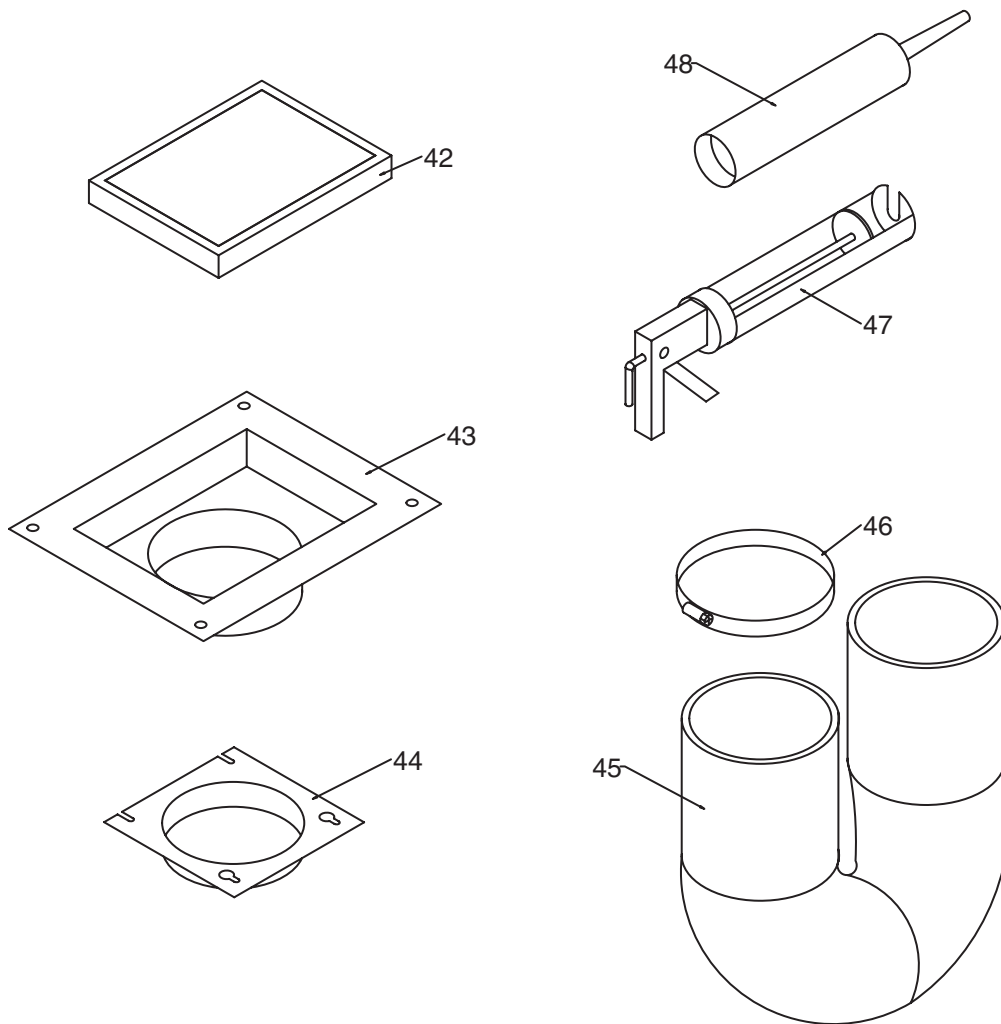
From Serial # IN16.0045.1001

Wok Ass'y From January 1, 2005



2005 Wok Built In 3.5-208V-60Hz (bow)

BUILT IN UNITS MUST HAVE ACCESSORIES INSTALLED



Wok Build In 3.5-208V-60Hz (Part 2).dwg

GARLAND PARTS IDENTIFICATION

GIW-3.5kW-208 Volts/60Hz

Built In Wok Manual Controls

(From Serial # IN16.0045.1001)

ITEM	PART #	DESCRIPTION	QTY	UP TO	FROM
1A^	95000033	Bowl Assembly	1		1-Jan-05
1B**^	98300024	Coil 203.02 With Metal Profil (NLA) Use 98300112	1	1-Jan-05	
	98300112	Ceran Wok Gass Assembly	1		1-Jan-05
1C^	98203021	Coil Wok-Induction With Carrier 3.5 kW			1-Jan-05
1D	60056702	Washer			1-Jan-05
1E	73000004	Compression Spring			1-Jan-05
1F	60678301	Nut			1-Jan-05
2	60016103	Nut M5	4		1-Jan-05
3A*	7221160	Angle Bar (NLA)	2	1-Jan-05	
3B	7214121	Angle Bar	2		1-Jan-05
4A	95282191	Shielding Plate Assembly Included Items 4C, 4D, 5A, 5B	1		
4B	60595002	Screws M4X8	3		
4C	69000013	Rubber Ring	1		
4D	72282181	Connection Covering (Aluminum Box Only)			1-Jan-05
5A	30000010	Ferrit 110mm	4		
5B	30000070	Ferrit 70mm	4		
7	72244100	Front Panel BH/IN	1		
8	72282180	Panel Box	1		
9	35624001	Front Indicator Lamp LED/24V/Green	1		
10^	39400001	Plastic Knob	1		
11	94010000	Main Power Switch W/Poti (Option)	1		
	35100000	Mains Power Switch - 2 Pins (With Out Poti)	1		
12	32950902	Harness	1		
13	94030004	Assembly Control Kit Included Items 6, 7, 8, 9, 10, 11, & 12	1		
14	35500004	Contactora K 1-90D10	1		
15A	N/A	Bottom Side Panel L	1		
15B	72248140	Bottom Side Panel R			
16	32960901	Female Plug			
21^	39223022	Axial Fan 230V	1		
22	94040001	NTC Heatsink Temperature Sensor 20k	1		
23	47301000	IGBT C5 Transistor Module	1		
24	65810002	Spacer For IGBT 10 x 2 mm	3		
25	60000301	IGBT Screws Heatsink	2		
26	60595004	Screws M5 x 12	3		
28	64070005	Pin M4 x 70mm	3		
29	42403010	Rectifier 1 Ph	1		
30	65810001	Spacer For Rectifier 8 x 8 mm	4		
31	60595003	Rectifier Screws Power PCB M4 x 16	4		
32	94900001	Logic - Power PCB Connector 10 Pins	1		
33A	98401800	Logic PCB W/Dip Switch Adjustment Dip Switch Position - (Switch # 6 & 7 ON, All Other Switches OFF)	1		
33B	32050200	Jumper Not Included on New Logic Board	1		
33C	64070007	Logic PCB Spacer	3		
33D	64070001	Pin M4x8mm	1		
34	N/A	Bottom Panel	1		

** PART AVAILABLE AS ASSEMBLY ONLY

* NOT ILLUSTRATED

^ PHOTO AT THE END

RECOMMENDED STOCK PARTS

GARLAND PARTS IDENTIFICATION

GIW-3.5kW-208 Volts/60Hz

Built In Wok Manual Controls

(From Serial # IN16.0045.1001)

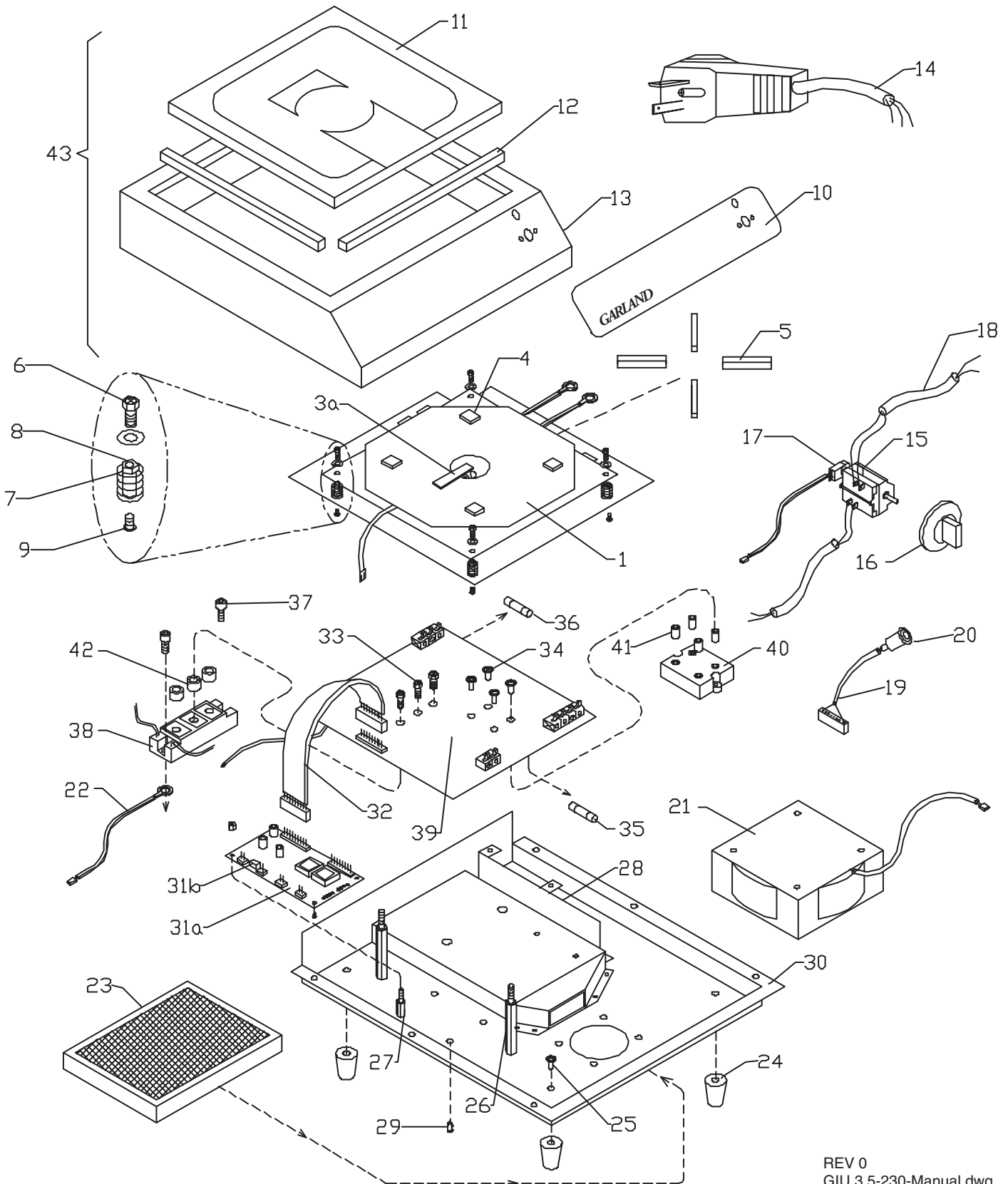
ITEM	PART #	DESCRIPTION	QTY	UP TO	FROM
36	72116012	Side Panel Alu	1		
38	34110019	Fuse For Fan T1A 250V 5X20	1		
39A	34120209	Fuse T20A 250V 6.3X32 Applicable For Power Board With One Fuse Holder Only	1		
39B	34120109	Fuse T10A 250V Applicable For New Power Board Only (2 Fuse Holders)	2		
40	91031050	Power Board 1N208/3.5 Sh-98	1		
41	38614031	Mains Cable With Plug NEMA 6-20	1		
42	71000003	Grease Filter SH/MU	1		
43	72183091	Grease Filter Holder	1		
44	72263020	Air Conductor Holder	1		
45	76000001	Air Conductor ALU	1		
46	76000002	Connector Sola	1		
47	76000003	Pistol For Silicone Glue	1		
48	70000015	Silicone Glue	1		

** PART AVAILABLE AS ASSEMBLY ONLY

* NOT ILLUSTRATED

^ PHOTO AT THE END

RECOMMENDED STOCK PARTS



REV 0
GIU 3.5-230-Manual.dwg

GARLAND PARTS IDENTIFICATION

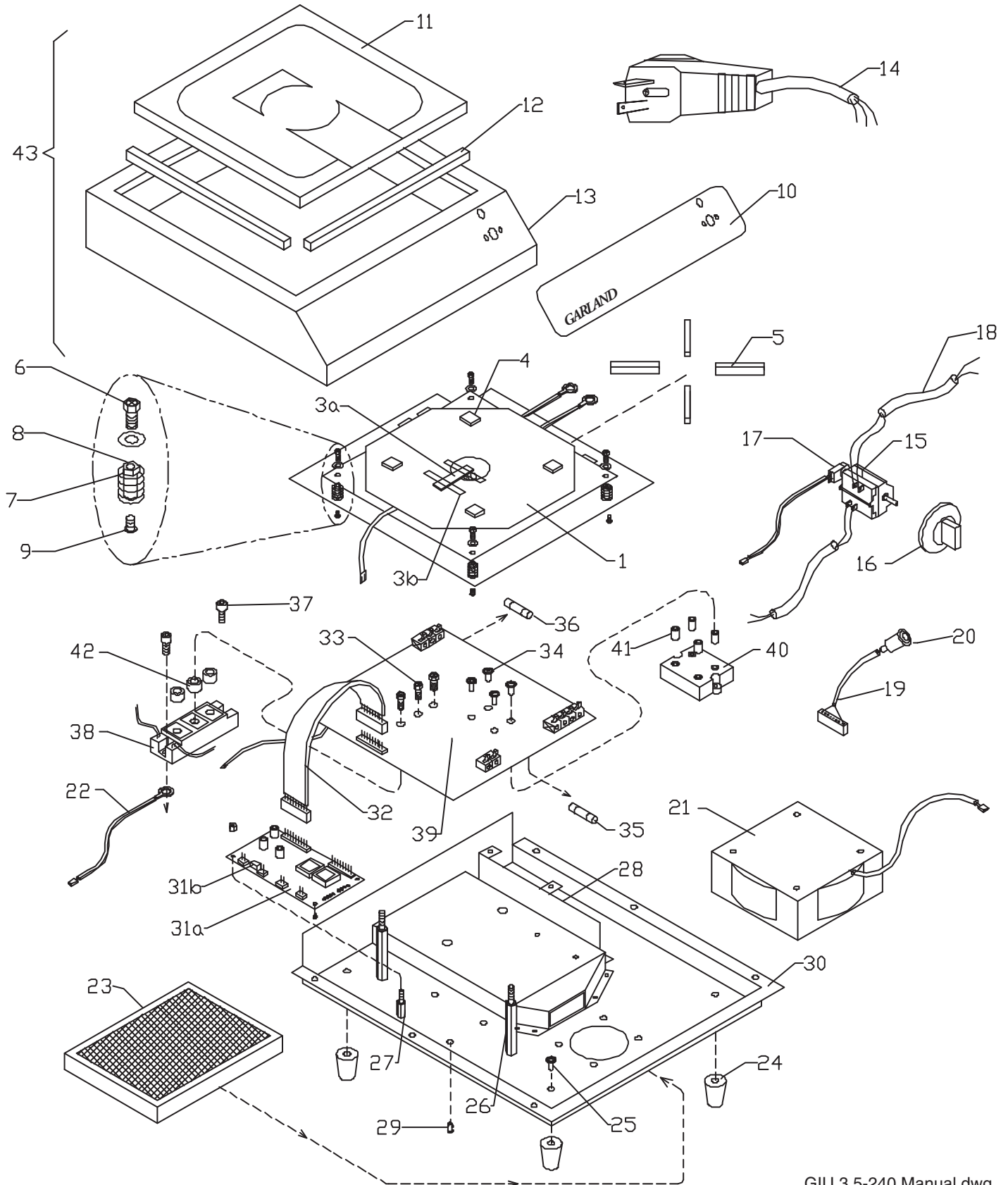
GIU-3.5Kw-230Volts-50Hz

Manual Controls

ITEM	PART #	DESCRIPTION	QUANTITY
1	93003030	Coil (Inverter) 3.03 With PTC Sensor	1
3a	94040010	PTC Sensor With Insulation And Plug Recommended to Replace along with item 3b	1
3b*	70100005	Superwool Insulation - 1000C, 4mm	
4	69000011	Spacer For Coil	1
5	30000010	Ferrit 110 mm	4
6	60595004	Screws M5 x 12	4
7	73000002	Coil Feather	4
8	65840001	Coil Pin	4
9	60528501	Plastic Screws For Coil M5x8	4
10	3012601	Induction Overlay	1
11	77322001	Ceran Glass 322 mm x 322 mm	1
12	70000002	Silicone Straps 305 x 6 x 4 mm	4
13	72185041	Case SH/BA	1
14	38615030	Mains Cable With Plug EU	1
15	35100000	Mains Power Switch - 2 Pins (With Out Poti)	1
16	39700004	Plastic Knob	1
17	94010000	Main Power With W/Poti (Option) Poti Not Available By Itself	1
18	94900008	Wire For Mains Switch	1
19	94900002	Wire For LED 24V / Green	1
20	35624001	Front Indicator Lamp LED/24V/Green	1
21	39223001	Radial Fan 230 VAC	1
22	94040001	NTC Heatsink Temperature Sensor 20K	1
23	71000003	Grease Filter SH/MU	1
24	72264010	Plastic Feet SH/MU	4
25	60595004	Screw M5 x 12	4
26	65070005	Pin M4 x 70 mm	2
27	64070001	Pin M4 x 8 mm	1
28	72116012	Side Panel Alu	1
29	64070007	Logic PCB Spacer	3
30	72185036	Bottom Panel	1
31a	98401800	Logic PCB W/Dip Switch Adjustment Dip Switch Position - (Switch # 7 ON, All Other Switches Off)	1
31b	32050200	Jumper Not Included On New Logic Board	1
32	94900001	Logic - Power PCB Connector 10 Pins	1
33	60595004	Screws M5 x 12	3
34	60595003	Rectifier Screws Power PCB M4 x 16	4
35	34110019	Fuse For Fan T1A 250V 5X20	1
36a	34120209	Fuse T120A 250V 6.3x32 Applicable for Power Board With One Fuse Holder Only	1
36b	34120109	Fuse T10A 250V Applicable for New Power Board	2
37	60000301	IGBT Screws - Heatsink	2
38	47301000	IGBT C5 Transistor Module	1
39	91031030	Power Board IN208/3.5 Sh	1
40	42403010	Rectifier, 1-Phase	1
41	65810001	Spacer For Rectifier 8mm x 8mm	4
42	65810002	Spacer For IGBT 10 x 2 mm	3
43	98300002	Assembly Kit – Upper Case Include Items: 11, 12, 13	1

* NOT ILLUSTRATED

RECOMMENDED STOCK PARTS



GIU 3.5-240 Manual.dwg

GARLAND PARTS IDENTIFICATION

GIU-3.5Kw-240Volts-60Hz

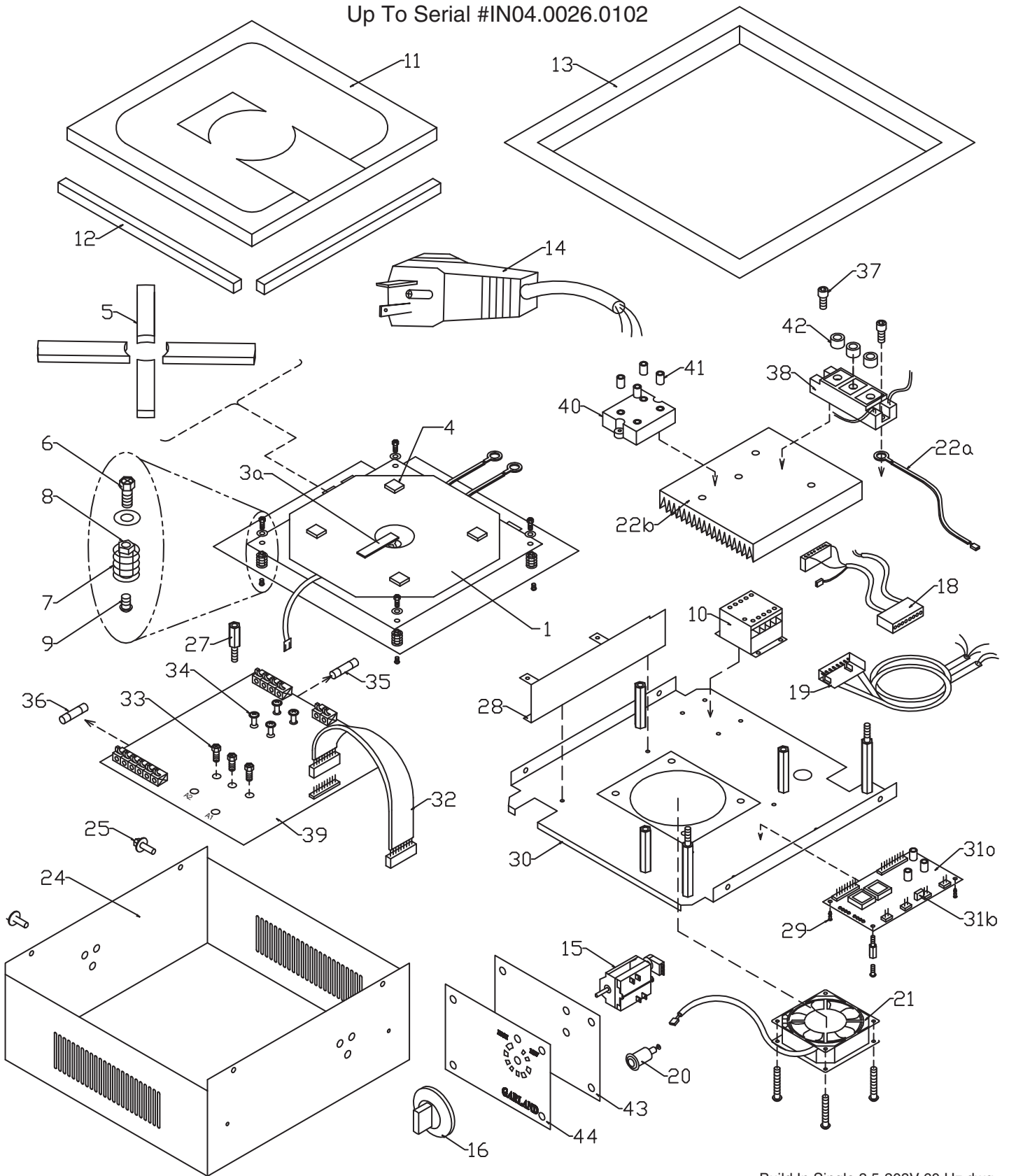
Manual Controls

ITEM	PART #	DESCRIPTION	QUANTITY
1	93003030	Coil (Inverter) 3.03 With PTC Sensor	1
3a	94040010	PTC Sensor With Insulation And Plug Recommended to Replace along with item 3b	1
3b*	70100005	Superwool Insulation - 1000C, 4mm	
4	69000011	Spacer For Coil	1
5	30000010	Ferrit 110 mm	4
6	60595004	Screws M5 x 12	4
7	73000002	Coil Feather	4
8	65840001	Coil Pin	4
9	60528501	Plastic Screws For Coil M5x8	4
10	3012601	Induction Overlay	1
11	77322001	Ceran Glass 322 mm x 322 mm	1
12	70000002	Silicone Straps 305 x 6 x 4 mm	4
13	72185041	Case SH/BA	1
14	38614031	Mains Cable With Plug NEMA 6-20	1
15	35100000	Mains Power Switch - 2 Pins (With Out Poti)	1
16	39700004	Plastic Knob	1
17	94010000	Main Power With W/Poti (Option) Poti Not Available By Itself	1
18	94900008	Wire For Mains Switch	1
19	94900002	Wire For LED 24V / Green	1
20	35624001	Front Indicator Lamp LED/24V/Green	1
21	39223001	Radial Fan 230 VAC	1
22	94040001	NTC Heatsink Temperature Sensor 20K	1
23	71000003	Grease Filter SH/MU	1
24	72264010	Plastic Feet SH/MU	4
25	60595004	Screw M5 x 12	4
26	64070005	Pin M4 x 70 mm	2
27	64070001	Pin M4 x 8 mm	1
28	72116012	Side Panel Alu	1
29	64070007	Logic PCB Spacer	3
30	72185036	Bottom Panel	1
31a	98401800	Logic PCB W/Dip Switch Adjustment Dip Switch Position - (Switch # 7 ON, All Other Switches Off)	1
31b	32050200	Jumper Not Included On New Logic Board	1
32	94900001	Logic - Power PCB Connector 10 Pins	1
33	60595004	Screws M5 x 12	3
34	60595003	Rectifier Screws Power PCB M4 x 16	4
35	34110019	Fuse For Fan T1A 250V 5X20	1
36a	34120209	Fuse T20A 250V 6.3X32 Applicable for Power Board With One Fuse Holder Only	1
36b	34120109	Fuse T10A 250V Applicable For New Power Board Only (2 Fuse Holders)	2
37	60000301	IGBT Screws - Heatsink	2
38	47301000	IGBT C5 Transistor Module	1
39	91031030	Power Control Board 3.5 kW/ 240V/ 60 Hz	1
40	42402510	Rectifier, 1-Phase (Use Part# 42403010)	1
41	65810001	Spacer For Rectifier 8mm x 8mm	4
42	65810002	Spacer For IGBT 10 x 2 mm	3
43	98300002	Assembly Kit – Upper Case Includes Items: 11, 12, 13	1

* NOT ILLUSTRATED

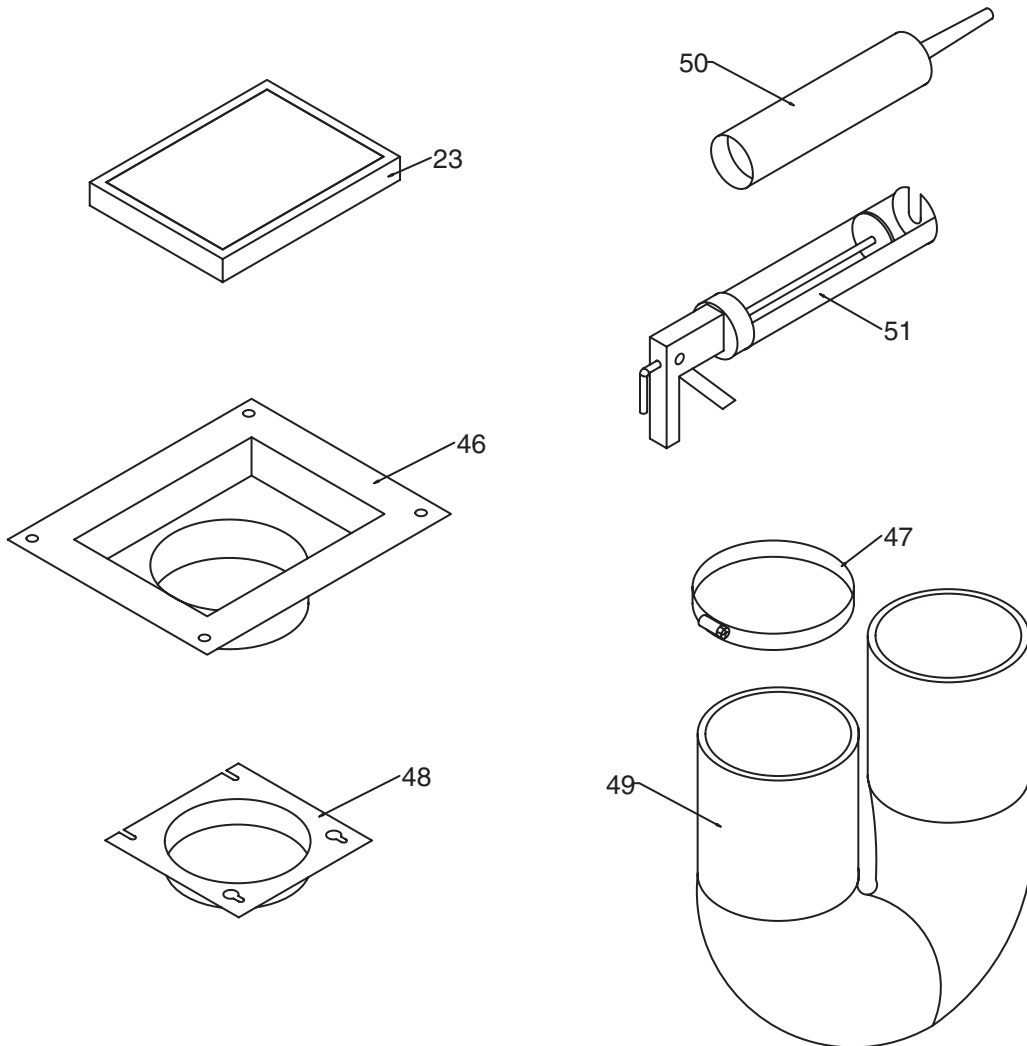
RECOMMENDED STOCK PARTS

Up To Serial #IN04.0026.0102



Build In Single 3.5-208V 60 Hz.dwg

BUILT IN UNITS MUST HAVE ACCESSORIES INSTALLED



REV. 0
Build in 3.5-208V-60Hz (Part 2).dwg

GARLAND PARTS IDENTIFICATION

Built In GIU-3.5Kw-240Volts-60Hz

Manual Controls

Up To Serial # IN04.0026.0102

ITEM	PART #	DESCRIPTION	QUANTITY
1	93003040	Induction Coil 208/3.5 With PTC Sensor	1
3a	94040010	PTC Sensor With Insulation And Plug Recommended to Replace Along With Item 3b	1
3b*	70100005	Superwool Insulation - 1000C, 4mm	
4	69000011	Spacer For Coil	1
5	30000010	Ferrit 110 mm	4
6	60595004	Screws M5 x 12	4
7	73000002	Coil Feather	4
8	65840001	Coil Pin	4
9	60528501	Plastic Screws For Coil M5x8	4
10	35500004	Contactora K 1-09D10	1
11	77322001	Ceran Glass 322 mm x 322 mm	1
12	70000002	Silicone Strops 305 x 6 x 4 mm	4
13	98300021	Built In Frame Completely	1
14	38614030	Mains Cable With Plug NEMA 6-20	1
15	35100000	Mains Power Switch - 2 Pins (Without Poti)	1
	94010000	Main Power Switch W/Poti (Option)	1
16^	39400004	Plastic Knob	1
18	94900023	Wire LED - Switch	1
	94900022	Potentiometer Connection Wire	1
	38107000	Contactora Ignition Wire 0,75mm	1
	32155800	Connector 8 Pol	1
19	94030002	Assembly control Panel Kit Includes Items: 15, 16, 19, 20, 43 & 44 (Connector not available by itself)	1
20	35624001	Front Indicator Lamp LED/24V/Green	1
21^	39223022	Axial Fan 230 V	1
22a	94040001	NTC Heatsink Temperature Sensor 20K	1
22b	33143011	Heatsink	
23	71000003	Grease Filter SH/MU	1
24	72248061	Side Cover Panel	4
25	60595002	Screws M4 x 8	4
26	64070005	Pin M4 x 70 mm	2
27	64070001	Pin M4 x 8 mm	1
28	72116012	Side Panel Alu	1
29	64070007	Logic PCB Spacer	3
30	72250021	Bottom Sheet	1
31a	98401800	Logic PCB W/Dip Switch Adjustment Dip Switch Position - (Switch # 7 ON, All Other Switches Off)	1
31b	32050200	Jumper Not Included On New Logic Board	1
32	94900001	Logic - Power PCB Connector 10 Pins	1
33	60595004	Screws M5 x 12	3
34	60595003	Rectifier Screws Power PCB M4 x 16	4
35	34110019	Fuse For Fan T1A 250V 5X20	1
36a	34120209	Fuse T20A 250V 6.3X32 Applicable for Power Board With One Fuse Holder only	1
36b	34120109	Fuse T10A 250V Applicable for New Power Board Only (2 Fuse Holders)	2
37	60000301	IGBT Screws - Heatsink	

* NOT ILLUSTRATED

^ PHOTO AT THE END

RECOMMENDED STOCK PARTS

GARLAND PARTS IDENTIFICATION

Built In GIU-3.5Kw-240Volts-60Hz

Manual Controls

Up To Serial # IN04.0026.0102

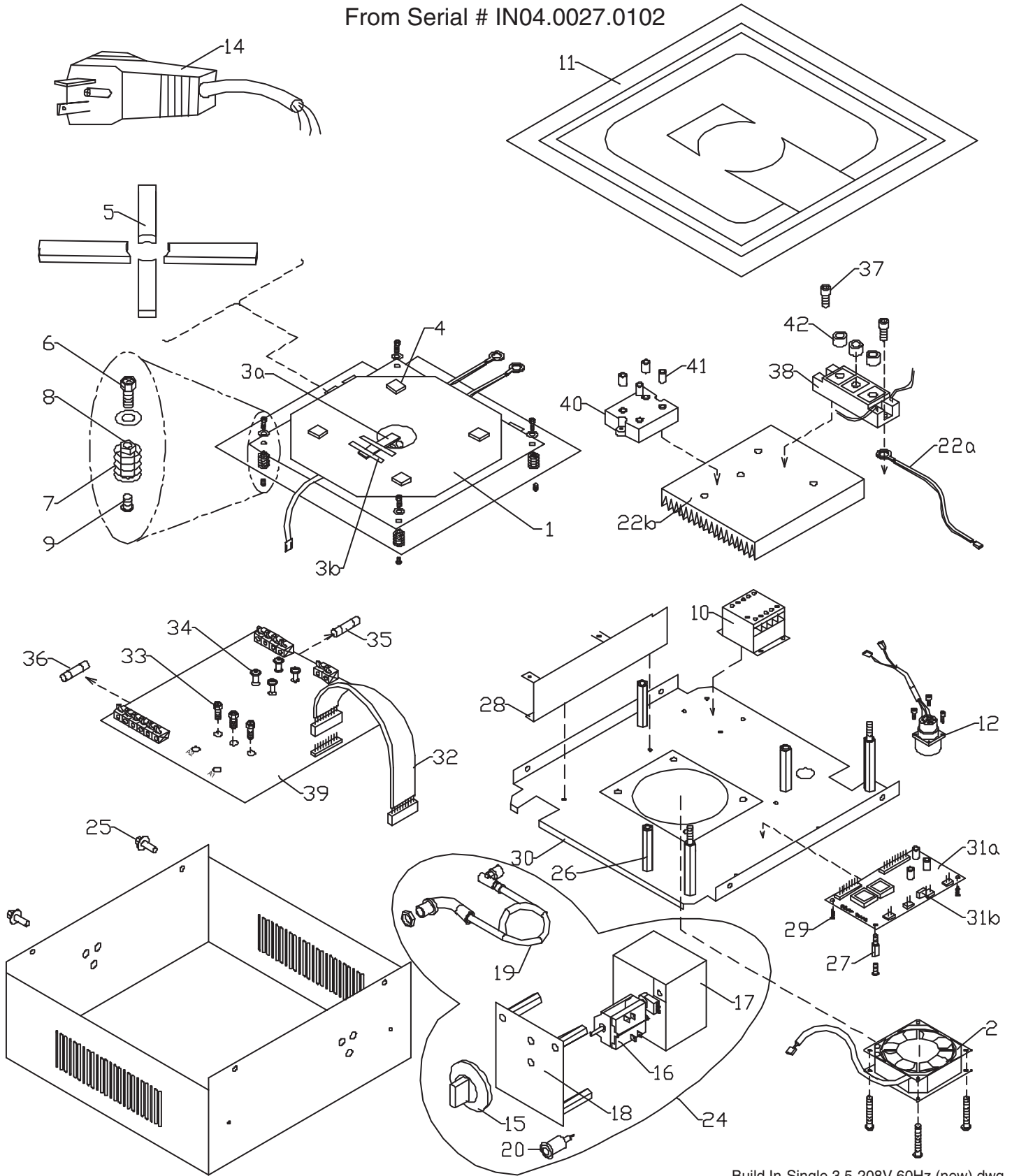
ITEM	PART #	DESCRIPTION	QUANTITY
38	47301000	IGBT C5 Transistor Module	1
39	91031030	Power Control Board 1N208/3.5 Sh-98	1
40	42402510	Rectifier, 1-Phase	1
41	65810001	Spacer For Rectifier 8mm x 8mm	4
42	65810002	Spacer For IGBT 10 x 2 mm	3
43	72244010	Front Panel SH/IN	1
44	3014500	Garland Label	1
46	72183091	Grease Filter Holder	1
47	76000002	Connector Sola	2
48	72263020	Air Conductor Holder	1
49	76000001	Air Conductor ALU	1
50	70000015	Silicone Glue PACTAN 7076	1
51	76000003	Pistol For Silicone Glue	1
60*	98300021	Top Glass (Completely Assembled) Included Items: 11, 12, 13	1

* NOT ILLUSTRATED

^ PHOTO AT THE END

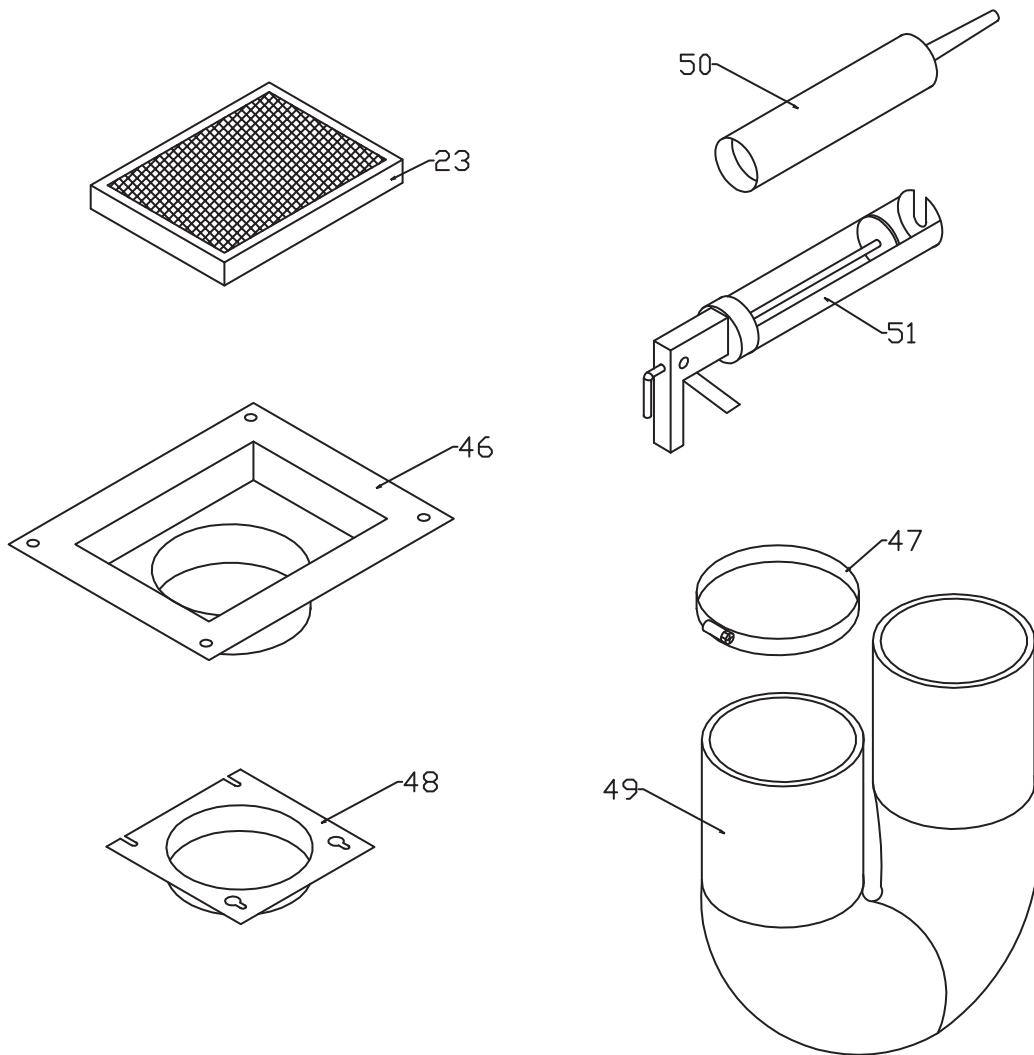
RECOMMENDED STOCK PARTS

From Serial # IN04.0027.0102



Build In-Single 3.5-208V 60Hz (new).dwg

BUILT IN UNITS MUST HAVE ACCESSORIES INSTALLED



GARLAND PARTS IDENTIFICATION
Built In GIU 3.5Kw/208Volts/60Hz Manual Controls
Manual Controls
From Serial # IN04.0027.0102

ITEM	PART #	DESCRIPTION	QUANTITY
1	93003040	Induction Coil 208/3.5 With PTC Sensor	1
3a	94040010	PTC Sensor with Insulation And Plug Recommended to Replace along with Item 3b	1
3b	70100005	Superwool Insulation - 1000C, 4mm	
4	69000011	Spacer For Coil	4
5	30000010	Ferrit 110 mm	4
6	60595004	Screws M5 x 12	4
7	73000002	Coil Feather	4
8	65840001	Coil Pin	4
9	60528501	Plastic Screws For Coil M5X8	4
10	35500004	Contactora K 1-09D10	1
11	98300021	Built In Frame Completely	1
12	95000010	Female Plug (Amphenol 9 Pol) With Wires	
14	38614030	Mains Cable With Plug NEMA 6-20	1
15^	39400001	Plastic Knob 0-12	1
16	94010000	Main Power Switch W/Poti (Option)	1
17	72282180	Panel Box	1
18	72244100	Front Panel BH / IN	1
19	32950902	Harness	1
20	35624001	Front Indicator Lamp LED/24V/Green	1
21^	39223022	Axial Fan 230V	1
22a	94040001	NTC Heatsink Temperature Sensor 20K	1
22b	33143011	Heatsink	1
23	71000003	Grease Filter SH /MU	1
24	94030004	Assembly Control Kit	4
25	60595002	Screws M4X 8	4
26	64070005	Pin M4x70mm	2
27	64070001	Pin M4x8mm	1
28	72116012	Side panel Alu	1
29	64070007	Logic PCB Spacer	3
30	72250021	Bottom Sheet	1
31a	98401800	Logic PCB W/Dip Switch Adjustment Dip Switch Position - (Switch # 7 ON, All Other Switches OFF)	1
31b	32050200	Jumper Not Included On New Logic Board	1
32	94900001	Logic-Power PCB Connector 10 Pins	1
33	60595004	Screws M5 x 12	3
34	60595003	Rectifier Screws Power PCB M4x16	4
35	34110019	Fuse For Fan T1A 250V 5X20	3
36a	34120209	Fuse T20A 250V 6.3X32 Applicable for Power Board With One Fuse Holder Only	1
36b	34120109	Fuse T10A 250V Applicable for New Power Board Only (2 Fuse Holders)	2
37	60000301	IGBT Screws - Heatsink	2
38	47301000	IGBT C5 Transistor Module	1
39	91031050	Power Board 1N208/3.5 Sh-98	1
40	42403010	Rectifier 1Ph	1
41	65810001	Spacer For Rectifier 8x8mm	4
42	65810002	Spacer For IGBT 10X 2mm	3
46	72183091	Grease Filter Holder	1

* NOT ILLUSTRATED

^ PHOTO AT THE END

RECOMMENDED STOCK PARTS

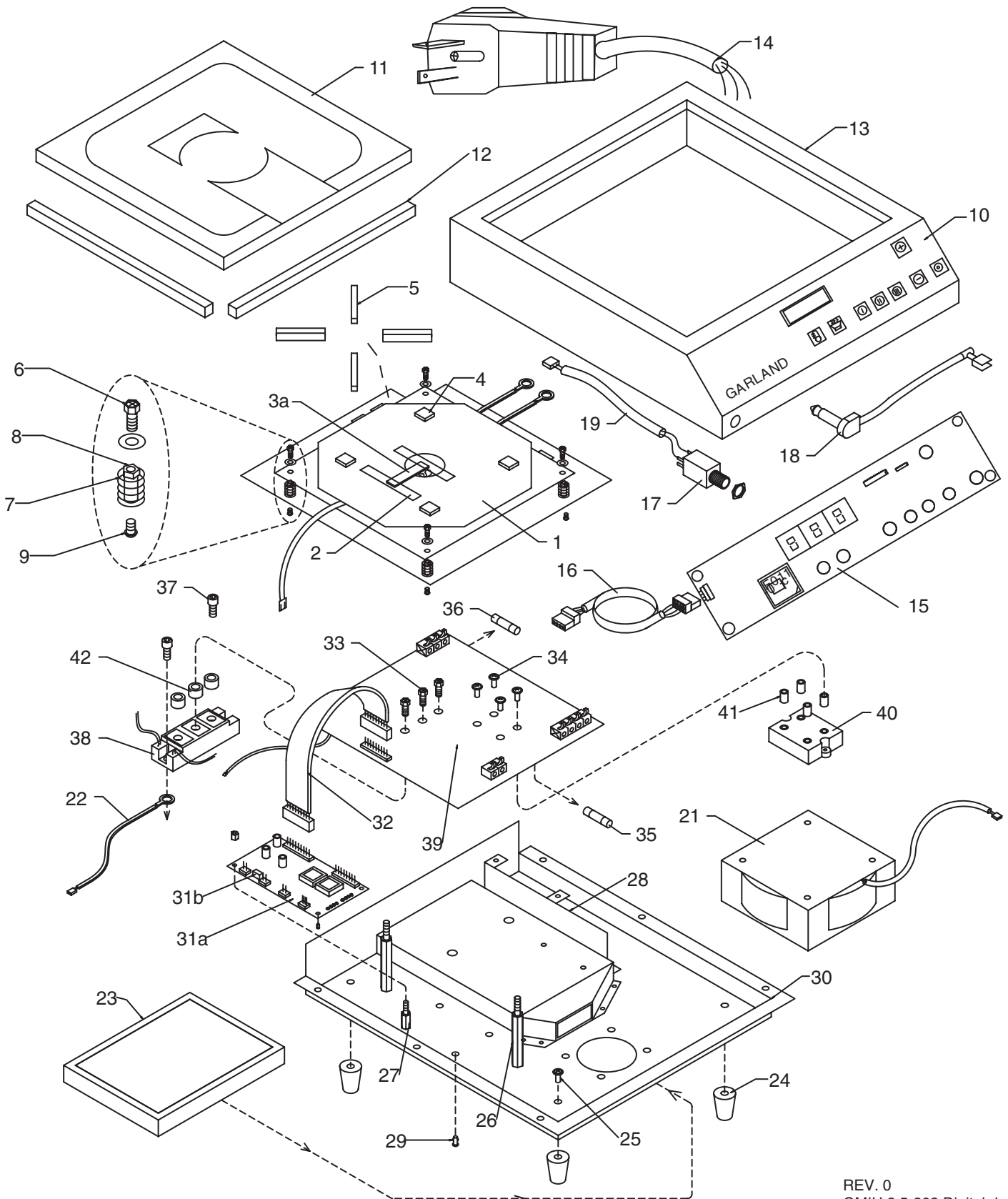
GARLAND PARTS IDENTIFICATION
Built In GIU 3.5Kw/208Volts/60Hz Manual Controls
Manual Controls
From Serial # IN04.0027.0102

ITEM	PART #	DESCRIPTION	QUANTITY
47	76000002	Connector Sola	2
48	72263020	Air Conductor Holder	1
49	76000001	Air Conductor ALU	1
50	70000015	Silicone Glue PACTAN 7076	1
51	76000003	Pistol For Silicone Glue	1

* NOT ILLUSTRATED

^ PHOTO AT THE END

RECOMMENDED STOCK PARTS



REV. 0
GMIU 3.5-208 Digital.dwg

GARLAND PARTS IDENTIFICATION

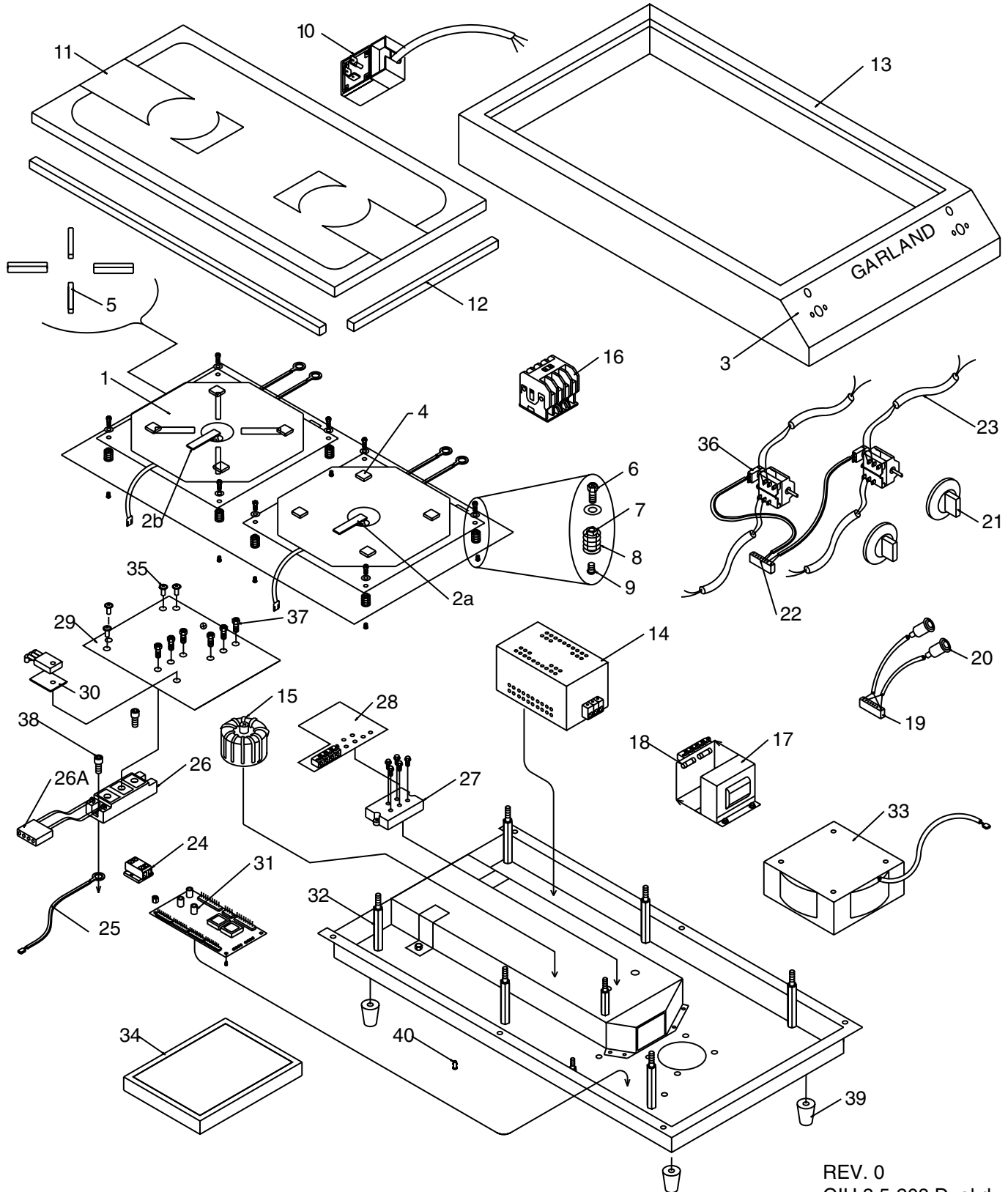
GIU-3.5Kw-208 Volts-60Hz

Manual Controls

ITEM	PART #	DESCRIPTION	QUANTITY
1	93003040	Induction Coil 208/3.5 With PTC Sensor	1
3a	94040010	PTC Sensor With Insulation And Plug Recommended to Replace Item 3b Also	1
3b*	70100005	Superwool Insulation - 1000C, 4mm	
4	69000011	Spacer For Coil	1
5	30000010	Ferrit 110 mm	4
6	60595004	Screws M5 x 12	4
7	73000002	Coil Feather	4
8	65840001	Coil Pin	4
9	60528501	Plastic Screws For Coil M5x8	4
10	3012603	Overlay 14-1/2" x 3" Digital Display	1
11	77322001	Ceran Glass 322 mm x 322 mm	1
12	70000002	Silicone Straps 305 x 6 x 4 mm	4
13	72185081	Case SH/MU	1
14	38614031	Mains Cable With Plug NEMA 6-20	1
15	98403300	Keyboard PCB (W/Fahrenheit (°F) Adjustment)	1
16	94900005	4 Pin Cable For Multi Line KeyBoard	1
17	32050300	Socket For External Temperature Sensor	1
18	39800000	External Temperature Sensor Multi Line – Probe	1
19	94900004	Wiring For Sensor Socket	
21	39223001	Radial Fan 230 Vac	1
22	94040001	NTC Heatsink Temperature Sensor 20K	1
23	71000003	Grease Filter SH/MU	1
24	72264010	Plastic Feet SH/MU	4
25	60595004	Screws M5 x 12	4
26	64070005	Pin M4 x 70 mm	2
27	64070001	Pin M4 x 8 mm	1
28	72116012	Side Panel Alu	1
29	64070007	Logic PCB Spacer	3
30	72185036	Bottom Panel	1
31a	98401802	Logic PCB W/Dip Switch Adjustment Dip Switch Position - (Switch # 7 ON, All Other Switches Off)	1
31b	32050200	Jumper Not Included On New Logic Board	1
32	94900001	Logic - Power PCB Connector 10 Pins	1
33	60595004	Screws M5 x 12	3
34	60595003	Rectifier Screws Power PCB M4 x 16	4
35	34110019	Fuse For Fan T1A 250V 5X20	1
36a	34120209	Fuse T20A 250V 6.3X32 Applicable For Power Board With One Fuse Only	1
36b	34120109	Fuse T10A 250V Applicable For New Power Board only (2 Fuse Holders)	2
37	60000301	IGBT Screws - Heatsink	2
38	47301000	IGBT C5 Transistor Module	1
39	91031050	Power Board IN208/3.5 Sh-98	1
40	42403010	Rectifier 1 Ph	1
41	65810001	Spacer For Rectifier 8mm x 8mm	4
42	65810002	Spacer For IGBT 10 x 2 mm	3

* NOT ILLUSTRATED

RECOMMENDED STOCK PARTS



REV. 0
GIU 3.5-208 Dual.dwg

GARLAND PARTS IDENTIFICATION

GIU-3.5Kw-208 Volts-60Hz

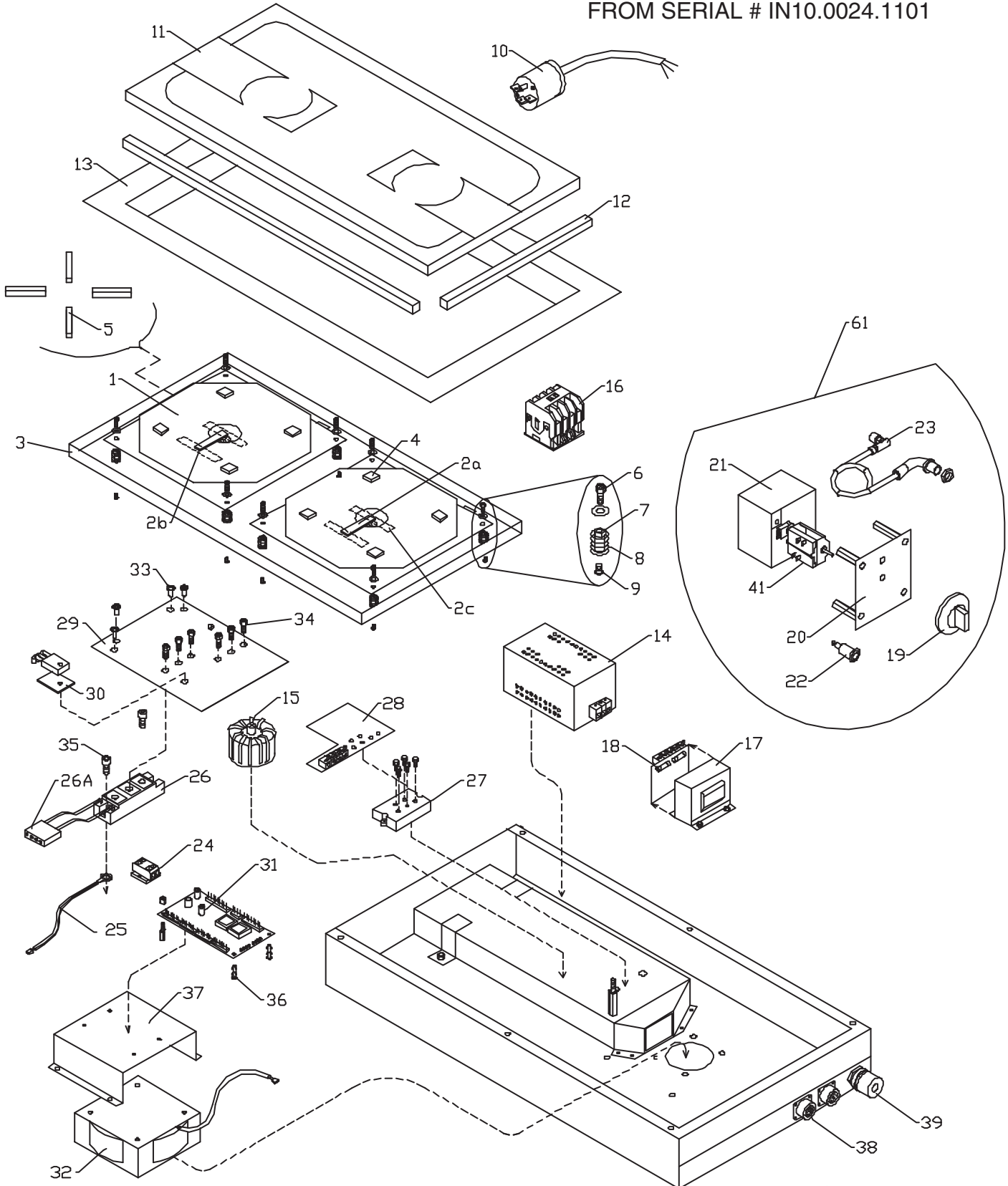
Dual

ITEM	PART #	DESCRIPTION	QUANTITY
1	93005020	Coil (Inverter) 5.02 With PTC Sensor	2
2a	12231100a	PTC Sensor 1K Recommended to Replace Along With 2c	1
2b	12231100b	PTC Sensor 1K (Rear Sensor) Recommended to Replace Along With 2c	1
2c*	70100005	Superwool Insulation - 1000C, 4mm	
3	3012602	Overlay 14-1/2" x 3" (2 Knobs)	1
4	69000011	Spacer For Coil	8
5	30000010	Ferrit 110 mm	8
6	60595004	Screws M5 x 12	8
7	65840001	Coil Pin	8
8	73000001	Coil Feather	8
9	60528501	Plastic Screws For Coil M5x8	8
10	38640040	Mains Cable	1
	32750401	Mains Plug NEMA 15-30P	1
11	77325801	Ceran Glass 320 mm x 580mm	1
12	70000002	Silicone Strips 305 x 6 x 4 mm	4
	70000003	Silicone Strips 565 x 6 x 4 mm	4
13	72185063	Case SH/DU/BA	1
14	39333002	Mains Filter FFU 3 x30-STH	1
15	30305001	Filter Coil 50uH / 50A	1
16	36500005	Contactora K2-12A10-(coil - 230V)	1
17	98000038	Supply Transformer 208 - 230/24 with Fuses PCB	1
18	34110019	Fuse For Fan T1A 250V 5X20 (10 Pieces)	2
19	94900017	Wire For LED - Field 1	1
	94900018	Wire For LED - Field 2	1
20	35624001	Front Indicator Lamp LED/24V/Green	1
21	39400001	Plastic Knob 0-12	2
22	94900015	Wire For Potentiometer - Field 1	1
	94900016	Wire For Potentiometer - Field 2	1
23	38107000	Contactora Ignition Wire 0,75mm	1
24	32140203	Connector 2 Pins 4mm	1
25	94040002	NTC Heatsink Temp. Sensor - Field 1	1
	94040003	NTC Heatsink Temp. Sensor - Field 2	1
26	47301000	IGBT C5 Transistor Module	1
26A	94900011	Transistor Cable With Plug - Field 1	1
26B*	94900012	Transistor Cable With Plug - Field 2	1
27	42506230	Rectifier 3 Phase	1
28	91014030	Rectifier PCB	1
29	91026160	Power PCB Dual 2x3.5 kW /208V	1
30	70100003	Ceramic Insulation For Small Transistors 17 X 24 mm !! Very Important	1
31	98401801	Logic PCB W/DIP switch Adjustment Dip Switch Position - (All Switches OFF)	1
32	64070006	Bottom Panel Pin M4x92	6
33	39223001	Radial Fan 230 Vac	1
34	71000003	Grease Filter SH/MU	1
35	M4X Coil Screws	Screws M4X8	4
36	94010000	Main Power Switch W/Poti (Option)	2
37	60595004	Screws M5 x 12	6
38	60000301	IGBT Screws - Heatsink	2
39	72264010	Plastic Feet SH/MU	4
40	64070007	Logic PCB Spacer	2

* NOT ILLUSTRATED

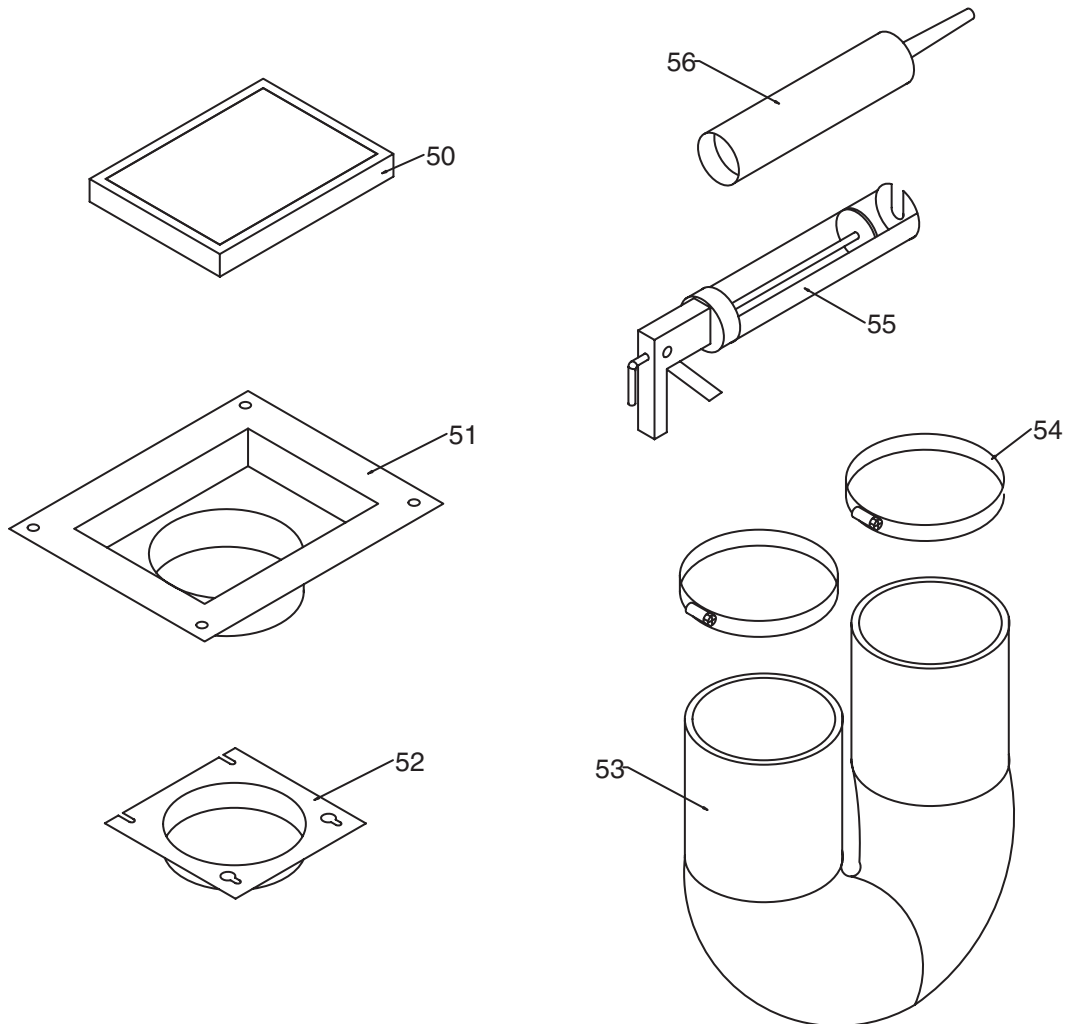
RECOMMENDED STOCK PARTS

FROM SERIAL # IN10.0024.1101



GIU 3.5-208 Dual BI.dwg

BUILT IN UNITS MUST HAVE ACCESSORIES INSTALLED



GARLAND PARTS IDENTIFICATION

GIU-3.5Kw-208 Volts-60Hz

Dual Built In

(From Serial # IN10.0024.1101)

ITEM	PART #	DESCRIPTION	QUANTITY
1	93005020	Coil (Inverter) 5.02 With PTC Sensor	2
2a	12231100a	PTC Sensor 1K Recommended to Replace Along With 2c	1
2b	12231100b	PTC Sensor 1K (Rear Sensor) Recommended to Replace Along With 2c	1
2c	70100005	Superwool Insulation - 1000C, 4mm	
3	72247252	Coil Holder Sheet	1
4	69000011	Spacer For Coil	8
5	30000010	Ferrit 110 mm	8
6	60595004	Screws M5 x 12	8
7	65840001	Coil Pin	8
8	73000001	Coil Feather	8
9	60528501	Plastic Screws For Coil M5x8	8
10	38640040	Mains Cable	1
	32750401	Mains Plug NEMA 15-30P	1
11	77325801	Ceran Glass 320 mm x 580mm	1
12	70000002	Silicone Strips 305 x 6 x 4 mm	4
	70000003	Silicone Strips 565 x 6 x 4 mm	4
13	98300022	Install Frame	1
14	39333002	Mains Filter FFU 3 x30-STH	1
15	30305001	Filter Coil 50uH / 50A	1
16	35500005	Contactora K2-12A10-(coil - 230V)	1
17	98000038	Supply Transformer 208 - 230/24 with Fuses PCB	1
18	34110019	Fuse For Fan T1A 250V 5X20 (10 Pieces)	2
19	39400001	Plastic Knob	2
	72244100	Front Panel BH/IN	2
21	72282180	Panel Box	2
22	35624001	Front Indicator Lamp LED/24V/Green	2
23	32950902	Harness	2
24	32140103	Connector 2 Pins 4 mm	1
25	94040002	NTC Heatsink Temp. Sensor - Field 1	1
	94040003	NTC Heatsink Temp. Sensor - Field 2	1
26	47301000	IGBT C5 Transistor Module	2
26A	94900011	Transistor Cable With Plug - Field 1	1
26B*	94900012	Transistor Cable With Plug - Field 2	1
27	42506230	Rectifier 3 Phase	1
28	91014030	Rectifier PCB	1
29	91026160	Power PCB Dual 2x3, 5kW/208V	1
30	70100003	Ceramic Insulation For Small Transistors 17 x 24mm !! - Very Important	1
31	98401801	Logic PCB W/DIP Switch Adjustment Dip Switch Position - (All Switches OFF)	1
32	39223001	Radial Fan 230 Vac	1
33	M4X 8 Coil Srews	Screws M4X 8	4
34	60595004	Screw M5 x 12	6
35	60000301	IGBT Screws - Heatsink	4
36	64070007	Logic PCB Spacer	1
37	72253013	CPU Mounting Profile	1
38	32960901	Female Plug	2
39	39500011	Cable Gland PG21	1
41	35200000	Mains Power Switch - 2 Pins (Without Poti)	

* NOT ILLUSTRATED

RECOMMENDED STOCK PARTS

GARLAND PARTS IDENTIFICATION

GIU-3.5Kw-208 Volts-60Hz

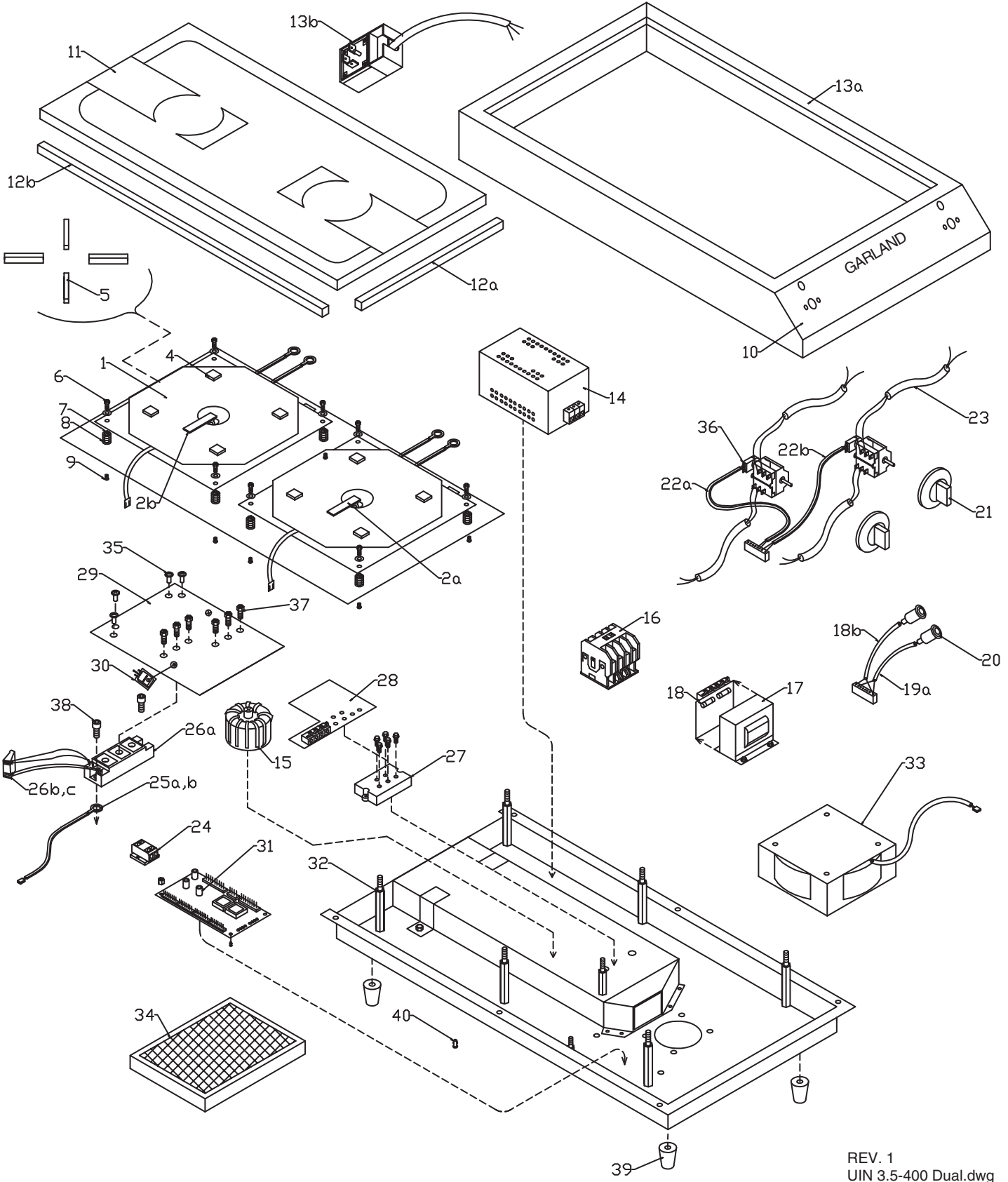
Dual Built In

(From Serial # IN10.0024.1101)

ITEM	PART #	DESCRIPTION	QUANTITY
50	71000003	Grease Filer SH/MU	1
51	72183091	Grease Filer Holder	3
52	72263020	Air Conductor Holder	1
53	76000001	Air Conductor ALU	1
54	76000002	Connector Sola	2
55	76000003	Pistol For Silicone Glue	1
56	70000015	Silicone Glue PACTAN 7076	1
60*	98300022	Top Glass (Completely Assembled) Included Items: 11, 12, 13	1
61	94030004	Assembly Control Kit	2

* NOT ILLUSTRATED

RECOMMENDED STOCK PARTS



REV. 1
UIN 3.5-400 Dual.dwg

GARLAND PARTS IDENTIFICATION

GIU-3.5Kw Dual /400 Volts / 50Hz

ITEM	PART #	DESCRIPTION	QUANTITY
1	93005020	Coil (Inverter) 5.02 With PTC Sensor	2
2a	12231100a	PTC Sensor 1K Recommended to Replace Along With 3	1
2b	12231100b	PTC Sensor 1K (Rear Sensor) Recommended to Replace Along With 3	1
3*	70100005	Superwool Insulation - 1000C, 4mm	
4	69000011	Spacer For Coil	8
5	30000010	Ferrit 110 mm	8
6	60595004	Screws M5 x 12	8
7	65840001	Coil Pin	8
8	73000002	Coil Feather	8
9	60528501	Plastic Screws For Coil M5x8	8
10	3012602	Overlay 14-1/2" X 3" (2 Knobs)	1
11	77325801	Ceran Glass 320 mm x 580mm	1
12a	70000002	Silicone Strips 305 x 6 x 4 mm	2
12b	70000003	Silicone Strips 565 x 6 x 4 mm	2
13a	72185063	Case SH/DU/BA	1
13b	38625040	Main Cable	1
	32750500	Main Plug EU	1
14	39331601	Mains Filter FFU 3 x16B-STH	1
15	30305001	Filter Coil 50uH / 50A	1
16	36500005	Contacto K2-12A10-(coil - 230V)	1
17	98000010	Supply Transformer 400 - 230/24 with Fuses PCB	1
18	34110019	Fuse For Fan T1A 250V 5X20	2
19a	94900017	Wire For LED - Field 1	1
19b	94900018	Wire For LED - Field 2	1
20	35624001	Front Indicator Lamp LED/24V/Green	1
21	39400001	Plastic Knob 0-12	2
22a	94900015	Wire For Potentiometer - Field 1	1
22b	94900016	Wire For Potentiometer - Field 2	1
23	38107000	Contacto Ignition Wire 0,75mm	1
24	32140203	Connector 2 Pins 4mm	1
25a	94040002	NTC Heatsink Temp. Sensor - Field 1	1
25b	94040003	NTC Heatsink Temp Sensor - Field 2	1
26a	47400750	Transistor Module C1	1
26a	94900011	Transistor Cable With Plug - Field 1	1
26b	94900012	Transistor Cable With Plug - Field 2	1
27	42506230	Rectifier 3 Phase	1
28	91014030	Rectifier PCB	1
29	91026130	Power PCB Dual 2x3.5kW/ 400V/ 50 Hz	1
30	70100003	Ceramic Insulation For Small Transistors 17 X 24 mm !! Very Important	1
31	98401801	Logic PCB W/DIP switch Adjustment Dip Switch Position - (Switch #5 On, All Other Switches OFF)	1
32	64070006	Bottom Panel Pin M4x92	2
33	39223001	Radial Fan 230 Vac	1
34	71000003	Grease Filter SH/MU	1
35	M4X Coil Screws	Screws M4X8	4
36	94010000	Main Power Switch W/Poti (Option)	2
37	60595004	Screws M5 x 12	6
38	60387301	IGBT Screws - Heatsink	4
39	72264010	Plastic Feet Sh/MU	4
40	64070007	Logic PCB Spacer	2

* NOT ILLUSTRATED

RECOMMENDED STOCK PARTS

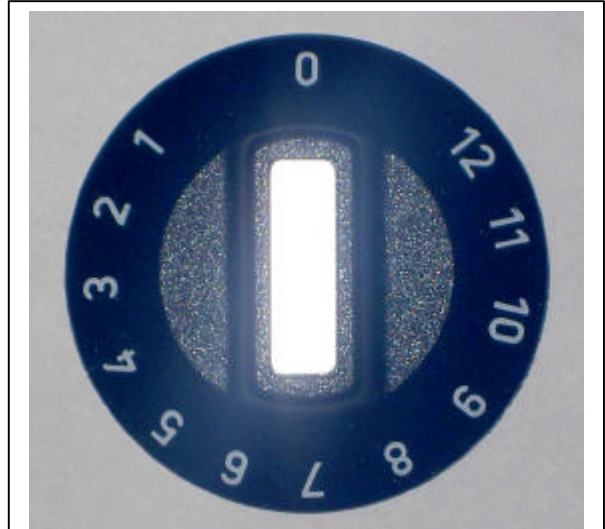
GARLAND PARTS IDENTIFICATION (RECOMMENDED STOCK PARTS)

A. GIU 3.5Kw/208Volts/60Hz Manual Controls B. GI-Wok 3,5 kW /208 Volts / 60Hz / 1Phase C. GI-Wok Build In 3,5 kW /208 Volts / 60Hz / 1Phase D. GIU 3.5Kw/230Volts/60Hz Manual Controls E. BUILT IN GIU 3.5Kw/208Volts/60Hz Manual Controls F. GIU 3.5Kw/208Volts/60Hz Digital Controls G. GIU 3.5Kw Dual / 208Volts / 60Hz H. GIU 3,5 kW Dual / 400 Volts / 50Hz			
#	PART #	DESCRIPTION	PART USED
1	94040010	PTC Sensor with Insulation And Plug	A,D,E,F
2	70100005	Superwool Insulation - 1000C, 4mm	A,D,E,F,G,H
3	94010000	Main Power Switch W/Poti (Option) Poti Not Available By Itself	A,B,C,D,E,G,H
4	39400004	Plastic Knob	A,B,C,D,E
5	35624001	Front Indicator Lamp LED/24V/Green	A,B,C,D,E,G,H
6	39223001	Radial Fan 230 Vac	A,B,D,F,G,H
7	39223022	Axial Fan 230V	C,E
8	94040001	NTC Heatsink Temperature Sensor 20K	A,B,C,D,E,F
9	71000003	Grease Filter SH /MU	A,B,C,D,E,F,G,H
10	98401800	Logic PCB W/Dip Switch Adjstment	A,C,D,E
11	34110019	Fuse For Fan T1A 250V 5X20	A,B,C,D,E,F,G,H
12	34120209	Fuse T20A 250V 6.3X32	A,B,C,D,E,F
13	47301000	IGBT C5 Transistor Module	A,C,D,E,F
14	42403010	Rectifier 1Phase	A,B,D,E,F
15	98403300	Keyboard PCB (W/Fahrenheit (°F) Adjustment)	F
16	98401802	Logic PCB W/Dip Switch Adjstment	F
17	39400001	Plastic Knob 0-12	G,H
18	94040002	NTC Heatsink Temp. Sensor – Field 1	G,H
19	94040003	NTC Heatsink Temp. Sensor – Field 2	G,H
20	42506230	Rectifier 3 Phase	G,H
21	98401801	Logic PCB W/DIP switch adjustment	G,H
22	12231100a	PTC Sensor 1K	G,H
23	12231100b	PTC Sensor 1K (Rear Sensor)	G,H

Garland Part Photos



39400004 = Plastic Knob

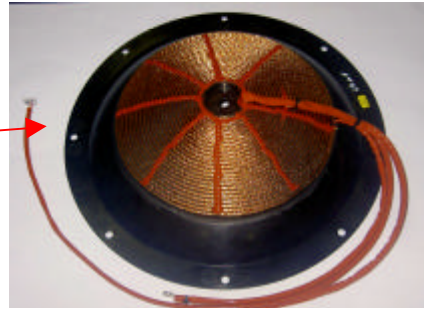
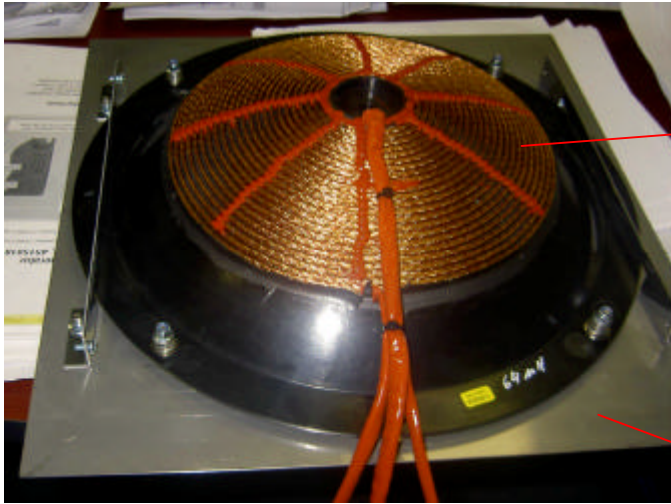


39400001 = Plastic Knob (0-12)

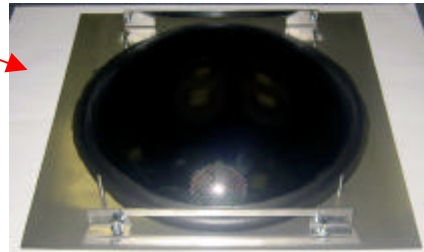


39223022 = Axial Fan 230V

NEW STYLE BOWL ASSEMBLY



P/N 93203021 Coil Wok Induction with Carrier 3.5kW
 P/N 93203011 Coil Wok Induction with Carrier 5.0kW



P/N 98300112 Frame, Built-in Top
 W/Ceran Bowl

NEW STYLE WOK CERAN BOWL AND INDUCTION
 COIL ASSEMBLY,
 * P/N 95000033 BOWL ASSEMBLY 3.5Kw.

OLD STYLE BOWL ASSEMBLY



OLD STYLE CERAN
 WOK BOWL WITH
 INDUCTION COIL AS
 ONE ASSEMBLY.
 (NLA) USE NEW
 STYLE BOWL
 ASSEMBLY LISTED
 ABOVE.

P/N 98300024 3.5kW
 SHOWN IN PHOTO.

P/N 98300023 5.0kW
 NOT SHOWN

GARLAND PARTS IDENTIFICATION

Revision History

REV. #	PAGE #	ITEM #	NOTE	DATE
10	10	10	Photo At The End Symbol Added	Jun 21/05
		21	New Part Number – Was 39223021 & Photo At The End	
	12	6	New Drawing – Item # 6 Removed (Overlay Not Used In Ass'y)	
		6	Removed – (Overlay Not Used In Ass'y)	
	14	10	New Part Number – Was 390004 & Photo At The End	
		21	New Part Number – Was 39223021 & Photo At The End	
	22	16	Photo At The End Symbol Added	
		21	New Part Number – Was 39223021 & Photo At The End	
	24		New Drawing – Overlay Removed – (Overly Not Used in Ass's)	
		15	Photo At The End Symbol Added	
	26	21	New Part Number – Was 39223021 & Photo At The End	
38	7	New Part Number – Was 39223021		
39		New Photos		
11	12		New Drawing – Showing The New Bowl Assembly Style	Jul 29/05
	14	1A to 4B	Parts Updated With New Bowl Style	
	16,17 18,19	43	Assembly Case Part Number Added	
	40			
12	12		New Drawing	Sep 13/05
	14,40	1A	Part # 4520440 replaced by 95000033	
	14	4A, 4D	New Part Number	
13	12	1A	More Parts Included In the Kit – Drawing changed	Oct 31/05

NOTES

NOTES

 **GARLAND**[®]