



ED SERIES
Electric Designer

PARTS LIST

Toll Free Phone, (US & Canada): (800) 427-6668

Toll Free Fax, (US & Canada): (800) 361-7745

<http://www.garland-group.com>

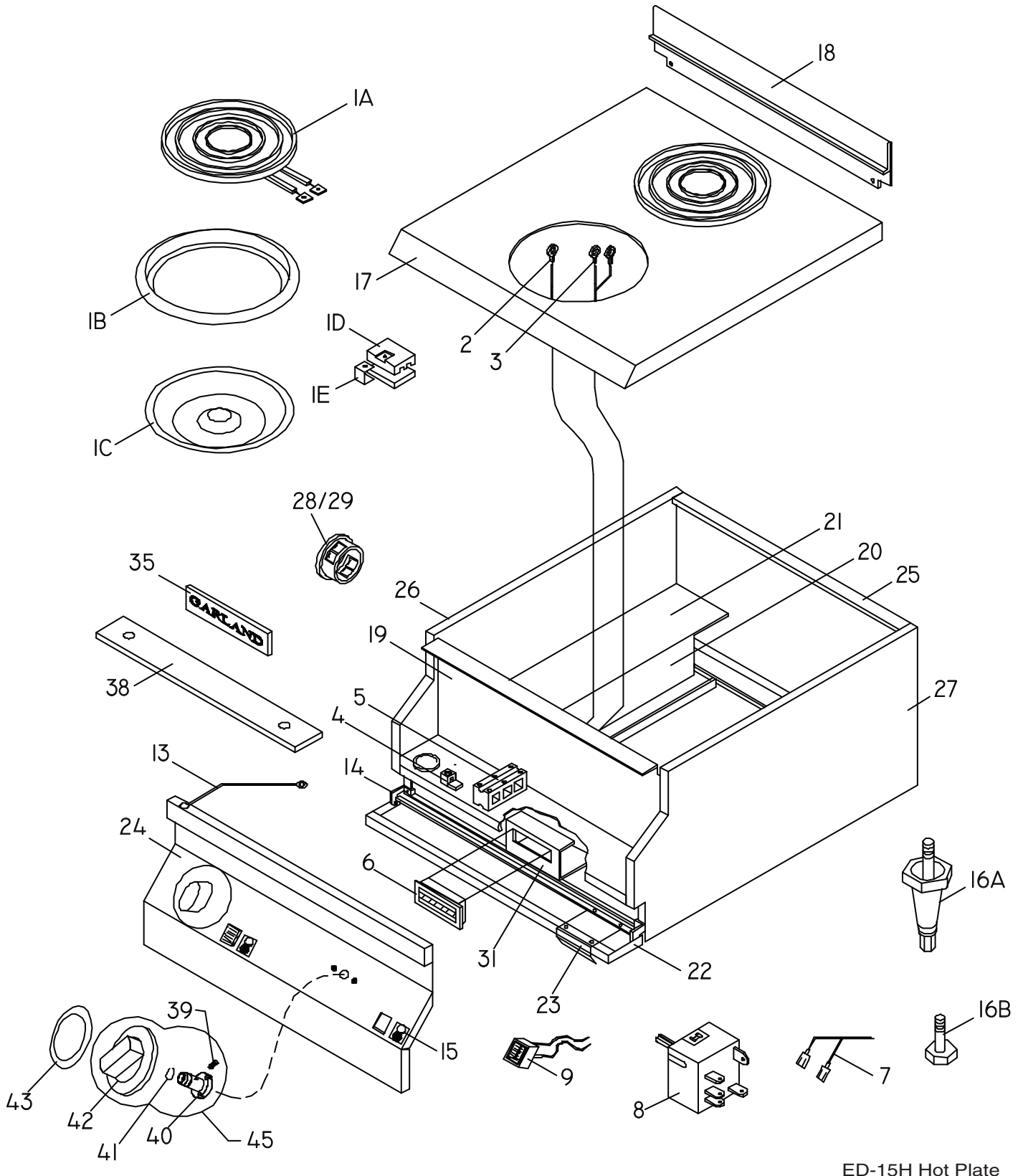


ED SERIES

Electric Designer

Contents:

Hot Plate ED-15H.....	Page 4
Hot Plates ED-15HSE, ED-15THSE & EDU-15HSE.....	Page 8
Griddles ED/EDU-15G, ED/EDU-24G, ED/EDU-36G.....	Page 12
Broiler ED/EDU-15B, ED/EDU-30B, ED/EDU-42B.....	Page 16
Food Warmer ED/EDU-15W/ED-15WP.....	Page 20
Electric Super Fryer ED-15SF, ED-30SFT, EDU-18-36SF.....	Page 24
Electric Fryer ED-15-30F, EDU-18-36FT.....	Page 30
Digital Photos.....	Page 35
Revision History.....	Page 36



ED-15H Hot Plate

GARLAND PARTS IDENTIFICATION

Hot Plate ED-15H

ITEM	PART #	DESCRIPTION	MODEL ED-15H	DATE	
			QTY	FROM	TO
1A	2195000	8" Surface Element 208V (2.1Kw)	2		
	2195001	8" Surface Element 240V (2.1Kw)	2		
	2195002	8" Surface Element 220V (2.1Kw)	2		
1B	2602399	8" Ring Assembly	2		
1C	2195300	8" Pan Reflector	2		
1D	2195800	Split Terminal Block (Small)	2		
1E	2627700	Terminal Block Clip	2		
2	2147703	Ground Wire	2		
3	2148100	Element Wire Harness	1		
4	G01500-1	Ground Terminal 55 Amp	1		
5	2147300	Terminal Block 3 Circuit	1		
	2147302	Terminal Block 3 Circuit Export	1		
6	078174-1	Magnetic Door Catch	1		
7	2148000	Primary Wires	1		
8	G03185-2	Infinite Switch-240 Volt	2		
9	2138504	Pilot Green (Neon Lamp Housing w/Green Lens)	2		
13	2147700	Ground Wire	1		
14	2149400	Door Hinge Right Hand	1		
	2149401	Door Hinge Left Hand	1		
15	2150000	Element Identification Plate	2		
16A	078109-2	4" Adjustable Metal Leg	4		
16B	F157	Leveling Bolt-3/8-16x1 1/16"	4		
16C*	G01503-10	Leg Weld Nut	4		
17	2132699	Main Top Assembly	1		
18	2168000	Back Splash to 12/07/95	1		07-Dec-95
	2385500	Back Splash from 12/07/95	1	07-Dec-95	
19	2132798	Control Shield Assembly	1		23-Feb-93
	2132799	Control Shield Assembly	1	23-Feb-93	04-Apr-94
	2351899	Control Shield Assembly	1	04-Apr-94	
20	2149600	Wireway	1		
21	2156500	Body Shield	1		
22	2149299	Door Assembly 15"	1		
23	2149300	Door Pull	1		
24	2137700	Control Panel	1		4-Apr-94
	2349600	Control Panel	1	4-Apr-94	
25	2180900	Body Back & Bottom	1		
	2180901	Body Back & Bottom S/S	1		
26	2180699	Body Side Assembly LH - Black (Code 9402CG0180)	1		21-Feb-94
	2180698	Body Side Assembly LH S/S (Code 9402CG0180)	1		21-Feb-94
	2349498	Body Side Assembly LH (Code 9402CG0181)	1	21-Feb-94	
	2349496	Body Side Assembly LH (Code 9402CG0181)	1	21-Feb-94	
27	2180599	Side Assembly RH - Black (Code 9402CG0180)	1		21-Feb-94
	2180598	Side - Right Assembly S/S (Code 9402CG0180)	1		21-Feb-94
	2349499	Body Side Assembly RH (Code 9402CG0181)	1	21-Feb-94	
	2349497	Body Side Assembly RH (Code 9402CG0181)	1	21-Feb-94	
28	G01487-8	Heyco Bushing 11/16 ID	1		
29	G01487-5	Heyco Bushing 1-5/16 ID	1		
30*	2174500	Joiner Tab	2		
31	2139600	Magnet Mounting Bracket to 5/07/91	1		7-May-91
	2183500	Magnet Bracket from 5/07/91	1	7-May-91	

* NOT ILLUSTRATED

RECOMMENDED STOCK PARTS

GARLAND PARTS IDENTIFICATION

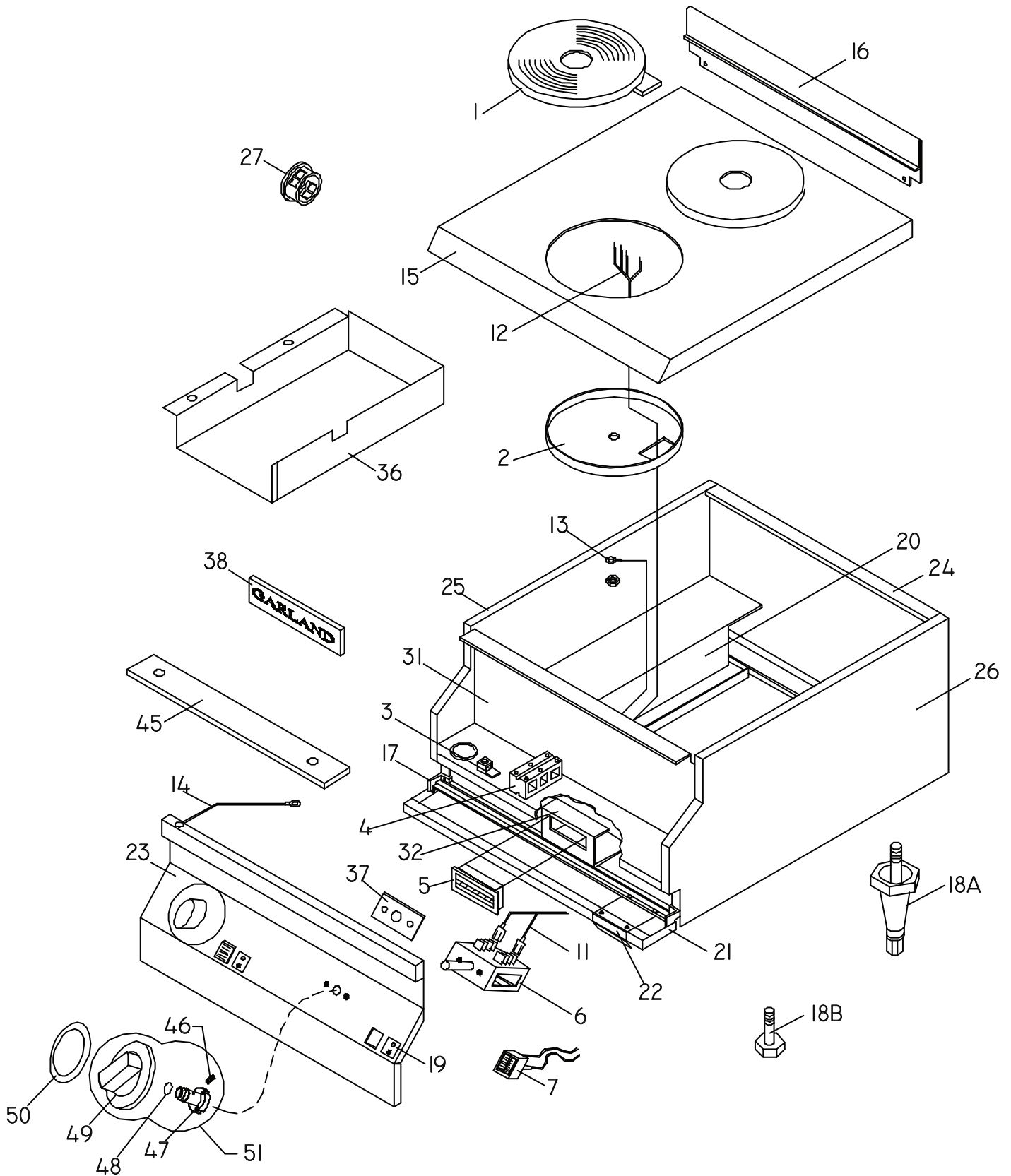
Hot Plate ED-15H

ITEM	PART #	DESCRIPTION	MODEL ED-15H	DATE	
			QTY	FROM	TO
32*	2149800	Access Panel	1		
33*	2171400	Terminal Block Mounting Bracket	1		
34*	2139700	Control Panel Clip	2		
35	3077101	Garland Nameplate 4 7/8"	1		
36*	2146100	Wiring Diagram (Domestic) Ed-15H 208V			
37*	2146200	Wiring Diagram (Export) Ed-15H 220V			
38	2285999	Leg Channel Assembly 15"	2		
39	F561	10-32 - 3/16 Socket Head Screw	2		
40	3043207	Knob Hub	2		
41	3043300	Retaining Spring	2		
42	3043100	Dial	2		
43	2139000	Dial Insert	2		
45	4512224	Dial Kit – Includes Items: 39, 40, 41, 42			

* NOT ILLUSTRATED

RECOMMENDED STOCK PARTS

NOTES



ED-15HSE Hot Plate

GARLAND PARTS IDENTIFICATION
Hot Plates ED-15HSE, ED15THSE & EDU-15HSE

ITEM	PART#	DESCRIPTION	MODEL			DATE	
			QUANTITY			FROM	TO
			ED-15HSE	ED-15THSE	EDU-15HSE		
1	2590200	<i>Sealed Element 208 Tim Hortons Only</i>		2			
	2590201	<i>Sealed Element 220 Tim Hortons Only</i>		2			
	2590202	<i>Sealed Element 240 Tim Hortons Only</i>		2			
	2147100	<i>Sealed Element 208</i>	2		2		
	2147101	<i>Sealed Element 220</i>	2		2		
	2147102	<i>Sealed Element 240</i>	2		2		
2	2147200	Screening Sheet 237mm	2		2		
	2147201	Screening Street 180mm Tim Hortons Only		2			
3	G01500-1	Ground Terminal 55 Amp	1	1	1		
4	2147300	<i>Terminal Block 3 Circuit</i>	1	1			
	2147302	<i>Terminal Block 3 Circuit Export</i>	1		1		
5	078174-1	<i>Magnetic Door Catch</i>	1	1	1		
6	2146900	<i>6 Heat Switch</i>	2	2	2		
7	2138504	<i>Pilot Green (Neon Lamp Housing w/Green Lens)</i>	2	2	2		
11	2147800	Primary Wires Harness	1	1	1		
12	2147900	Element Wires Harness	2	2	2		
13	2147702	Ground Wire Rear	2	2	2		
14	2147700	Ground Wire	1	1	1		
15	2147399	Main Top Assembly	1		1		
	2137298	Main Top Assembly Tom Hortons Only		1			
16	2168000	Back Splash	1		1		07-Dec-95
	2385500	Back Splash	1	1	1	07-Dec-95	
17	2149400	Door Hinge Right Hand	1	1	1		
	2139401	Door Hinge Left Hand	1	1	1		
18A	078109-2	4" Adjustable Metal Leg	4	4	4		
18B	F-157	Leveling Bolt-3/8-16x1-1/16"	4	4	4		
18C*	G01503-10	Leg Weld Nut	4	4	4		
19	2150000	Element Identification Plate	2	2	2		
20	2149600	Wireway	1	1	1		
21	2149299	Door Assembly 15"	1	1	1		
22	2149300	Door Pull	1	1	1		06-Mar-00
	2149301	Door Handle	1	1	1	06-Mar-00	
23	2137700	Control Panel	1				04-Apr-94
	2349600	Control Panel	1	1		04-Apr-94	
	9349602	Control Panel			1		
24	2180900	Body Back & Bottom	1	1	1		
	2180901	Body Back & Bottom S/S	1	1	1		
25	2180699	Body Side Assembly LH Black (Code 9402CG0180)	1	1			21-Feb-94
	2180698	Body Side Assembly LH S/S (Code 9402CG0180)	1	1			21-Feb-94
	2349498	Body Side Assembly LH (Code 9402CG0181)	1	1	1	21-Feb-94	
	2349496	Body Side Assembly LH (Code 9402CG0181)	1	1	1	21-Feb-94	

* NOT ILLUSTRATED

RECOMMENDED STOCK PARTS

GARLAND PARTS IDENTIFICATION

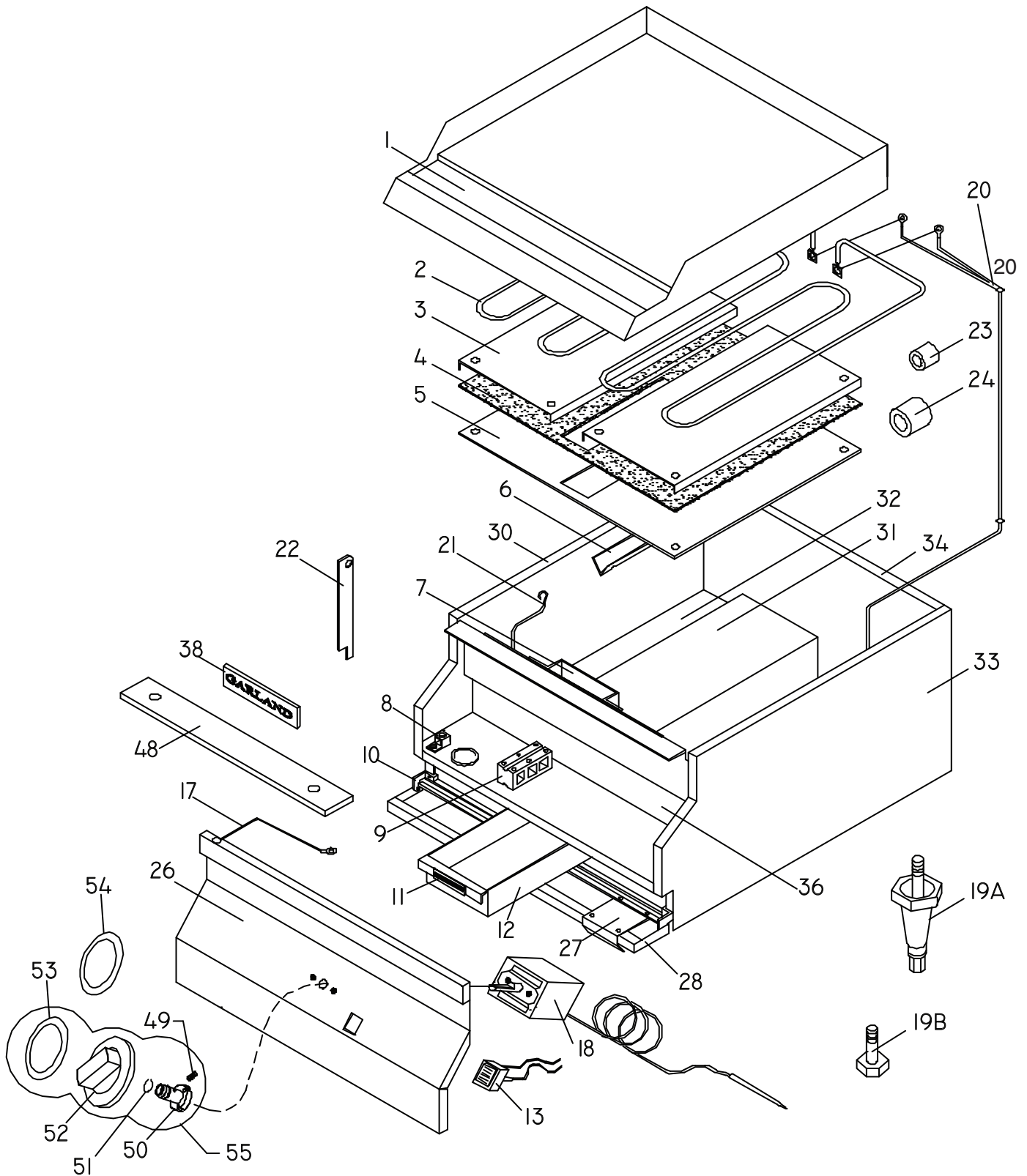
Hot Plates ED-15HSE, ED15THSE & EDU-15HSE

ITEM	PART#	DESCRIPTION	MODEL			DATE	
			QUANTITY			FROM	TO
			ED-15HSE	ED-15THSE	EDU-15HSE		
26	2180599	Side Assembly RH (Code 9402CG0180)	1	1			21-Feb-94
	2180598	Side - Right Assembly S/S (Code 9402CG0180)	1	1			21-Feb-94
	2394999	Body Side Assembly RH (Code 9402CG0181)	1	1	1	21-Feb-94	
	2349497	Body Side Assembly RH (Code 9402CG0181)	1	1	1	21-Feb-94	
27	G01487-8	Heyco Bushing 11/16 ID	1	1	1		
28*	G01487-5	Heyco Bushing 1-5/16 ID	1	1	1		
29*	2193700	Control Panel Clip	2	2	2		
30*	2174500	Joiner Tab	2	2	2		
31	2132799	Control Shield Assembly	1	1		23-Feb-93	04-Apr-94
	2351899	Control Shield Assembly	1	1	1	04-Apr-94	
32	2139600	Magnet Mounting Bracket	1	1	1		07-May-94
	2183500	Magnetic Bracket	1	1	1	07-May-94	
33*	2149800	Access Panel	1	1	1		
34*	2150200	Bottom Baffle	1	1	1		
35*	2171400	Terminal Black Mounting Bracket	1	1	1		
36	2608700	Wireway			1		
37	2618500	Switch Seal			2		
38	3077101	Garland Nameplate 4 7/8"	1	1	1		
39*	26186600	Side Seal			2		
40*	2618700	Front Seal			1		
41*	2146401	Wiring Diagram, EDU-15HSE-CE V			1		
42*	2146300	Wiring Diagram ED-15HSE 208DOM	1				
43*	2146400	Wiring Diagram ED-15HSE 220EXP	1				
44*	2146301	Wiring Diagram Tim Hortons Only		1			
45	2285999	Leg Channel Assembly 15"	2	2	2		
46	F561	10-32 – 3/16 Socket Head Screw	2	2	2		
47	3043207	Knob Hub	2	2	2		
48	3043300	Retaining Spring	2	2	2		
49	3043100	Dial	2	2	2		
50	2139000	Dial Insert	2	2	2		
51	4512224	Dial Kit – Includes Items: 46, 47, 48, 49					

* NOT ILLUSTRATED

RECOMMENDED STOCK PARTS

NOTES



ED-15,24,36G-Griddles

GARLAND PARTS IDENTIFICATION
Griddles ED/EDU-15G, ED/EDU-24G, ED/EDU-36G

ITEM	PART #	DESCRIPTION	MODEL			DATE	
			QUANTITY			FROM	TO
			ED/EDU-15G	ED/EDU-24G	ED/EDU-36G		
1	2142699	Griddle Assembly 15"	1				
	2220399	15" Grooved Griddle Assembly	1				
	2151097	Griddle Assembly 24"		1			
	2220499	24" Griddle Assy Fully Grooved		1			
	2220498	24" Griddle Assy 12" Grooved LT		1			
	2220497	24" Griddle Assy 12" Grooved RT		1			
	2151197	Griddle Assembly 36"			1		
	2220599	36" Griddle Assy Fully Grooved			1		
	2220597	36" Griddle Assy. 24" Grooved RT			1		
	2220598	36" Griddle Assy. 24" Grooved LT			1		
2220595	36" Griddle Ass'y 12" Grooved LT			1			
2220596	36" Griddle Ass'y 12" Grooved RT			1			
2	G01816-1	Element 208V, 3350W	1	2	3		
	G01816-2	Element 240V, 3350W	1	2	3		
	G01816-3	Element 220V, 3350W	1	2	3		
	G01816-4	Element 230 Volts EDU Models Only	1	2	3		
3	G01884-1-6	Element Clamp	2	4	6		
4	079113-1	Fibrefrax 970J 1/8"	1	2	3		
5	2142700	Element Cover	1	2	3		
6	G01891-1-6	Bulb Clamp	1	2	3		
7	2155499	Grease Chute Assembly	1	1	1		
8	G01500-1	Ground Terminal 55 Amp	1	1	1		
9	2147300	Terminal Block 3 Circuit	1	1	1		
	2147302	Terminal Block 3 Circuit Export	1	1	1		
	2147301	Terminal Block-4 Circuit	1	1	1		
10	2149400	Door Hinge Right Hand	1	1	1		
	2149401	Door Hinge Left Hand	1	1	1		
11	078174-1	Magnetic Door Catch	1	1	1		
12	2142800	Grease Tray	1	1	1		
13	2138500	Pilot Amber (Neon Lamp Housing w/AmberLens)	1	2	3		
17	2147700	Ground Wire	1	1	1		
18	G2674-1	Thermostat G1 150F TO 450F	1	2	3		
19A	078109-2	4" Adjustable Metal Leg	4	4	4		
19B	F157	Leveling Bolt-3/8-16x1 1/16"	4	4	4		
19C*	G01503-10	Leg Weld Nut	4	4	4		
20	2158900	Wire Harness	1				
	2158901	Wire Harness		1			
	2158902	Wire Harness			1		
21	H87	14 Ga Nickel Wire Bare 651ALOY	1	1	1		
22	G2402-3-5	Top Support Prop	1	1	1		
23	G01487-8	Heyco Bushing 11/16 ID	1	2	3		
24	G01487-5	Heyco Bushing 1-5/16 ID	1	1	1		
25*	2139700	Control Panel Clip	2	2	3		

* NOT ILLUSTRATED

RECOMMENDED STOCK PARTS

GARLAND PARTS IDENTIFICATION
Griddles ED/EDU-15G, ED/EDU-24G, ED/EDU-36G

ITEM	PART #	DESCRIPTION	MODEL			DATE	
			QUANTITY			FROM	TO
			ED/EDU-15G	ED/EDU-24G	ED/EDU-36G		
26	2137900	Control Panel	1				6-May-94
	2349700	Control Panel 15"	1			6-May-94	
	2138000	Control Panel		1			23-Feb-94
	2349800	Control Panel 24"		1		23-Feb-94	
	2138300	Control Panel			1		23-Feb-94
	2350100	Control Panel 36"			1	23-Feb-94	
27	2149300	Door Pull	1	1	1		
28	2149299	Door Assembly 15"	1				
	2149297	Door Assembly 24"		1			
	2149295	Door Assembly 36"			1		
29*	2372800	Body Side Stiffener	2	2	2		
30	2180699	Body Side Assy LH Black (Code 9402CG0180)	1	1	1		
	2180698	Body Side Assy LH S/S (Code 9402CG0180)	1	1	1		
	2349498	Body Side Assembly LH (Code 9402CG0181)	1	1	1		
	2349496	Body Side Assembly LH (Code 9402CG0181)	1	1	1		
31	2156300	Tray Cover	1	1	1		
32	2149600	Wireway	1	1	1		
33	2180599	Side Assembly RH (Code 9402CG0180)	1	1	1		
	2180598	Side - Right Assembly S/S (Code 9402CG0180)	1	1	1		
	2349499	Body Side Assembly RH (Code 9402CG0181)	1	1	1		
	2349497	Body Side Assembly RH (Code 9402CG0181)	1	1	1		
34	2180900	Body Back & Bottom	1				
	2180901	Body Back & Bottom S/S	1				
	2181100	Body Back & Bottom (24G)		1			
	2181101	Body Back & Bottom S/S		1			
	2181400	Body Back & Bottom (36G)			1		
	2181401	Body Back & Bottom S/S			1		
35*	2155700	Grease Tray Slide	2	2	2		
36	2156199	Control Shield Assembly	1				3-Mar-94
	2352299	Control Shield Assembly	1			3-Mar-94	
	2156999	Control Shield Assembly		1			23-Feb-94
	2352499	Control Shield Assembly		1		23-Feb-94	
	2156699	Control Shield Assembly			1		23-Feb-94
	2352399	Control Shield Assembly			1	23-Feb-94	
37*	2174500	Joiner Tab	2	2	2		
38	3077101	Garland Nameplate 4 7/8"	1	1	1		
39*	2144500	Wiring Diagram					
40*	2144600	Wiring Diagram					
41*	2144601	Wiring Diagram, EDU-15G-CE VER.					
42*	2144700	Wiring Diagram					
43*	2144800	Wiring Diagram					
44*	2144801	Wiring Diagram, EDU-24G-CE VER					
45*	2144900	Wiring Diagram					
46*	2145000	Wiring Diagram					
47*	2145001	Wiring Diagram, EDU-36G-CE VER					

* NOT ILLUSTRATED

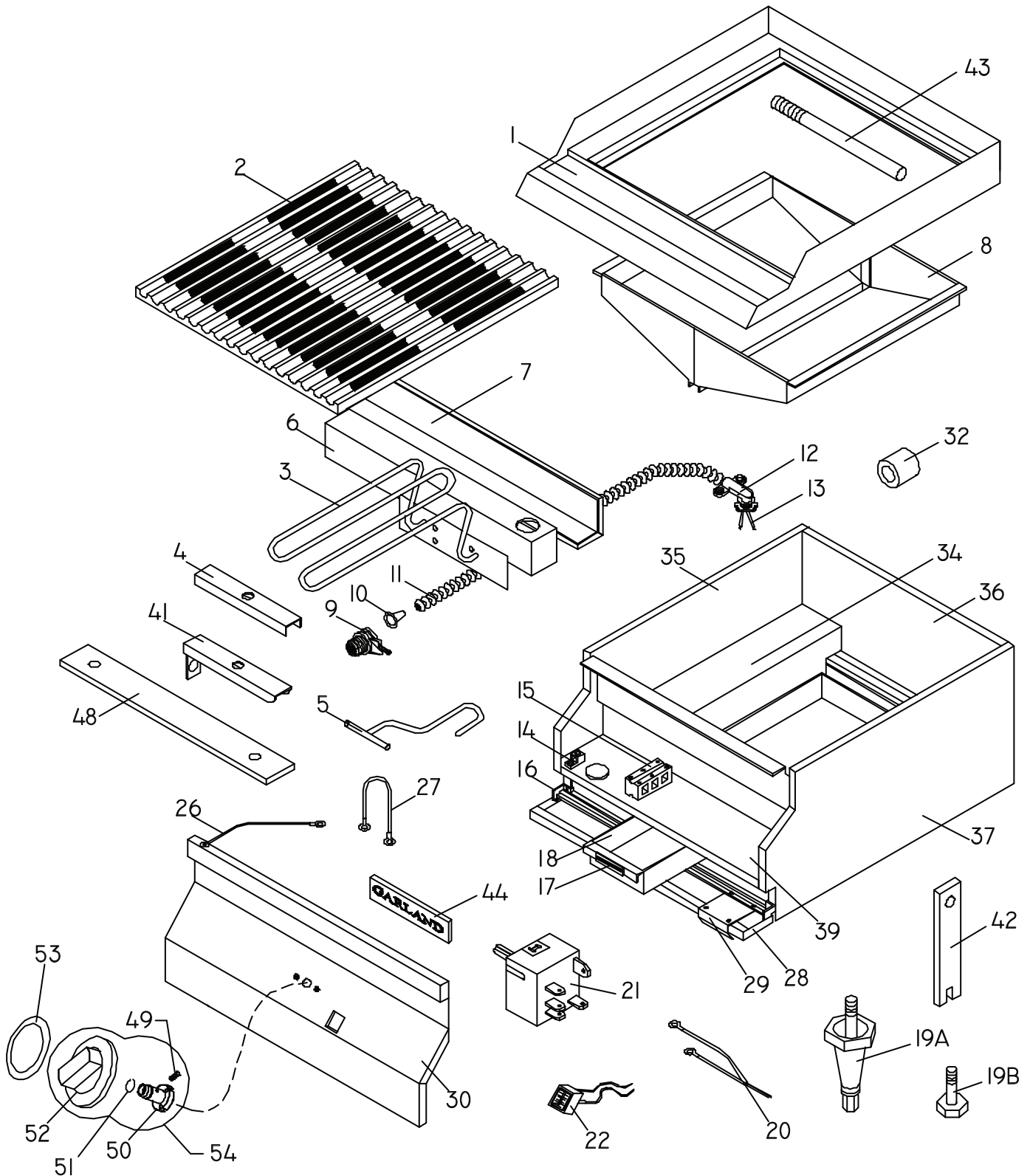
RECOMMENDED STOCK PARTS

GARLAND PARTS IDENTIFICATION
Griddles ED/EDU-15G, ED/EDU-24G, ED/EDU-36G

ITEM	PART #	DESCRIPTION	MODEL			DATE	
			QUANTITY			FROM	TO
			ED/EDU-15G	ED/EDU-24G	ED/EDU-36G		
48	2285999	Leg Channel Assembly 15"	2				
	2285997	Leg Channel Assembly 24"		2			
	2285995	Leg Channel Assembly 36"			2		
49	F561	10-32 – 3/16 Socket Head Screw	1	2	3		
50	3043207	Knob Hub	1	2	3		
51	3043300	Retaining Spring	1	2	3		
52	3043100	Dial	1	2	3		
53	2138800	Dial Insert Degrees F	1	2	3		
54	2138801	Dial Insert Degrees C	1	2	3		
55	4512111	Dial Kit – Includes Items: 49, 50, 51, 52, 53					

* NOT ILLUSTRATED

RECOMMENDED STOCK PARTS



GARLAND PARTS IDENTIFICATION
Broiler ED/EDU-15B, ED/EDU-30B, ED/EDU-42B

ITEM	PART #	DESCRIPTION	MODEL			DATE	
			QUANTITY			FROM	TO
			ED/EDU-15B	ED/EDU-30B	ED/EDU-42B		
1	2134899	Main Top Assembly	1				
	2161499	Main Top Assembly		1			
	2165399	Main Top Assembly			1		
2	G0844-1	Broiler Grate	1	2	3		
3	G0875-2	Element Broiler 208V, 1.35KW	2	4	6		
	G0875-1	Element Broiler 240V, 1.35KW	2	4	6		
	G0875-4	Element Broiler 220V, 1.35KW	2	4	6		
	G0875-5	Element Assy, 230V, 1350W EDU Models Only	2	4	6		
4	G0857-1-9	Element Clamp	5	10	15		
5	2135799	Grate Handle Assembly	1	1	1		
6	2135400	Element Terminal Box	1	2	3		
7	2135500	Element Terminal Box Cover	1	2	3		
8	2159499	Grease Collector Assembly	1				
	2162199	Grease Collector Assembly		1			
	2165899	Grease Collector Assembly			1		
9	G01497-1	Bx Connector Straight 3/8"	1	2	3		
10	1029600	Antishots # 1	2	4	6		
11	1029400	BX Cable 3/8"	1	2	3		
12	1028500	Connector 3/8" 90 DEG. Romex	1	2	3		
13	2159100	Element Wires	1	2	3		
14	G01500-1	Ground Terminal 55 Amp	1	1	1		
15	2147300	Terminal Block 3 Circuit	1	1	1		
	2147302	Terminal Block 3 Circuit Export	1	1			
	2147301	Terminal Block 4 Circuit			1		
16	2149400	Door Hinge Right Hand	1	1	1		
	2149401	Door Hinge Left Hand	1	1	1		
17	078174-1	Magnetic Door Catch	1	1	1		
18	2142800	Grease Tray	1	1			
	2222900	Grease Tray			1		
19A	078109-2	4" Adjustable Metal Leg	4	4	4		
19B	F157	Bolt-3/8-16x1 1/16"	4	4	4		
19C*	G01503-10	Leg Weld Nut	4	4	4		
20	2159000	Primary Wires	1				
	2159001	Primary Wires		1			
	2159002	Primary Wires			1		
21	G03185-2	Infinite Switch-240 Volt	1	2	3		
22	2138504	Pilot Green (Neon Lamp Housing w/Green Lens)	1	2	3		
26	2147700	Ground Wire	1	1	1		
27	2159101	Element Wires	2	4	6		
28	2149299	Door Assembly 15"	1				
	2149296	Door Assembly 30"		1			
	2149289	Door Assembly 42"			1		
29	2149300	Door Pull	1	1	1		

* NOT ILLUSTRATED
RECOMMENDED STOCK PARTS

GARLAND PARTS IDENTIFICATION
Broiler ED/EDU-15B, ED/EDU-30B, ED/EDU-42B

ITEM	PART #	DESCRIPTION	MODEL			DATE	
			QUANTITY			FROM	TO
			ED/EDU-15B	ED/EDU-30B	ED/EDU-42B		
30	2137900	Control Panel	1				6-May-94
	2349700	Control 15"	1			6-May-94	
	2138100	Control Panel		1			4-Apr-94
	2349900	Control Panel 30"		1		4-Apr-94	
	2139400	Control Panel			1		28-Mar-94
	2350200	Control Panel 42"			1	28-Mar-94	
31*	2139700	Control Panel Clip	2	2	3		
32	G01487-5	Heyco Bushing 1-5/16 ID	1	1	1		
33*	2155700	Grease Tray Slide	2	2	2		
34	2149600	Wireway	1	1	1		
35	2180699	Body Side Assy LH - Black (Code 9402CG0180)	1	1	1		
	2180698	Body Side Assy LH S/S (Code 9402CG0180)	1	1	1		
	2349498	Body Side Assembly LH (Code 9402CG0181)	1	1	1		
	2349496	Body Side Assembly LH (Code 9402CG0181)	1	1	1		
36	2181000	Body Back & Bottom	1				
	2181001	Body Back & Bottom S/S	1				
	2181200	Body Back & Bottom (30B)		1			
	2181201	Body Back & Bottom S/S		1			
	2181500	Body Back & Bottom (42B)			1		
	2181501	Body Back & Bottom S/S			1		
37	2180599	Side Assembly RH (Code 9402CG0180)	1	1	1		
	2180598	Side -Right Assembly S/S (Code 9402CG0180)	1	1	1		
	2349499	Body Side Assembly RH (Code 9402CG0181)	1	1	1		
	2349497	Body Side Assembly RH (Code 9402CG0181)	1	1	1		
38*	22174500	Joiner Tab	2	2	2		
39	2135199	Control Shield Assembly	1				3-Mar-94
	2352199	Control Shield Assembly	1			3-Mar-94	
	2161699	Control Shield Assembly		1			4-Apr-94
	2352699	Control Shield Assembly		1		4-Apr-94	
	2165299	Control Shield Assembly			1		3-Mar-94
	2352799	Control Shield Assembly			1	3-Mar-94	
40*	2135600	Shield	1	2	3		
41	242600	Prop Hanger	1	2	3		
42	2436100	Prop	1	2	3		
43	2159800	Grate Stop	1	2	3		
44	3077101	Garland Nameplate 4 7/8"	1	1	1		
45*	2145100	Wiring Diagram ED-15B-Domestic					
	2145200	Wiring Diagram ED-15B-Exp					
	2145201	Wiring Diagram -EDU-15B-CE VER.					
46*	2155300	Wiring Diagram ED-30B-Domestic					
	2145400	Wiring Diagram ED-30B-Exp.					
	2145401	Wiring Diagram -EDU-30B-CE VER.					
47*	2145500	Wiring Diagram ED-42B-Domestic					
	2145600	Wiring Diagram ED-42B-Exp.					
	2145601	Wiring Diagram EDU-42B-CE VER.					

* NOT ILLUSTRATED

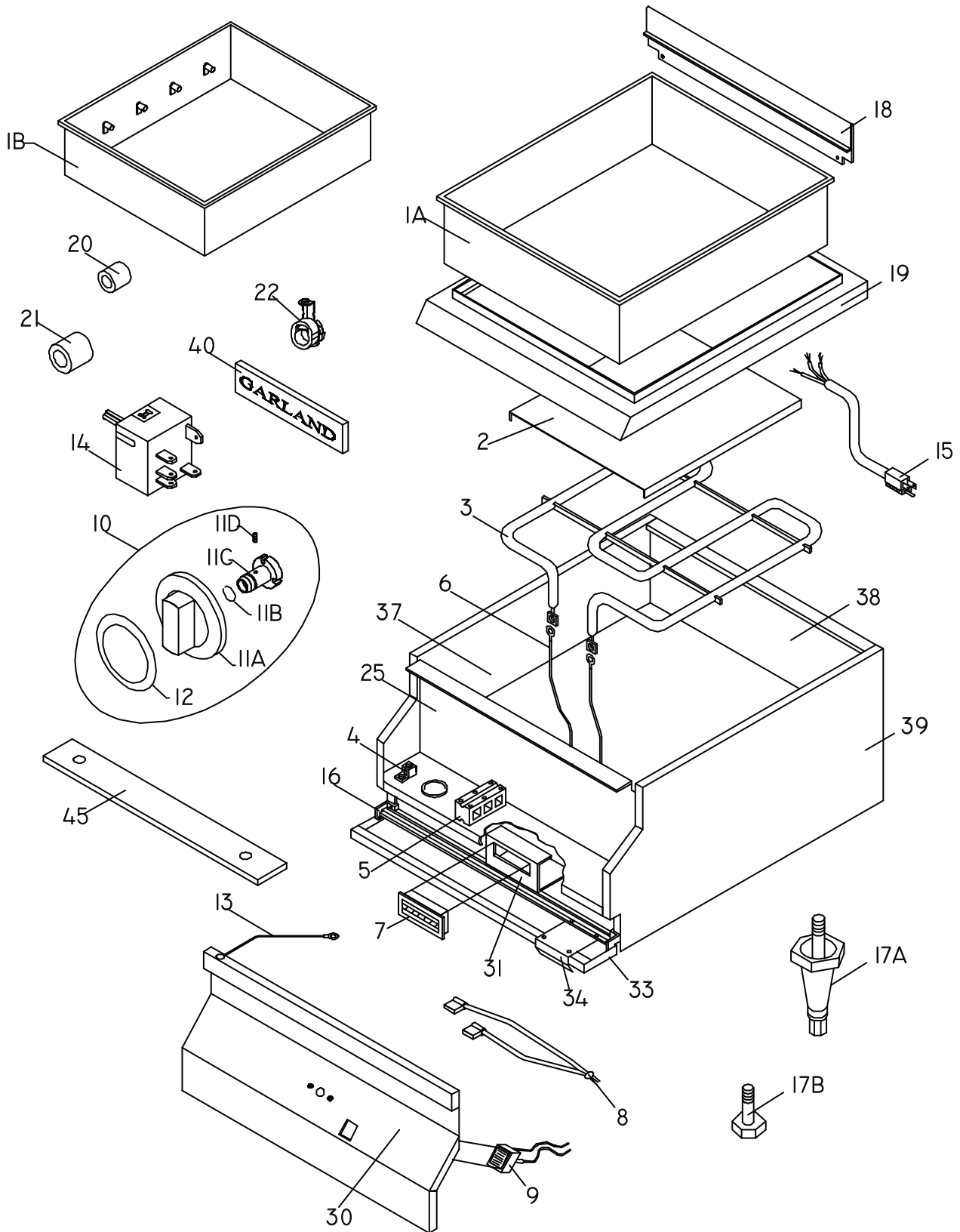
RECOMMENDED STOCK PARTS

GARLAND PARTS IDENTIFICATION
Broiler ED/EDU-15B, ED/EDU-30B, ED/EDU-42B

ITEM	PART #	DESCRIPTION	MODEL			DATE	
			QUANTITY			FROM	TO
			ED/EDU-15B	ED/EDU-30B	ED/EDU-42B		
48	2285999	Leg Channel Assembly 15"	2				
	2285996	Leg Channel Assembly 30"		2			
	2285994	Leg Channel Assembly 42"			2		
49	F561	10-32 – 3/16 Socket Head Screw	2	2	2		
50	3043207	Knob Hub	2	2	2		
51	3043300	Retaining Spring	2	2	2		
52	3043100	Dial	2	2	2		
53	2139000	Dial Insert	2	2	2		
54	4512224	Dial Kit – Includes Items: 49, 50, 51, 52					

* NOT ILLUSTRATED

RECOMMENDED STOCK PARTS



ED-15-W,P Food Warmer

GARLAND PARTS IDENTIFICATION

Food Warmer ED/EDU-15W, ED-15WP

ED Series

ITEM	PART #	DESCRIPTION	MODEL QTY		DATE	
			ED/EDU-15W	ED-15WP	FROM	TO
1A	2186100	Food Warmer Tank	1	1		
1B	2186199	Food Well With Pan Stop (Tim Hortons Only)		1		
2	2156400	Element Plate	1	1		
3	G0569-1	Element 120V, 1KW		1		
	G0569-2	Element 208V, 1KW	1			
	G0569-3	Element 240V, 1KW	1			
	G0569-5	Element 230V, 1.1KW EDU Models Only	1			
4	G01500-1	Ground Terminal 55 Amp	1	1		
5	2147300	Terminal Block 3 Circuit	1	1		
	2147302	Terminal Block 3 Circuit Export				
6	2148300	Element Wires	1	1		
7	078174-1	Magnetic Door Catch	1	1		
8	2148200	Primary Wires		1		
	2148201	Primary Wires	1			
9	2138504	Pilot Green (Neon Lamp Housing w/Green Lens)	1	1		
10	4512115	Knob Kit 2138700,2139000 Include Items # 11A, 11B, 11C, 11D & 12	1	1		
11A	3043100	Dial	1	1		
11B	3043300	Retaining Spring	1	1		
11C	3043207	Knob Hub	1	1		
11D	F561	10-32 – 3/16 Socket Head Screw	1	1		
12	2139000	Dial Insert	1	1		
13	2147700	Ground Wire	1	1		
14	G03185-1	Infinite Switch-120 Volt		1		
	G03185-2	Infinite Switch-240 Volt	1			
15	G2840-1	Cord & Plug-Set 3/14 Wire 15A		1		
16	2149400	Door Hinge Right Hand	1	1		
	2149401	Door Hinge Left Hand	1	1		
17A	078109-2	4" Adjustable Metal Leg	4	4		
17B	F157	Leveling Bolt-3/8-16x1 1/16"	4	4		
17C*	G01503-10	Leg Weld Nut	4	4		
18	2168000	Back Splash to 12/07/95	1	1		
	2385500	Back Splash from 12/07/95	1	1		
19	2133700	Main Top	1	1		
20	G01487-8	Heyco Bushing 11/16 ID	1	1		
21	G01487-5	Heyco Bushing 1-5/16 ID	1	1		
22	G01497-1	Bx Connector Straight 3/8"	1	1		
23*	G0577-1-6	Element Baffle Pan	1	1		
24*	1472205	Insulation 17 x 12 x 1	1	1		
25	2133899	Control Shield Assembly	1	1		18-Aug-94
	2352099	Control Shield Assembly	1	1	18-Aug-94	
26*	079113-1	Fibrefrax 970J 1/8"	1	1		
27*	2133999	Element Tray Assembly	1	1		
28*	2134000	Side Liner	2	2		
29*	2134500	Front Liner	1	1		

* NOT ILLUSTRATED

RECOMMENDED STOCK PARTS

GARLAND PARTS IDENTIFICATION

Food Warmer ED/EDU-15W, ED-15WP

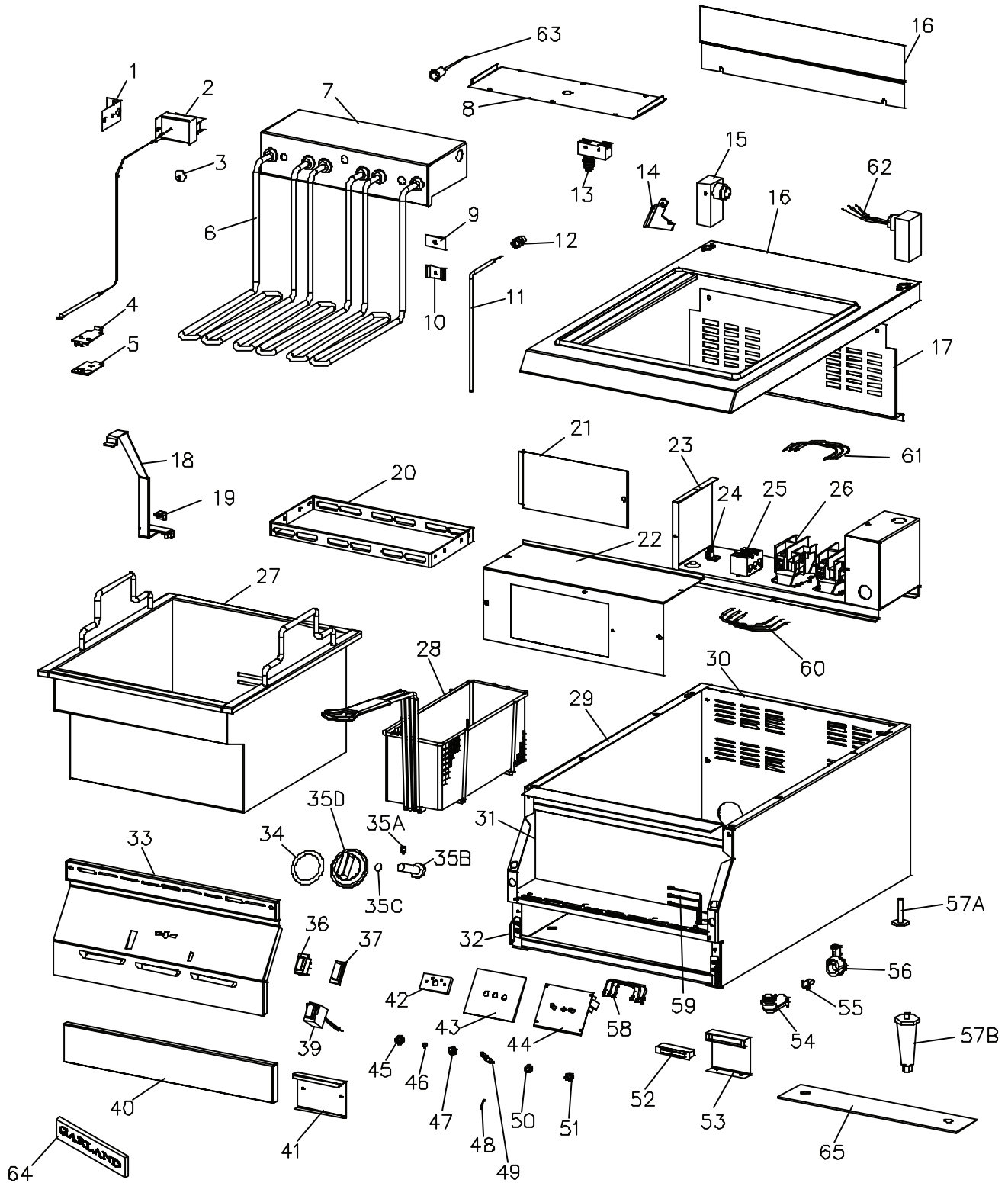
ED Series

ITEM	PART #	DESCRIPTION	MODEL		DATE	
			QTY		FROM	TO
			ED/EDU-15W	ED-15WP		
30	2137900	Control Panel	1	1		6-May-94
	2349700	Control Panel 15"	1	1	6-May-94	
31	2139600	Magnet Mounting Bracket	1	1		7-May-94
	2183500	Magnet Bracket	1	1	7-May-94	
32*	2139700	Control Panel Clip	2	2		
33	2149299	Door Assembly 15"	1	1		
34	2149300	Door Pull	1	1		
35*	2149600	Wireway	1	1		
36*	2174500	Joiner Tab	2	2		
37	2180699	Side Assembly LH - Black (Code 9402CG0180)	1	1		
	2180698	Side - Left Assembly S/S (Code 9402CG0180)	1	1		
	2349498	Body Side Assembly LH (Code 9402CG0181)	1	1		
	2349496	Body Side Assembly LH (Code 9402CG0181)	1	1		
38	2181000	Body Back & Bottom	1	1		
	2181001	Body Back & Bottom S/S	1	1		
39	2180599	Side Assembly RH (Code 9402CG0180)	1	1		
	2180598	Side - Right Assembly S/S (Code 9402CG0180)	1	1		
	2349499	Body Side Assembly RH (Code 9402CG0181)	1	1		
	2349497	Body Side Assembly RH (Code 9402CG0181)	1	1		
40	3077101	Garland Nameplate 4 7/8"	1	1		
41*	2146500	Wiring Diagram Domestic ED-15W				
42*	2146600	Wiring Diagram Export ED-15W				
43*	2146601	Wiring Diagram EDU-15W CE VER.				
44*	2146700	Wiring Diagram ED-15WP				
45	2285999	Leg Channel Assembly 15"	2	2		

* NOT ILLUSTRATED

RECOMMENDED STOCK PARTS

NOTES



GARLAND PARTS IDENTIFICATION
Electric Super Fryer ED-15SF, ED-30SFT, EDU-18-36SF

ITEM	PART#	DESCRIPTION	MODEL			
			QUANTITY			
			ED-15SF	ED-30SFT	EDU-18SF	EDU-36SF
1	2158300	Hi-Limit Mounting Bracket	1	2	1	2
2	2147600	Hi Limit 430 Degrees F	1	2	1	2
3	G1155-1	Black PVC Grommet #315-463	1	2	1	2
4	2160700	Bulb Clamp Top	1	2	1	2
5	2160899	Bulb Clamp Bottom Assembly	1	2	1	2
6	2147500	Super Fryer Element 208 Volt	2	6		
	2147501	Super Fryer Element 220 Volt	3	6		
	2147502	Supper Fryer Element 230 Volts	3	6	3	6
	2147503	Super Fryer Element 230 Volts EDU Model Only			3	6
7	2158499	Termination Box Assembly	1	2	1	2
8	2158500	Termination Box cover	1	2		
	2158501	Termination Box Cover CE			1	2
9	2160499	Clamp Back Assembly	1	2	1	2
10	2160300	Rtd Clamp	1	2	1	2
11	2147000	Rtd Sensor-Fryer	1	2	1	2
12	2147400	Liquid-Tite Fitting #3444	1	2	1	2
13	2398600	Switch W/Sealing Cap X01-E1G6			1	2
14	2385400	Termination Box Support	1	2	1	2
15	2157398	End Post Assembly	2	4	2	4
16	2384999	Main Top Assembly	1			
	2385199	Main Top Assembly		1		
	2384998	Main Top Assembly			1	
	2385198	Main Top Assembly				1
17	2157800	Rear Shield	1			
	2157801	Rear Shield		1		
	2157802	Rear Shield			1	
	2157803	Rear Shield				1
18	2160598	Element Lifting Handle	1	2	1	2
19	F141	Clam-Tube Tinnerman Use GF141	2	4	2	4
20	2158699	Element Clamp Assembly	1	2	1	2
21	2176000	Inspection Cover	1	1	1	1
22	2157900	Contacto Box Cover	1			
	2157700	Contacto Box Cover		1		
	2157901	Contacto Box Cover			1	
	2157701	Contacto Box Cover				1
23	2158100	Contacto Box	1			
	2158000	Contacto Box		1		
	2158101	Contacto Box			1	
	2158001	Contacto Box				1
24	G01500-1	Ground Terminal 55 Amp	1		1	
	G01499-1	Ground Terminal 105A Large SLU-70		1		1
25	2147300	Terminal Block 3 Circuit	1		1	
	G01268-1	Terminal Block #824 Export N.L.A.		3		
	G01268-1	Terminal Block # 824 Export N.L.A.		4		
	G01268-2	Terminal Block # 830 N.L.A.		1		

* NOT ILLUSTRATED

^ PHOTO AT END

RECOMMENDED STOCK PARTS

GARLAND PARTS IDENTIFICATION
Electric Super Fryer ED-15SF, ED-30SFT, EDU-18-36SF

ITEM	PART#	DESCRIPTION	MODEL			
			QUANTITY			
			ED-15SF	ED-30SFT	EDU-18SF	EDU-36SF
25 Cont	G01280-3-7	Terminal Block Channel 3 LUG Domestic N.L.A.		1		
	G01280-4-7	Terminal Block Channel 4 LUG Export N.L.A.		1		
	2694800	Export Terminal Block (5)				1
26	077962-1	Contactora 3 Pole 208/240 VAC Coil	2	4	2	4
27	2133599	Fry-Tank Assembly	1	2	1	2
28	G02700-3	Fryer Basket Twin RH	1	2	1	2
	G02700-4	Fryer Basket Twin LH	1	2	1	2
	G02701-2	Fryer Basket Single	Optional			
29	2180699	Body Side Assembly LH - Black (Code 9402CG0180)	1	1	1	1
	2180698	Body Side Assembly LH S/S (Code 9402CG0180)	1	1	1	1
	2180599	Side Assembly RH (Code 9402CG0180)	1	1	1	1
	2180598	Side - Right Assembly S/S (Code 9402CG0180)	1	1	1	1
	2349499	Body Side Assembly RH (Code 9402CG0181)	1	1	1	1
	2349498	Body Side Assembly LH (Code 9402CG0181)	1	1	1	1
	2349497	Body Side Assembly RH (Code 9402CG0181)	1	1	1	1
	2349496	Body Side Assembly LH (Code 9402CG0181)	1	1	1	1
30	2180899	Body Back & Bottom Assy (15F)	1			
	2180898	Body Back & Bottom S/S	1			
	2181399	Body Back & Bottom Assy (30FT)		1		
	2182398	Body Back & Bottom S/S		1		
	2180897	Body Back & Bottom Assembly 18" W.C.			1	
	2180896	Body Back & Bottom Assembly S/S			1	
	2181397	Back and Bottom Assembly				1
	2181396	Back and Bottom Assembly				1
31	2351900	Control Shield	1			
	2352500	Control Shield		1		
	2351902`	Control Shield			1	
	2352502	Control Shield				1
32	2149400	Door Hinge Right Hand	1	1	1	1
	2149401	Door Hinge Left Hand	1	1	1	1
33	2349500	Control Panel	1			
	2350000	Control Panel		1		
	2349501	Control Panel			1	
	2350001	Control Panel				1
34	2138900	Dial Insert F/ED-15F, 30F (F) 200-375	1	2	1	2
	2138901	Dial Insert F/ED-15FE, 30FE (C) 95-192	1	2	1	2
35A	F561	10-32 – 3/16 Socket Head Screw	1	2	1	2
35B	3043207	Knob Hub	1	2	1	2
35C	3043300	Retaining Spring	1	2	1	2
35D	3043100	Dial	1	2	1	2
35E	4512224	Dial Kit – Includes Items: 35A, 35B, 35C, 35D				
36^	2146800	Illuminated Power Switch	1	2	1	2
37^	3011400	PVC Clear Cap c/w Black Bezel			1	2

* NOT ILLUSTRATED

^ PHOTO AT END

RECOMMENDED STOCK PARTS

GARLAND PARTS IDENTIFICATION
Electric Super Fryer ED-15SF, ED-30SFT, EDU-18-36SF

ITEM	PART#	DESCRIPTION	MODEL			
			QUANTITY			
			ED-15SF	ED-30SFT	EDU-18SF	EDU-36SF
39	2138500	Pilot Amber (Neon Lamp Housing w/Amber Lens)	1	2	1	2
40	2149299	Door Assembly 15"	1			
	2149296	Door Assembly 30"		1		
	2149298	Door Assembly 18"			1	
	2149295	Door Assembly 36"				1
41	2149300	Door Pull	1	1	1	1
42	2491500	Stop Plate Assembly	1	2	1	2
43	2159300	Insulator - Thermostat	1	2	1	2
44	2142000	Electronic Thermostat 200-375 F	1	2	1	2
45	2358200	Shaft Seal N9030 x 1/4	1	2	1	2
46	2382800	Shaft Retaining Spring	1	2	1	2
47	2167300	Panel Bearing Assembly	1	2	1	2
48	2167000	Spring Tension Pin	1	2	1	2
49	2166800	Potentiometer Shaft	1	2	1	2
50	2167100	Bowed Spring Washer	1	2	1	2
51	2167200	Retaining Ring	1	2	1	2
52	078174-1	Magnetic Door Catch	1	1	1	1
53	2139600	Magnet Mounting Bracket To 5/07/91	1	1	1	1
	2183500	Magnet Bracket From 5/07/91	1	1	1	1
54	1028500	Connector 3/8" 90 Deg. Romex	1	2	1	2
55	1029600	Antishorts # 1	2	4	2	4
56	G01497-1	Bx Connector Straight 3/8"	1	2	1	2
57A	F157	Leveling Bolt-3/8-16x1 1/16"	4	4	4	4
57B	078109-2	Metal Leg (Optional)	4	4	4	4
57C*	G01503-10	Leg Weld Nut	4	4	4	4
58	2169200	Panel Control Wire F/FED 15F, 30F	1	2	1	2
59	2169100	Contactora Control Wire F/ED-15F	1			
	2170500	Contactora Control Wire F/ED-30F		1		
	2169101	Control Wires - Contactor			1	
	2170501	Control Wires - Contactor				1
60	2168800	Contactora Jumper F/ED-15F-30F Export	1	2	1	
	2168801	Contactora Jumper				2
	2169900	Contactora Jumper F/ED-30F Domestic		1		
61	2168700	Contactora Wire F/ED-15F Domestic	1			
	2168701	Contactora Wire F/ED-15F Export	1		1	
	2169900	Contactora Wire F/ED-30F Domestic		1		
	2169901	Contactora Wires F/ED-30F Export		1		1

* NOT ILLUSTRATED

^ PHOTO AT END

RECOMMENDED STOCK PARTS

GARLAND PARTS IDENTIFICATION
Electric Super Fryer ED-15SF, ED-30SFT, EDU-18-36SF

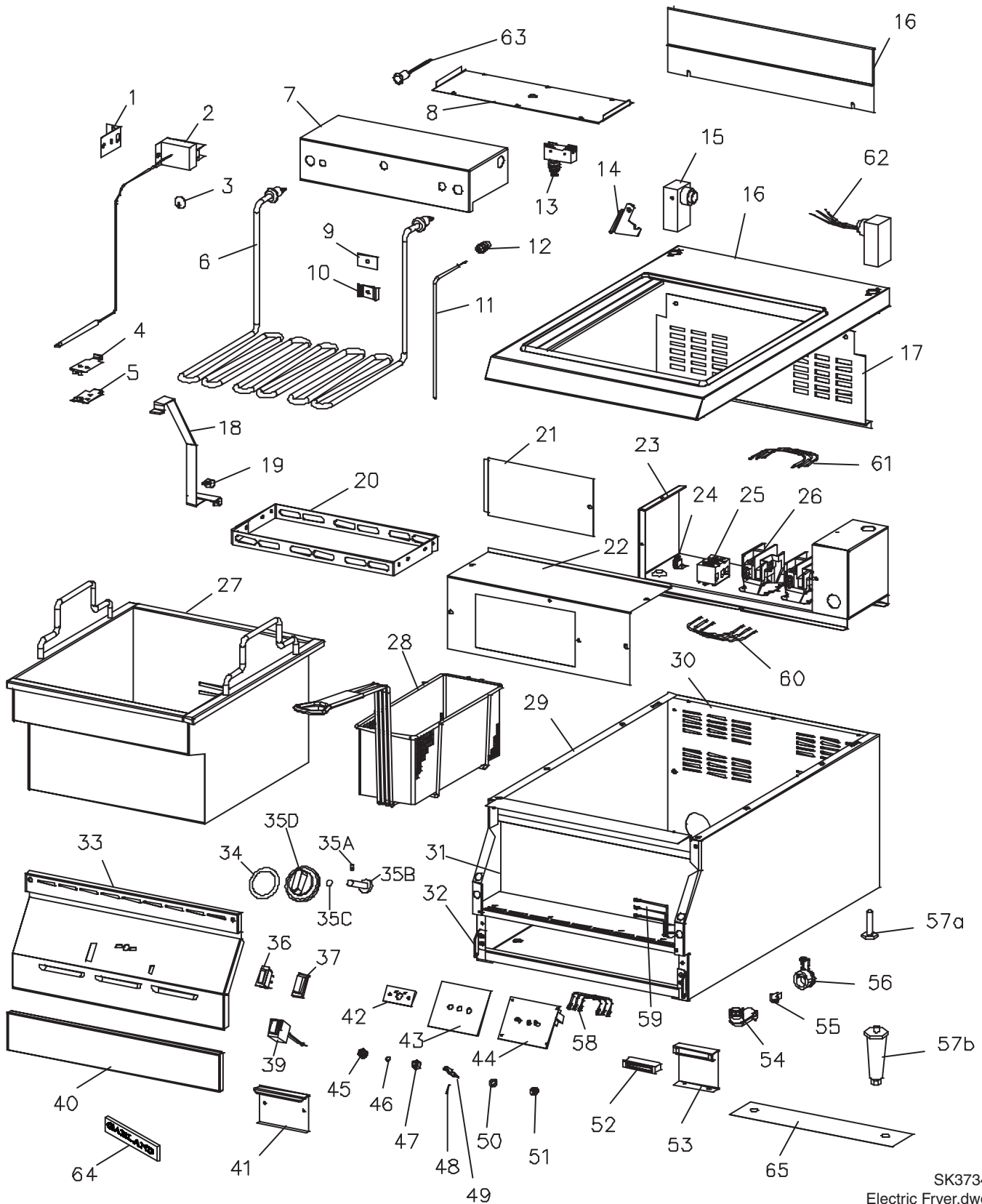
ITEM	PART#	DESCRIPTION	MODEL			
			QUANTITY			
			ED-15SF	ED-30SFT	EDU-18SF	EDU-36SF
62	2168900	Left End Post Wire F/ED-15F Domestic	1			
	2168901	Left End Post Wire F/ED-15F Export	1			
	2168902	Left End Post Wires Harness			1	
	2169000	Right End Post Wire F/ED-15F Domestic	1			
	2169001	Right End Post Wire F/ED-15F Export	1		1	
	2170100	LF Left End Post Wire F/ED-30F Domestic		1		
	2170101	LF Left End Post Wire EXPED30F Export		1		
	2170102	LF Left End Post Wires Harness				1
	2170200	LF Right End Post Wire F/ED30F Domestic		1		
	2170201	LF Right End Post Wire F/ED30F Export		1		1
	2170300	RF Left End Post Wire F/ED-30F Domestic		1		
	2170301	RF Left End Post Wire F/ED-30F Export		1		
	2170302	RF Left End Post Wire Harness				1
	2170400	RF Right End Post Wire F/ED30F Domestic		1		
2170401	Right End Post Wire F/ED30F Export		1		1	
63	G01296-1	Pilot Red 240V			1	1
64	3077101	Garland Nameplate 4 7/8"	1	1	1	1
65	2285999	Leg Channel Assembly 15"	2			
	2285998	Leg Channel Assembly 18"			2	
	2285996	Leg Channel Assembly 30"		2		
	2285995	Leg Channel Assembly 36"				2
66*	2145700	Wiring Diagram	ED-15SF-DOM			
	2145800	Wiring Diagram	ED-15SE-EXP			
67*	2145900	Wiring Diagram	ED-30SF-DOM			
	2144600	Wiring Diagram	ED-30SF-Exp			
68*	2145801	Wiring Diagram	EDU-18SF			
69*	2146001	Wiring Diagram	EDU-36SF			

* NOT ILLUSTRATED

^ PHOTO AT END

RECOMMENDED STOCK PARTS

NOTES



GARLAND PARTS IDENTIFICATION
Electric Fryer ED-15F,ED-30FT, EDU-18-36FT

ITEM	PART#	DESCRIPTION	MODEL			
			QUANTITY			
			ED-15F	ED-30FT	EDU-18F	EDU-36FT
1	2158300	Hi-Limit Mounting Bracket	1	2	1	2
2	2147600	Hi Limit 430 Degrees F	1	2	1	2
3	G1155-1	Black PVC Grommet # 315-463	1	2	1	2
4	2160700	Bulb Clamp Top	1	2	1	2
5	2160899	Bulb Clamp Bottom Assembly	1	2	1	2
6	2185500	Fryer Element, 208V 5.3 kW	1	2	1	2
	2185501	Fryer Element, 220V 5.929 kW	1	2	1	2
	2185502	Fryer Element, 240V 5.3 kW	1	2	1	2
	2185503	Fryer Element, 230V 5.3 kW EDU Model Only			1	2
7	2158499	Termination Box Assembly	1	2	1	2
8	2158500	Termination Box Cover	1	2		
	2158501	Termination Box Cover CE			1	2
9	2160499	Clamp Back Assembly	1	2	1	2
10	2160300	Rtd Clamp	1	2	1	2
11	2147000	Rtd Sensor-Fryer	1	2	1	2
12	2147400	Liquid-Tite Fitting #3444	1	2	1	2
13	2898600	Switch W/Sealing Cap X01-E-1G6			1	2
14	2385400	Termination Box Support	1	2	1	2
15	2157398	End Post Assembly	2	4	2	4
16	2384999	Main Top Assembly	1			
	2385199	Main Top Assembly		1		
	2384998	Main Top Assembly			1	
	2385198	Main Top Assembly				1
17	2157800	Rear Shield	1			
	2157801	Rear Shield		1		
	2157802	Rear Shield			1	
	2157803	Rear Shield				1
18	2160598	Element Lifting Handle	1	2	1	2
19	F141	Clamp-Tube Timmerman Use GF141	2	4	2	4
20	2158699	Element Clamp Assembly	1	2	1	2
21	2176000	Inspection Cover	1	1	1	1
22	2157900	Contacto Box Cover	1			
	2157700	Contacto Box Cover		1		
	2157901	Contacto Box Cover			1	
	2157701	Contacto Box Cover				1
23	2158100	Contacto Box	1			
	2158000	Contacto Box		1		
	2158101	Contacto Box			1	
	2158001	Contacto Box				1
24	G01500-1	Ground Terminal 55 Amp	1		1	
	G10499-1	Ground Terminal 105A Large SLU-70		1		1
25	2147300	Terminal Block circuit	1			
	G01268-1	Terminal Block # 824 Export N.L.A.		3		
	G01268-1	Terminal Block # 824 Export N.L.A.		4		
	G01268-2	Terminal Block End #830 N.L.A.		1		

* NOT ILLUSTRATED

^ PHOTO AT END

RECOMMENDED STOCK PARTS

GARLAND PARTS IDENTIFICATION
Electric Fryer ED-15F,ED-30FT, EDU-18-36FT

ITEM	PART#	DESCRIPTION	MODEL			
			QUANTITY			
			ED-15F	ED-30FT	EDU-18F	EDU-36FT
25 Cont	G01280-3-7	Terminal Block Channel 3 LUG Domestic N.L.A.		1		
	G01280-4-7	Terminal Block Channel 4 LUG Export N.L.A.		1		
	2694800	Terminal Block Assembly				1
26	2186900	Contactor Single Pole	2	4	2	4
27	2133599	Fry-Tank Assembly	1	2	1	2
28	G02700-3	Fryer Basket Twin RH	1	2	1	2
	G02700-4	Fryer Basket Twin LH	1	2	1	2
	G02701-2	Fryer Basket Single	Optional			
29	2180699	Body Side Assembly LH - Black (Code 9402CG0180)	1	1	1	1
	2180698	Body Side Assembly LH S/S (Code 9402CG0180)	1	1	1	1
	2180599	Side Assembly RH (Code 9402CG0180)	1	1	1	1
	2180598	Side - Right Assembly S/S (Code 9402CG0180)	1	1	1	1
	2348499	Body Side Assembly RH (Code 9402CG0181)	1	1	1	1
	2349498	Body Side Assembly LH (Code 9402CG0181)	1	1	1	1
	2349497	Body Side Assembly RH (Code 9402CG0181)	1	1	1	1
	2349496	Body Side Assembly LH (Code 9402CG0181)	1	1	1	1
30	2180899	Body Back & Bottom Assembly (15F)	1			
	2180898	Body Back & Bottom Assembly S/S	1			
	2181399	Body Back & Bottom Assembly (30FT)		1		
	2181398	Body Back & Bottom Assembly S/S		1		
	2180897	Body Back & Bottom Assembly 18" W.C.			1	
	2180896	Body Back & Bottom Assembly S/S			1	
	2181397	Back and Bottom Assembly W.C.				1
	2181396	Back and Bottom Assembly S/S				1
31	2351900	Control Shield	1			
	2352500	Control Shield		1		
	2351902	Control Shield			1	
	2352502	Control Shield				1
32	2149400	Door Hinge Right Hand	1	1	1	1
	2149401	Door Hinge Left Hand	1	1	1	1
33	2349500	Control Panel	1			
	2350000	Control Panel		1		
	2349501	Control Panel			1	
	2350001	Control Panel				1
34	2138900	Dial Insert F/ED-15, 30F (F) 300-375	1	2	1	2
	2138901	Dial Insert F/ED-15FE, 30FE (C) 95-192	1	2	1	2
35A	F561	10 23 - 3/16 Socket Head Screw	1	2	1	2
35B	3043207	Knob Hub	1	2	1	2
35C	3043300	Retaining Spring	1	2	1	2
35D	3043100	Dial	1	2	1	2
35E	4512224	Dial Kit – Includes Items: 35A, 35B, 35C, 35D				
36^	2146800	Illuminated Power Switch	1	2	1	2

* NOT ILLUSTRATED

^ PHOTO AT END

RECOMMENDED STOCK PARTS

GARLAND PARTS IDENTIFICATION
Electric Fryer ED-15F,ED-30FT, EDU-18-36FT

ITEM	PART#	DESCRIPTION	MODEL			
			QUANTITY			
			ED-15F	ED-30FT	EDU-18F	EDU-36FT
37^	3011401	PVC Clear Cap c/w Black Bezel			1	2
39	2138500	Pilot Amber (Neon Lamp Housing w/Amber Lens)	1	2	1	2
40	2149299	Door Assembly 15"	1			
	2149292	Door Assembly 30"		1		
	2149298	Door Assembly 18"			1	
	2149295	Door Assembly 36"				1
41	2149300	Door Pull	1	1	1	1
42	2491500	Stop Plate Assembly	1	1	1	1
43	2153900	Insulator - Thermostat	1	2	1	2
44	2142000	Electronic Thermostat 200-375F	1	2	1	2
45	2358200	Shaft Seal N9030 x 1/4	1	2	1	2
46	2382800	Shaft Retaining Spring	1	2	1	2
47	2167300	Panel Bearing Assembly	1	2	1	2
48	2167000	Spring Tension Pin	1	2	1	2
49	2166800	Potentiometer Shaft	1	2	1	2
50	2167100	Bowed Spring Washer	1	2	1	2
51	2167200	Retainer Ring	1	2	1	2
52	078174-1	Magnetic Door Catch	1	1	1	1
53	2139600	Magnet Mounting Bracket To 05/07/91	1	1	1	1
	2183500	Magnet Bracket From 05/07/91	1	1	1	1
54	1028500	Connector 3/8" 90 Deg Romex	1	2	1	2
55	1029600	Antishorts # 1	2	4	2	4
56	G1497-1	Bx Connector Straight 3/8"	1	2	1	2
57A	F57	Bolt-3/8-16x 1 1/16"	4	4	4	4
57B	0780109-2	Metal Leg (Optional)	4	4	4	4
57C*	G010503-G	Leg Weld Nut	4	4	4	4
58	2169200	Panel Control Wire F/ED 15F, 30F	1	2	1	2
59	2169100	Contactor Control Wire F/ED-15F	1			
	2170500	Contactor Control Wire F/ED-30F		1		
	2169101	Control Wires - Contactor			1	
	2170501	Control Wires - Contactor				1
60	2168800	Contactor Jumper F/ED-15, 30F Export	1	2		
	2168801	Contactor Jumper			1	2
61	2184801	Contactor Wires	1			
	2184803	Contactor Wires	1		1	
	2184800	Contactor Wires		1		
	2184802	Contactor Wires		1		1

* NOT ILLUSTRATED

^ PHOTO AT END

RECOMMENDED STOCK PARTS

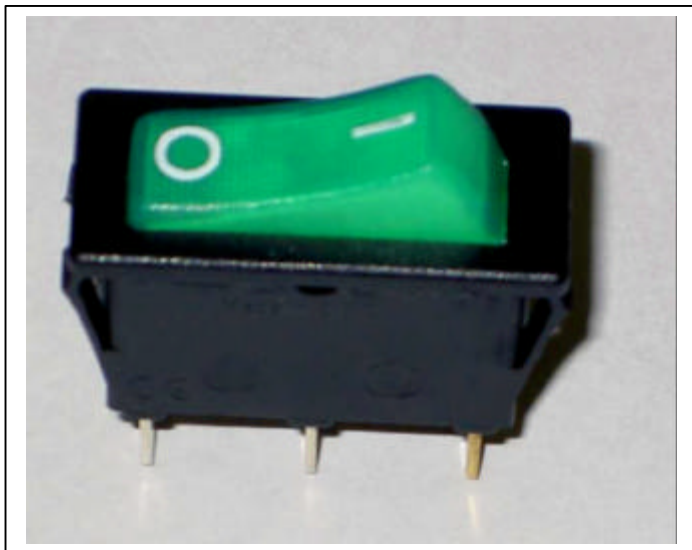
GARLAND PARTS IDENTIFICATION
Electric Fryer ED-15F,ED-30FT, EDU-18-36FT

ITEM	PART#	DESCRIPTION	MODEL			
			QUANTITY			
			ED-15F	ED-30FT	EDU-18F	EDU-36FT
62	2184900	Left End Post Wires	1			
	2184901	Left End Post Wire Harness			1	
	2185000	Right End Post Wires	1			
	2185001	Right End Post Wires	1		1	
	2185100	L.F. Left End Post Wires		1		
	2185101	L.F. Left End Post Wires Harness				1
	2185200	L.F. Right End Post Wires		1		
	2185201	L.F. Right End Post Wires		1		1
	2185300	R.F. Left End Post Wires		1		
	2185301	R.F. Left End Post Wires Harness				1
	2185400	R.F. Right End Post Wires		1		
2185401	R.F. Right End Post Wires		1		1	
63	G01296-1	Pilot Red 240V			1	2
64	3077101	Garland Nameplate 4 7/8"	1	1	1	1
65	2285999	Leg Channel Assembly 15"	2			
	2285998	Leg Channel Assembly 18"			2	
	2285996	Leg Channel Assembly 30"		2		
	2285995	Leg Channel Assembly 36"				2
66*	2184400	Wiring Diagram	ED-15 - Dom			
	2184500	Wiring Diagram	ED-15F - Exp			
67*	2184600	Wiring Diagram	ED-30F - Dom			
	2184700	Wiring Diagram	ED-30F- Exp			
68*	2184501	Wiring Diagram	EDU-18F			
	2184701	Wiring Diagram	EDU-36F			

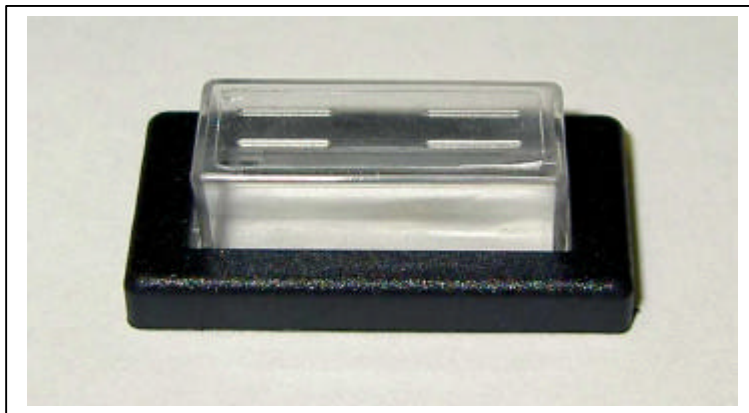
* NOT ILLUSTRATED

^ PHOTO AT END

RECOMMENDED STOCK PARTS



2146800
ILUMINATED POWER SWITCH



3011400
PVC CLEAR CAP C/W BLACK BEZEL

GARLAND PARTS IDENTIFICATION

Revision History

REV. #	PAGE #	ITEM #	NOTE	DATE
7	26	26	New Part Number	Feb 25/05
8	4, 8, 12, 16, 20, 24, 30		New Drawing	May 09/05
	6	38	New Part Number Added – Leg Channel Assembly For Reinforced Leg Support	
	10	45		
	15, 19	48		
	22	45		
28, 35	65			
9	25	15	Part number changed – was 2157399	Jun 09/05
	31			
10	26,32	36	Photo At The End Added	Aug 24/05
		37	New Part Number, (Was 3011401) – Photo At End Added	
	35	Digital Photos Page Added		
11	5,9,13,17 21,26,32	9,7,13,22, 9,39,39	Note Added Into Description	June 12/06
12	5,9,14,17 22,27,33	22,21,28,28 33,40,40	Description Changed	Aug 16/06
	10	38	Part Number (1902919) Name Plate Removed	
	6,14	35,38	Part Number Changed – Was 1902919 Description Changed Also From 4” to 4 7/8”	
	18,22	44,40		
	28,34	64		
13	5	11,12	Part # Deleted – Was 2137700 Old Knob & 2139000 Insert	Sep 18/06
	9	9,10		
	17	24,25		
	13	15,16	Part # Deleted – Was 2137700 Old Knob & 2138800 Insert F, 2138801 Insert C	
	5,9,13,17 21,27,33	16,18,19,19 17,57,57	Part # 078109-1 Plastic Leg Removed / Item # Letter Added	
	4,6	39 to 45	New Part Numbers / Drawing Modified	
	8,10	46 to 51		
	12,15	49 to 55		
	16,19	49 to 54		
	21	11A	Description & Item Number Changed	
	20,21	11D	New Part Number	
		35	Part # Deleted – Was 2137700 Old Knob	
	24,26 30,32	35A,35B 35C,35D 35E	New Part Number	
17	2	Quantity Changed		

NOTES

NOTES

NOTES

 **GARLAND**[®]