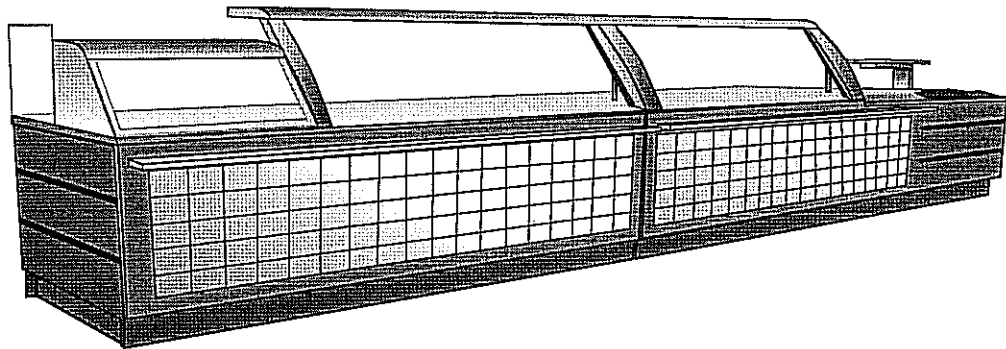




"Your Solutions Partner"

## *Illustrated Parts List*



## **SUBWAY® FRONT COUNTER**

### MODEL

SUB-CP-TC

SUB-HF

SUB-CU

---

*This manual is Copyright © 2009 Duke Manufacturing Co. All rights reserved.  
Reproduction without written permission is prohibited. Duke is a registered  
trademark of the Duke Manufacturing Co.*

### **Duke Manufacturing Co.**

2305 N. Broadway  
St. Louis, MO 63102  
Phone: 314-231-1130  
Toll Free: 1-800-735-3853  
Fax: 314-231-5074  
[www.dukemfg.com](http://www.dukemfg.com)



## TABLE OF CONTENTS

DETERMINING THE MANUFACTURING DATE FROM A PIECE OF EQUIPMENT'S SERIAL NUMBER .....	3
TRI-CHANNEL – COLD PAN .....	4
Figure: PL-1 Tri-Channel – Cold Pan.....	4
Table: PL-1 Tri-Channel – Cold Pan .....	5
PURSE RAIL – FRONT COUNTER .....	6
Figure: PL-2 Purse Rail – Front Counter .....	6
Table: PL-2 Purse Rail – Front Counter .....	7
TRI-CHANNEL – COMPRESSOR ASSEMBLY.....	8
Figure: PL-3 Tri-Channel Compressor Assembly .....	8
Table: PL-3 Tri-Channel Compressor Assembly .....	9
HOT FOOD PAN .....	11
Figure: PL-4 Hot Food Pan.....	11
Table: PL-4 Hot Food Pan .....	11
ALUMINUM DAY COVER – TRI-CHANNEL COLD PAN .....	12
Figure: PL-5 Aluminum Day Cover – Tri-Channel Cold Pan.....	12
Table: PL-5 Aluminum Day Cover – Tri-Channel Cold Pan .....	12
ALUMINUM DAY COVER – HOT FOOD PAN .....	14
Figure: PL-6 Aluminum Day Cover – Hot Food Pan .....	14
Table: PL-6 Aluminum Day Cover – Hot Food Pan.....	14
STAINLESS STEEL DAY COVER – TRI-CHANNEL COLD PAN and HOT PAN UNITS .....	17
Figure: PL-7 Stainless Steel Day Cover – Tri-Channel Cold Pan and Hot Pan Units.....	17
Table: PL-7 Stainless Steel Day Cover – Tri-Channel Cold Pan and Hot Pan Units .....	17
CUSTOMER ASSISTANCE.....	23



## DETERMINING THE MANUFACTURING DATE FROM A PIECE OF EQUIPMENT'S SERIAL NUMBER

### Units Manufactured in Sedalia

Serial Number Example: 01040019

01	04	0019
Specifies the month manufactured	Specifies the year manufactured	Sequential digits

The serial number 01040019 indicates that the unit was built in January of 2004.



### TRI-CHANNEL – COLD PAN

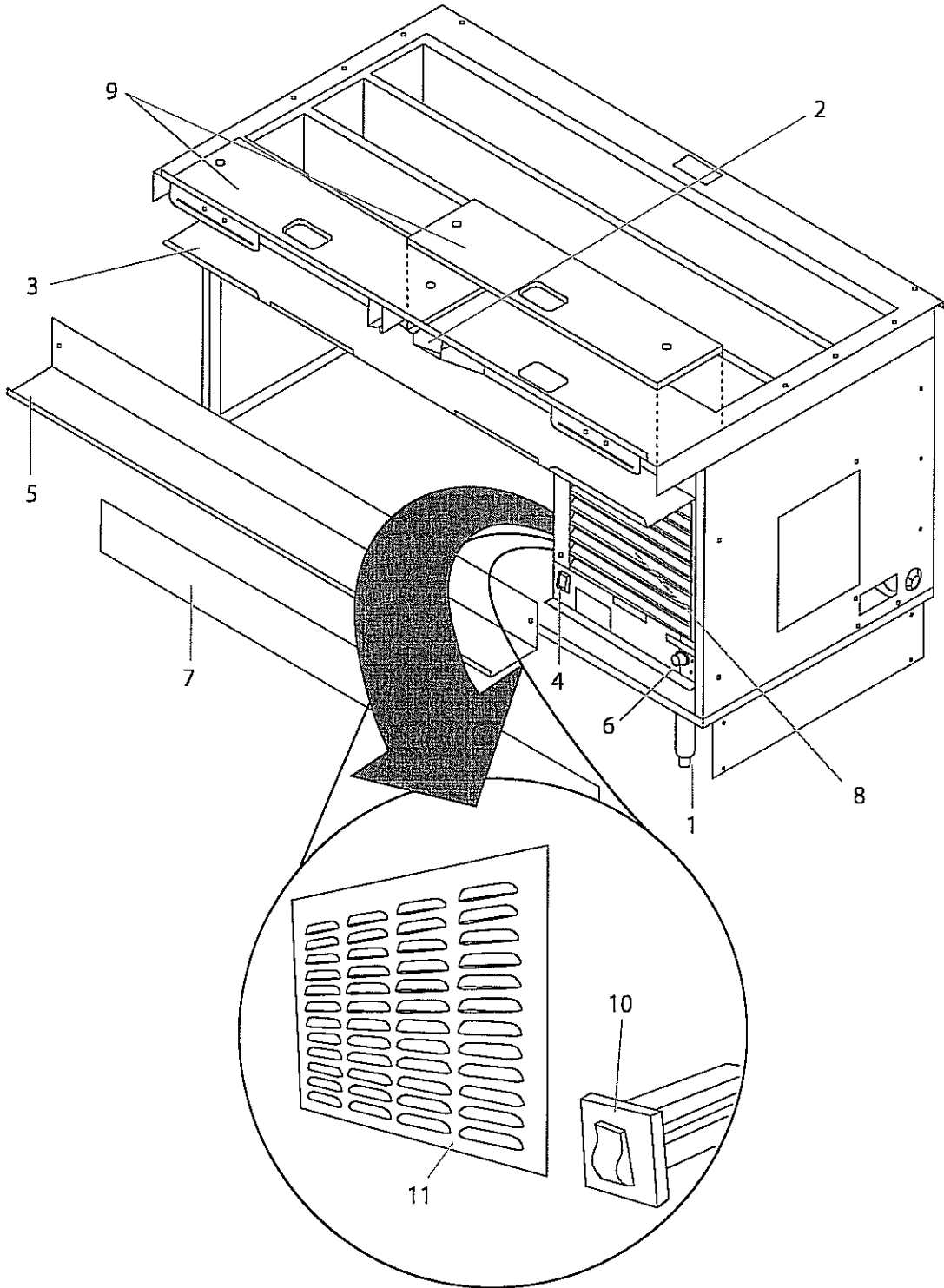


Figure: PL-1 Tri-Channel – Cold Pan



**TRI-CHANNEL – COLD PAN**

ITEM	QTY.	PART NUMBER	DESCRIPTION
1	4/6	214556	Leg Assembly, Galvanized, 1 <sup>5</sup> / <sub>8</sub> " x 6"
2	1/2	252893	Holder, Knife Assembly
3	1	253477	Shelf, Supply Cold Pan 48" w/Brackets
	1	253478	Shelf, Supply Cold Pan 60" w/Brackets USED UNTIL 12/16/07
	1	253480	Shelf, Supply Cold Pan 74" w/Brackets
	1	253481	Shelf, Supply Cold Pan 86" w/Brackets
	1	RS022480	Cold Pan Funct. Shelf Assembly 48" One Piece USED 12/17/07 & AFTER
	1	RS022481	Cold Pan Funct. Shelf Assembly 60" One Piece (Upper/Lower Together)
	1	RS022482	Cold Pan Funct. Shelf Assembly 74" One Piece
	1	RS022483	Cold Pan Funct. Shelf Assembly 86" One Piece
4	1	212280	Switch, Lighted, Amber (Master Power)
5	1	252341	Shelf, Supply Auxiliary 48" Cold Pan
	1	252264	Shelf, Supply Auxiliary 60" Cold Pan USED UNTIL 12/16/07
	1	252356	Shelf, Supply Auxiliary 74" Cold Pan
	1	252171	Shelf, Supply Auxiliary 86" Cold Pan
6	1	216837	Thermostat, 120VAC Digital Elreha TXV USED 9/17/07 & AFTER
	1	216588	Thermostat, 220VAC Digital Elreha TXV USED 9/17/07 & AFTER
	1	254788	Thermostat Kit Mechanical Dial TC (AXV/Tri-Cap) USED UNTIL 9/16/07
	1	2705-2C	2705 Knob for 254788 Thermostat
	1	216814	Thermostat, International 220V Dixell USED AFTER 3/13/06
	1	216812	Thermostat, International 220V Dixell Probe USED AFTER 3/13/06
	1	254787	Thermostat Kit, SW N7 Coldpan 220VAC, 50Hz USED UNTIL 6/2002
7	2	RS000235	Kick plate, Side 48"
	2	RS000236	Kick plate, Side 60"
	2	RS000239	Kick plate, Side 74"
	2	RS000240	Kick plate, Side 86"
8	1	252313	Louver Compressor Cold Pan USED UNTIL 4/6/06
	1	255032	Panel, Louver Tri-channel with Keyholes USED 4/7/06 & AFTER
9	1	215332	Unit Carving Board, 48" x 8" Day Cover
	2	215333	Unit Carving Board, 60" x 8" Day Cover
	2	215334	Unit Carving Board, 74" x 8" Day Cover
	2	215335	Unit Carving Board, 86" x 8" Day Cover
10	1	212309	2 Amp Circuit Breaker, Purse Rail Lights
11	1	255031	Panel, Compressor Side Louvre USED 4/7/06 & AFTER
Not Shown	A/R	SUB-TRI-AXV-KIT	Cap Tube to AXV Conversion Kit
Not Shown	A/R	KIT-COND-TR1380	Kit, Condensor, Tri-Channel 48/60 with AXV Conversion
Not Shown	A/R	KIT-COND-TR1382	Kit, Condensor, Tri-Channel 74/86 with AXV Conversion

**Table: PL-1 Tri-Channel – Cold Pan**



### PURSE RAIL – FRONT COUNTER

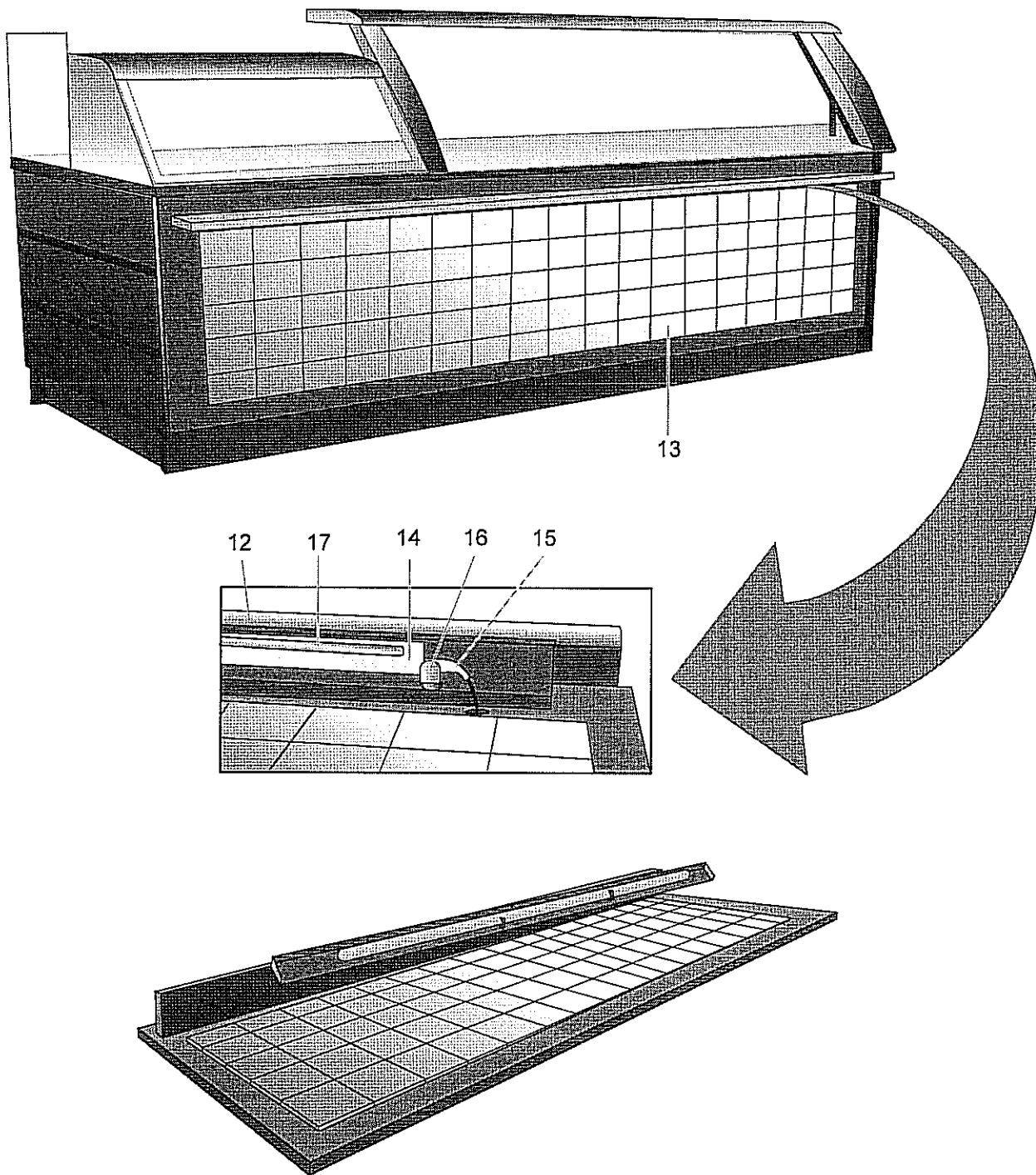


Figure: PL-2 Purse Rail – Front Counter



**PURSE RAIL – FRONT COUNTER**

ITEM	QTY.	PART NUMBER	DESCRIPTION
12	1	SUB-REPL-PR-LT	Subway Replacement Purse Rail Kit – Left
	1	SUB-REPL-PR-RT	Subway Replacement Purse Rail Kit – Right
	1	SUB-REPL-PR-SGL	Subway Replacement Purse Rail Kit – Single
	1	SUB-PR-CVR-SET	Kit, SS Purse Rail Left/Right Covers (Set of two)
	1	SUB-PR-CVR-SGL	Kit, SS Purse Rail Single Cover
13	A/R	216221	Tile, Mosaic Left/Veggie, Rectangle Basket USED UNTIL 10/2008
		216222	Tile, Mosaic Right/Veggie, Round Basket USED UNTIL 10/2008
		226221	Panel, Pepper USED AFTER 11/2008
		226222	Panel, Tomato USED AFTER 11/2008
<b>HERA T4 LIGHT FIXTURES, REPLACEMENT BULBS, CORDS &amp; CONNECTORS - USED UNTIL 9/2006</b>			
14	A/R	0652010	Fixture, Hera Light, # ES20/220, 220VAC, 18W
	A/R	SUB-HERA-FIXT-120	Fixture, Hera Light, #ES20/120, 120VAC, 18W – New Pin
15	1	212202	Hera Cord with Plug, 120VAC
	1	214303	Hera Cord with Plug, 220VAC
		225812	Hera Cord with Plug, 120VAC (NEW)
16	A/R	251836	T4 Clip, Light Fixture Mounting, Purse Rail (old)
17	A/R	0651428	Bulb, Hera, Fluorescent Light ES20 (120V/220V), 18W
Not Shown	A/R	214432	Hera, Connector, Direct Light Fixture, 120VAC
	A/R	212305	Hera, Connector, Pin to Pin, 220VAC
<b>LITE CO T4 LIGHT FIXTURES, REPLACEMENT BULBS AND CORDS – USED AFTER 9/2006</b>			
14	A/R	215820	Fixture, LITECO, 22 In, 120VAC, 60Hz
	A/R	215853	Fixture, LITECO, 22 In, 220VAC, 50Hz
15	1	215886	LITECO, Cord with Plug, 110VAC, 6 ft.
	1	215887	LITECO, Cord with Plug, 220VAC, 6 ft.
16	A/R	251836	T4 Clip, Light Fixture Mounting, Purse Rail
17	A/R	215883	Bulb, LITECO, 22 In, 120VAC, 60Hz
	A/R	215855	Bulb, LITECO, 22In, 220VAC, 50Hz
<b>HERA T5 LIGHT FIXTURES, REPLACEMENT BULBS, CORDS &amp; CONNECTORS – USED AFTER 2/2009</b>			
14	A/R	225801	Fixture, Hera T5, 14W, 120VAC
	A/R	225803	Fixture, Hera T5, 28W, 120VAC
	A/R	225805	Fixture, Hera T5, 14W, 230VAC
	A/R	225807	Fixture, Hera T5, 28W, 230VAC
15	1	225812	Hera Cord with Plug, 120VAC
	1	225813	Hera Cord with Plug, 230VAC EU
16	A/R	225824	Clip, Light Fixture Mounting, Purse Rail – T5 Fixtures
17	A/R	225809	Lamp, Hera T5, 14W OSRAM
	A/R	225811	Lamp, Hera T5, 28W OSRAM
Not Shown	A/R	SUB-T5LTS-G120	Assembly, Light Kit, Purse Rail, 120VAC
	A/R	SUB-T5LTS-G220	Assembly, Light Kit, Purse Rail, 220VAC

**Table: PL-2 Purse Rail – Front Counter**



### TRI-CHANNEL – COMPRESSOR ASSEMBLY

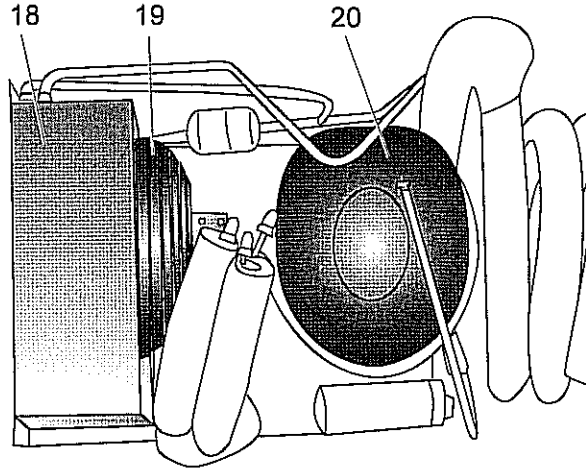


Figure: PL-3 Tri-Channel Compressor Assembly

ITEM	PART NO	DESCRIPTION	QTY
<b>CONDENSING UNITS USED FROM 6/2003 THROUGH 9/12/2006</b>			
18	216453	Condensing Unit, Assembly, 48 & 60 Inch Tri-Cap, 60Hz	1
19	217842	Fan Motor for 216453 Condensing Units	1
20	217844	Compressor for 216453 Condensing Units	1
Not Shown	217813	Protector for 216453 Condensing Units	1
Not Shown	217854	Relay for 216453 Condensing Units	1
Not Shown	217843	Start Cap for 216453 Condensing Units	1
Not Shown	217809	Fan Blade for 216453 Condensing Units	1
<b>CONDENSING UNITS USED FROM 6/2003 THROUGH 9/6/2006</b>			
18	216457	Condensing Unit, Assembly, 48 & 60 Inch Tri-Cap, 50Hz	1
19	217846	Fan Motor for 216457 Condensing Units	1
20	217845	Compressor for 216457 Condensing Units	1
Not Shown	217849	Protector for 216457 Condensing Units	1
Not Shown	217848	Relay for 216457 Condensing Units	1
Not Shown	217847	Start Cap for 216457 Condensing Units	1
Not Shown	217809	Fan Blade for 216457 Condensing Units	1
<b>CONDENSING UNITS USED FROM 6/2003 THROUGH 9/13/2006</b>			
18	216454	Condensing Unit, Assembly, 74 & 86 Inch Tri-Cap, 60Hz	1
19	217851	Fan Motor for 216454 Condensing Units	1
20	217850	Compressor for 216454 Condensing Units	1
Not Shown	217855	Protector for 216454 Condensing Units	1
Not Shown	217854	Relay for 216454 Condensing Units	1
Not Shown	217853	Start Cap for 216454 Condensing Units	1
Not Shown	217852	Fan Blade for 216454 Condensing Units	1



## TRI-CHANNEL – COMPRESSOR ASSEMBLY (CONT.)

### CONDENSING UNITS USED FROM 6/2003 THROUGH 9/20/2006

18	216458	Condensing Unit, Assembly, 74 & 86, Inch Tri-Cap, 50Hz	1
19	217868	Fan Motor for 216458 Condensing Units	1
20	217840	Compressor for 216458 Condensing Units	1
Not Shown	217865	Protector for 216458 Condensing Units	1
Not Shown	217866	Relay for 216458 Condensing Units	1
Not Shown	217847	Start Cap for 216458 Condensing Units	1
Not Shown	217819	Fan Blade for 216458 Condensing Units	

### CONDENSING UNITS USED FROM 9/13/2006 TO PRESENT

18	216879	Condensing Unit, Assembly, 48 & 60 Inch, 60Hz	1
19	217842	Fan Motor for 216879 Condensing Units	1
20	217844	Compressor for 216879 Condensing Units	1
Not shown	217813	Protector for 216879 Condensing Units	1
Not Shown	217814	Relay for 216879 Condensing Units	1
Not Shown	217843	Start Cap for 216879 Condensing Units	1
Not Shown	217809	Fan Blade for 216879 Condensing Units	1
Not Shown	226882	AXV Replacement kit for Serial No: 09061934 and later (9/13/2006 - 9/20/07)	1
Not Shown	216864	TXV Expansion Valve for Serial No. 09072127 and later	1
Not Shown	216414	Refrigerant Drier for Serial No. 09072127 and later.	1

### CONDENSING UNITS USED FROM 9/7/2006 TO PRESENT

18	216881	Condensing Unit, Assembly, 48 & 60 Inch, 50Hz	1
19	217846	Fan Motor for 216881 Condensing Units	1
20	217845	Compressor for 216881 Condensing Units	1
Not Shown	217849	Protector for 216881 Condensing Units	1
Not Shown	217848	Relay for 216881 Condensing Units	1
Not Shown	217869	Start Cap for 216881 Condensing Unit	1
Not Shown	217809	Fan Blade for 216881 Condensing Units	1
Not Shown	226882	AXV Replacement kit for Serial No: 09062481 and later (9/7/2006 - 9/20/2007)	1
Not Shown	216864	TXV Expansion Valve for Serial No. 09072127 and later	1
Not Shown	216414	Refrigerant Drier for Serial No. 09072127 and later.	1

**Table: PL-3 Tri-Channel Compressor Assembly**



## TRI-CANNEL – COMPRESSOR ASSEMBLY (CONT.)

### CONDENSING UNITS USED FROM 9/13/2006 TO PRESENT

18	216882	Condensing Unit, Assembly, 74 & 86 Inch, 60Hz	1
19	217851	Fan Motor for 216882 Condensing Units	1
20	217850	Compressor for 216882 Condensing Units	1
Not shown	217855	Protector for 216882 Condensing Units	1
Not Shown	217854	Relay for 216882 Condensing Units	1
Not Shown	217853	Start Cap for 216882 Condensing Units	1
Not Shown	217852	Fan Blade for 216882 Condensing Units	
Not Shown	226882	AXV Replacement kit for Serial No: 09062095 and later (9/13/2006 - 9/20/2007)	1
Not Shown	216864	TXV Expansion Valve for Serial No. 09072127 and later	1
Not Shown	216414	Refrigerant Drier for Serial No. 0972127 and later.	1

### CONDENSING UNITS USED FROM 9/21/2006 TO 9/20/2007

18	216883	Condensing Unit, Assembly, 74 & 86 Inch AXV, 50Hz	1
19	217857	Fan Motor for 216883 Condensing Units	1
20	217856	Compressor for 216883 Condensing Units	1
Not Shown	217861	Protector for 216883 Condensing Units	1
Not Shown	217860	Relay for 216883 Condensing Units	1
Not Shown	217827	Start Cap for 216883 Condensing Units	1
Not Shown	217858	Fan Blade for 216883 Condensing Units	1
Not Shown	226882	AXV Replacement Kit for Serial No: 06071411 and later (6/20/2007 - 9/20/2007)	1

### CONDENSING UNITS USED FROM 9/21/2007 TO PRESENT

18	216821	Condensing Unit, Assembly, 74 & 86 Inch TXV, .4HP 220VAC 50Hz	1
19	217857	Fan Motor for 216821 Condensing Units	1
20	217856	Compressor for 216821 Condensing Units	1
Not Shown	217861	Protector for 216821 Condensing Units	1
Not Shown	217860	Relay for 216821 Condensing Units	1
Not Shown	217869	Start Cap for 216821 Condensing Units	1
Not Shown	217858	Fan Blade for 216821 Condensing Units	1
Not Shown	216864	TXV Expansion Valve for Serial No. 09072127 and later (9/21/07 to Present)	1
Not Shown	216414	Refrigerant Drier for Serial No. 09072127 and later (9/21/07 to Present)	1

**Table: PL-3 Tri-Channel Compressor Assembly (Cont.)**



## HOT FOOD PAN

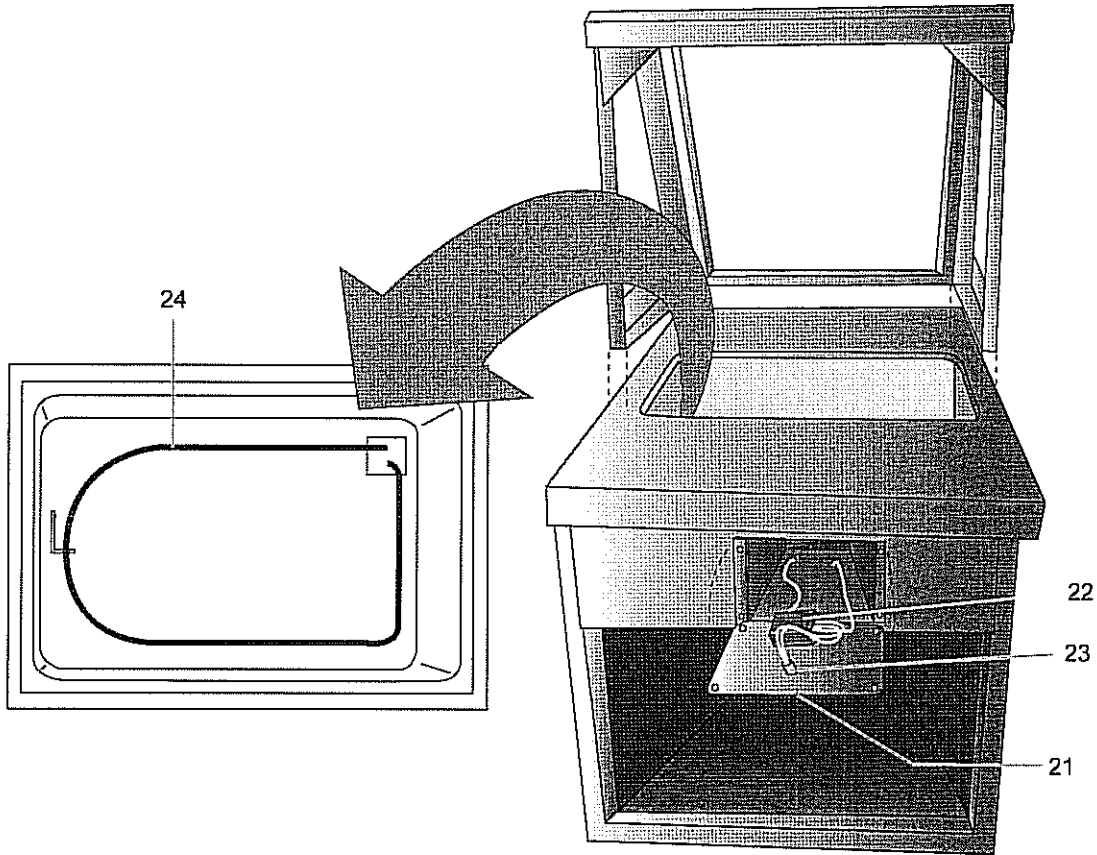


Figure: PL-4 Hot Food Pan

ITEM	QTY.	PART NUMBER	DESCRIPTION
21	1	2190-2	Knob, Electric Thermostat
22	1	2081-2	Thermostat, Electric
23	1	215550	Pilot, Amber, Light
24	1	2942-2	Dome, Element 118 VAC 500 Watt
	1	212945	Dome, Element 236 VAC 750 Watt VDE APPROVED
Not Shown	1	215336	Carving Board, Hot Food DC
	1	215555	Amber Light for Sealed Well Unit
	1	212935	Element for Sealed Well Unit - 240VAC, 750W
	1	153471	Hi Limit Thermostat – Sealed Well Units Only
	1	154047	Well, Sealed Well with Drain

Table: PL-4 Hot Food Pan



## ALUMINUM DAY COVER – TRI-CHANNEL COLD PAN

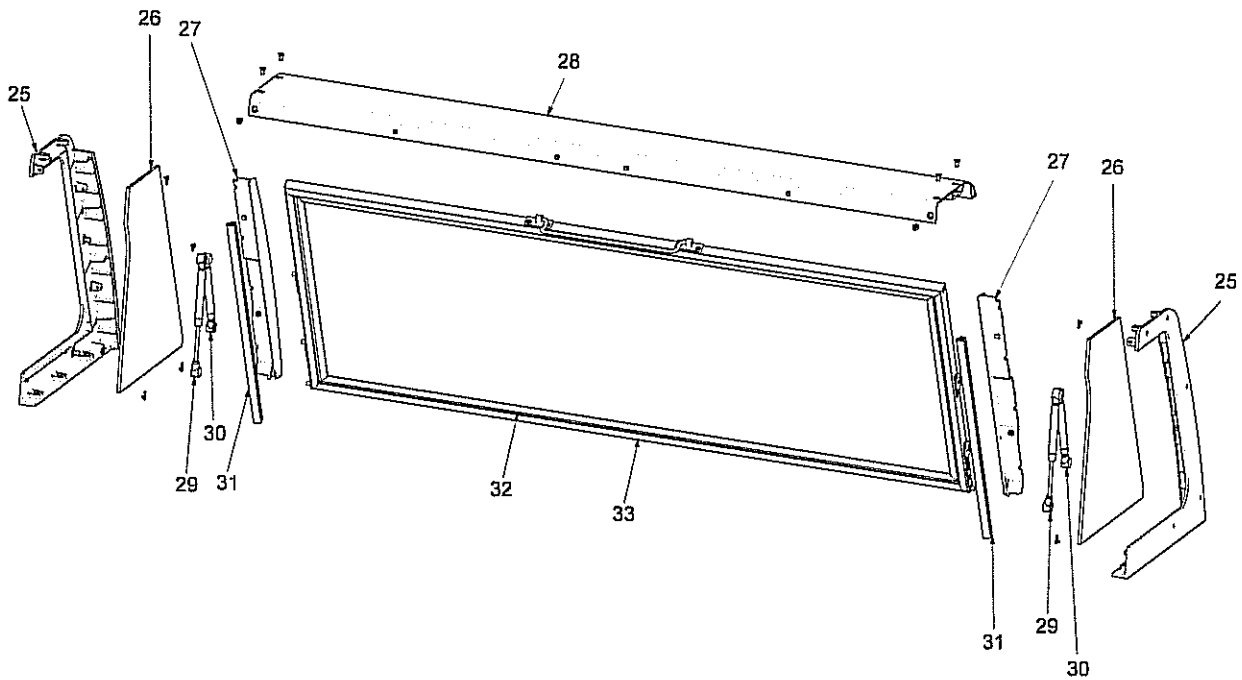


Figure: PL-5 Aluminum Day Cover – Tri-Channel Cold Pan

ITEM	QTY.	PART NUMBER	DESCRIPTION
25	1	REPL-PYLON-LT	Pylon, Aluminum, Left Side w/ Ball Stud & Bronze Bushing
	1	REPL-PYLON-RT	Pylon, Aluminum, Right Side w/ Ball Stud & Bronze Bushing
26	2	215763	End Glass SDGC
27	1	215727	Filler, Left SDGC
	1	215728	Filler, Right SDGC
28	1	255113	Assy, Shelf Drop 48 SDGC 120V – includes Fixtures, Wiring & Shelf
	1	255114	Assy, Shelf Drop 60 SDGC 120V
	1	255115	Assy, Shelf Drop 74 SDGC 120V
	1	255116	Assy, Shelf Drop 86 SDGC 120V
	1	255125	Assy, Shelf Drop 48 SDGC 220V
	1	255126	Assy, Shelf Drop 60 SDGC 220V
	1	255127	Assy, Shelf Drop 74 SDGC 220V
	1	255128	Assy, Shelf Drop 86 SDGC 220V

Table: PL-5 Aluminum Day Cover – Tri-Channel Cold Pan



**ALUMINUM DAY COVER – TRI-CHANNEL COLD PAN (CONT.)**

ITEM	QTY.	PART NUMBER	DESCRIPTION
29	2	214305	Gas Piston Cylinder 40 Lb. – 48" & 60" Day Covers
	2	214332	Gas Piston Cylinder 50 Lb. – 74" & 86" Day Covers
Not Shown	4	214309	Ball Mount on Pylon
Not Shown	4	214308	Ball Stud Bracket
30	2	214306	Gas Dampening Cylinder – All Sizes
	1	SHOCK-KIT-48/60	Kit to replace all Shocks/Dampeners for 48" & 60" Day Cover
	1	SHOCK-KIT-74/86	Kit to replace all Shocks/Dampeners for 74" & 86" Day Cover
Not Shown A/R		215774	New Style Ball Stud (Pylon)
31	2	215765/214543	Extrusion, Collapsible Gasket Assembly
32	1	255046	Glass Cover Assembly, Drop Down 48" SDGC
	1	255047	Glass Cover Assembly, Drop Down 60" SDGC
	1	255048	Glass Cover Assembly, Drop Down 74" SDGC
	1	255049	Glass Cover Assembly, Drop Down 86" SDGC
33	1	6726-2	Bulb Gasket for 48" Day Cover
	1	6727-2	Bulb Gasket for 60" Day Cover
	1	6728-2	Bulb Gasket for 74" Day Cover
	1	6729-2	Bulb Gasket for 86" Day Cover
Not Shown	1	215820	LITECO T4 Light Fixture, 120VAC, 16W USED UNTIL 2/2009
	1	215853	LITECO T4 Light fixture, 220VAC, 16W USED UNTIL 2/2009
	1	225801	Hera T5 Light Fixture, 120VAC 14W USED AFTER 2/2009
	1	225803	Hera T5 Light Fixture, 120VAC 28W USED AFTER 2/2009
	1	225805	Hera T5 Light Fixture, 230VAC, 14W USED AFTER 2/2009
	1	225807	Hera T5 Light Fixture 230VAC, 28W USED AFTER 2/2009
	1	225800	Hera T5 Light Fixture 120VAC, 8W USED AFTER 2/2009
	1	225804	Hera T5 Light Fixture 230VAC, 8W USED AFTER 2/2009
Not Shown A/R		215883	LITECO T4 Replacement Bulb 120VAC 16W USED UNTIL 2/2009
	A/R	215855	LITECO T4 Replacement Bulb, 220VAC 16W USED UNTIL 2/2009
	A/R	225809	Hera T5 Replacement Bulb, 14W OSRAM USED AFTER 2/2009
	A/R	225808	Hera T5 Replacement Bulb, 8W OSRAM USED AFTER 2/2009
	A/R	225811	Hera T5 Replacement Bulb, 28W OSRAM USED AFTER 2/2009

**Table: PL-5 Aluminum Day Cover – Tri-Channel Cold Pan (Cont.)**



### ALUMINUM DAY COVER – HOT FOOD PAN

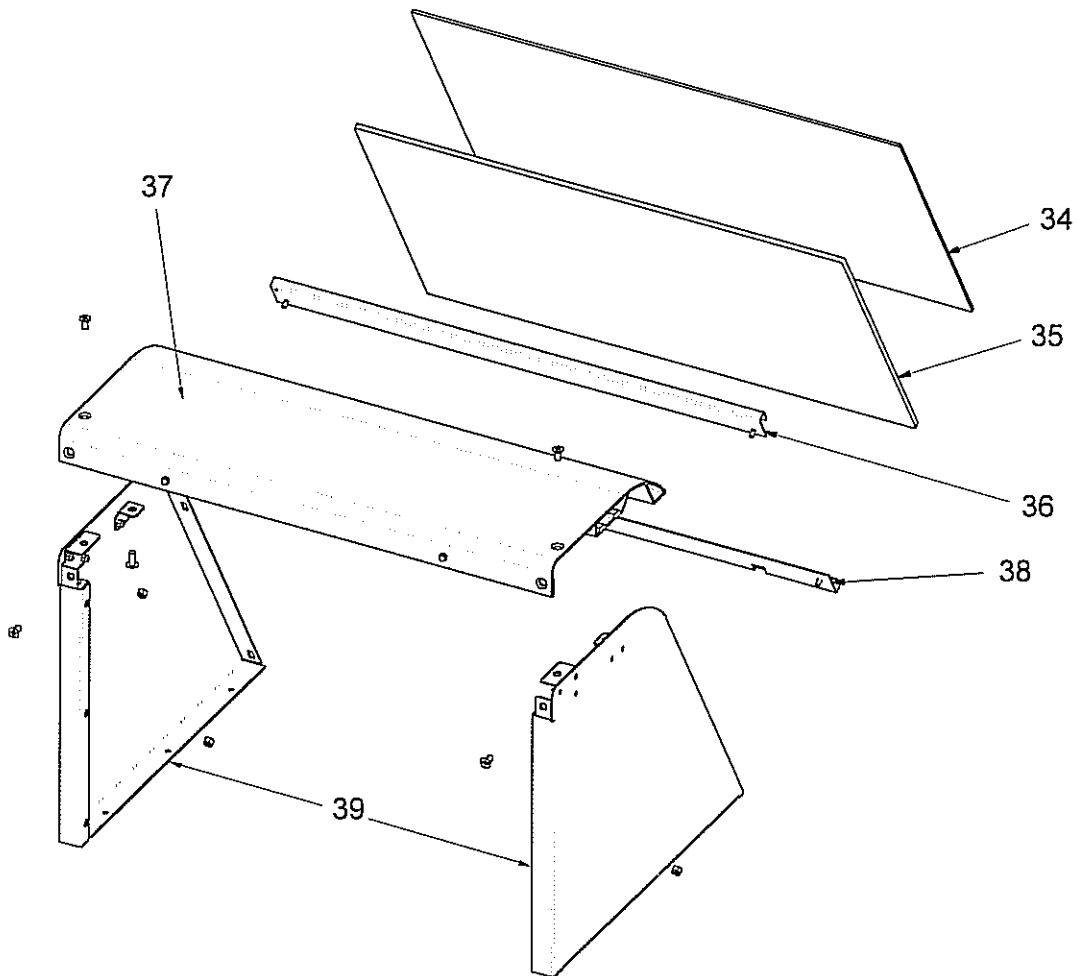


Figure: PL-6 Aluminum Day Cover – Hot Food Pan

ITEM	QTY.	PART NUMBER	DESCRIPTION
34	1	255401	PLEXI 1/4" 16.5" HFC-CLEAR
	1	255402	PLEXI 1/4" 18" HFC-CLEAR
	1	255403	PLEXI 1/4" 19" HFC-CLEAR
	1	255404	PLEXI 1/4" 24" HFC-CLEAR
	1	255405	PLEXI 1/4" 25" HFC-CLEAR
	1	255406	PLEXI 1/4" 36" HFC-CLEAR
	1	255407	PLEXI 1/4" 37" HFC-CLEAR
	1	255408	PLEXI 1/4" 48" HFC-CLEAR
	1	255409	PLEXI 1/4" 49" HFC-CLEAR
	1	255410	PLEXI 1/4" 60" HFC-CLEAR
	1	255411	PLEXI 1/4" 61" HFC-CLEAR

- The 1/4" pieces should be in front per Subway. Changed 11/06.

**If ordering new replacement parts:** both clear and frosted pieces must be ordered if the order shipped prior to 11/06.

Table: PL-6 Aluminum Day Cover – Hot Food Pan



## ALUMINUM DAY COVER – HOT FOOD PAN

ITEM	QTY.	PART NUMBER	DESCRIPTION	
35	1	255412	PLEXI 1/8" 16.5" HFC-FROSTED	
	1	255413	PLEXI 1/8" 18" HFC-FROSTED	
	1	255414	PLEXI 1/8" 19" HFC-FROSTED	
	1	255415	PLEXI 1/8" 24" HFC-FROSTED	
	1	255416	PLEXI 1/8" 25" HFC-FROSTED	
	1	255417	PLEXI 1/8" 36" HFC-FROSTED	
	1	255418	PLEXI 1/8" 37" HFC-FROSTED	
	1	255419	PLEXI 1/8" 48" HFC-FROSTED	
	1	255420	PLEXI 1/8" 49" HFC-FROSTED	
	1	255421	PLEXI 1/8" 60" HFC-FROSTED	
	1	255422	PLEXI 1/8" 61" HFC-FROSTED	
	36	1	255182	Rail, Top 16.5" HFC
		1	255183	Rail, Top 18" HFC
1		255184	Rail, Top 19" HFC	
1		255185	Rail, Top 24" HFC	
1		255186	Rail, Top 25" HFC	
1		255187	Rail, Top 36" HFC	
1		255188	Rail, Top 37" HFC	
1		255189	Rail, Top 48" HFC	
1		255190	Rail, Top 49" HFC	
1		255191	Rail, Top 60" HFC	
37	1	255129	Assembly, Shelf 16.5" HFC (No Lights)	
	1	255130	Assembly, Shelf 18" HFC 120V	
	1	255301	Assembly, Shelf 18" HFC 220V	
	1	255131	Assembly, Shelf 19" HFC 120V	
	1	255302	Assembly, Shelf 19" HFC 220V	
	1	255132	Assembly, Shelf 24" HFC 120V	
	1	255140	Assembly, Shelf 24" HFC 220V	
	1	255133	Assembly, Shelf 25" HFC 120V	
	1	255141	Assembly, Shelf 25" HFC 220V	
	1	255134	Assembly, Shelf 36" HFC 120V	
	1	255142	Assembly, Shelf 36" HFC 220V	
	1	255135	Assembly, Shelf 37" HFC 120V	
	1	255143	Assembly, Shelf 37" HFC 220V	
	1	255136	Assembly, Shelf 48" HFC 120V	
	1	255144	Assembly, Shelf 48" HFC 220V	
1	255137	Assembly, Shelf 49" HFC 120V		
1	255145	Assembly, Shelf 49" HFC 220V		

– The 1/8" pieces should be in rear per Subway. Changed 11/06.

**If ordering new replacement parts:** both clear and frosted pieces must be ordered if the order shipped prior to 11/06.

All others include lights/wires

Table: PL-6 Aluminum Day Cover – Hot Food Pan (Cont.)



**ALUMINUM DAY COVER – HOT FOOD PAN (CONT.)**

ITEM	QTY.	PART NUMBER	DESCRIPTION
37 (cont.)	1	255138	Assembly, Shelf 60" HFC 120V
	1	255139	Assembly, Shelf 61" HFC 120V
	1	255147	Assembly, Shelf 61" HFC 220V
38	1	255171	Rail, Bottom 16.5" HFC
	1	255172	Rail, Bottom 18" HFC
	1	255173	Rail, Bottom 19" HFC
	1	255174	Rail, Bottom 24" HFC
	1	255175	Rail, Bottom 25" HFC
	1	255176	Rail, Bottom 36" HFC
	1	255177	Rail, Bottom 37" HFC
	1	255178	Rail, Bottom 48" HFC
	1	255179	Rail, Bottom 49" HFC
	1	255180	Rail, Bottom 60" HFC
	1	255181	Rail, Bottom 61" HFC
39	1	255148	Assembly, Pylon, Right
	1	255149	Assembly, Pylon, Left
Not Shown	1	215864	LITECO T4 Light Fixture 120VAC, 8W USED UNTIL 2/2009
	1	215865	LITECO T4 Light Fixture, 220VAC, 8W USED UNTIL 2/2009
	1	215850	LITECO T4 Light Fixture 120VAC, 12W USED UNTIL 2/2009
	1	215852	LITECO T4 Light Fixture 220VAC, 12W USED UNTIL 2/2009
	1	225800	Hera T5 Light fixture, 120VAC, 8W USED AFTER 2/2009
	1	225804	Hera T5 Light Fixture, 230VAC, 8W USED AFTER 2/2009
	1	225801	Hera T5 Light Fixture 120VAC, 14W USED AFTER 2/2009
	1	225805	Hera T5 Light Fixture 230VAC, 14W USED AFTER 2/2009
	1	225803	Hera Light Fixture 120VAC, 28W USED AFTER 2/2009
	1	225807	Hera T5 Light Fixture 230VAC, 28W USED AFTER 2/2009
	Not Shown	A/R	215885
A/R		215866	LITECO T4 Replacement Bulb, 220VAC, 8W USED UNTIL 2/2009
A/R		215884	LITECO T4 Replacement Bulb, 120VAC, 12W USED UNTIL 2/2009
A/R		215854	LITECO T4 Replacement Bulb, 220VAC, 12W USED UNTIL 2/2009
A/R		225808	Hera Replacement Bulb 8W OSRAM
A/R		225809	Hera T5 Replacement Bulb 14W OSRAM USED AFTER 2/2009
A/R		225811	Hera T5 Replacement Bulb 28W OSRAM USED AFTER 2/2009

**Table: PL-6 Aluminum Day Cover – Hot Food Pan (Cont.)**



## STAINLESS STEEL DAY COVER – TRI-CHANNEL COLD PAN AND HOT PAN UNITS

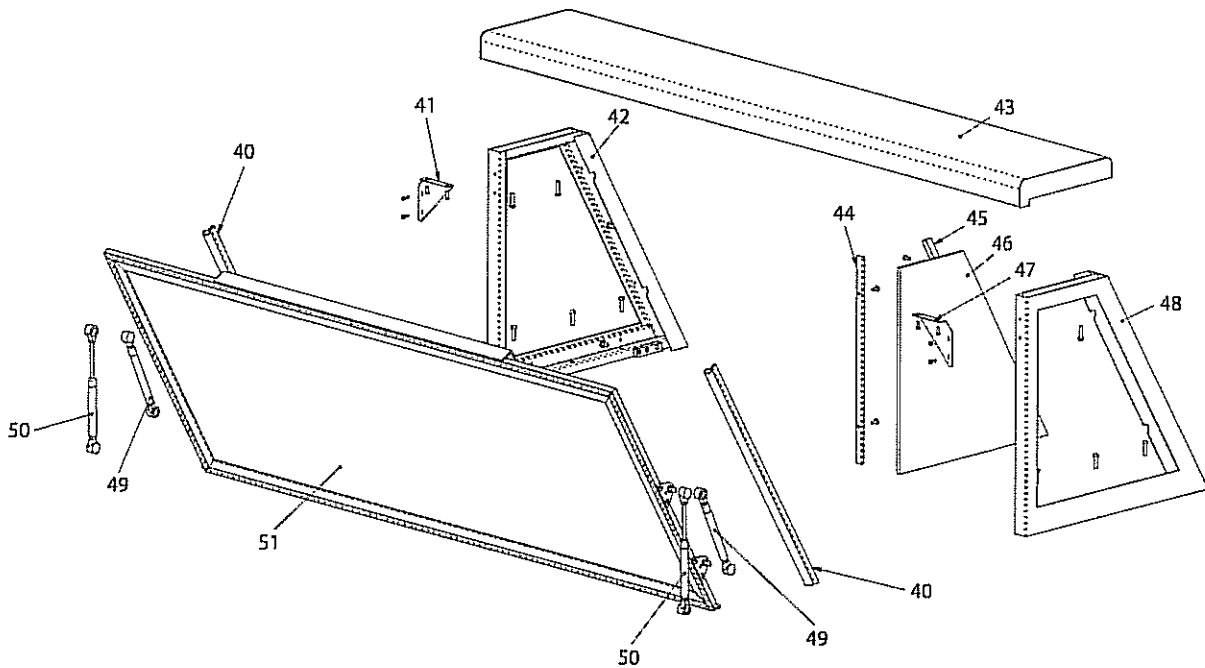


Figure: PL-7 Stainless Steel Day Cover – Tri-Channel Cold Pan and Hot Pan Units

ITEM	QTY.	PART NUMBER	DESCRIPTION
40	2	214932	Extrusion, Collapsible Gasket
41	1	252929	Bracket, Reinforcement , Anti Sway
42	1	252960	Assembly, Pylon Drop Left
	1	252963	Assembly, Pylon Fixed Left
43	1	252993	Assembly, Shelf 37" Fixed, 120VAC
	1	252994	Assembly, Shelf 49" Fixed, 120VAC
	1	252995	Assembly, Shelf 61" Fixed, 120VAC
	1	252996	Assembly, Shelf 48" Drop, 120VAC
	1	252997	Assembly, Shelf 60" Drop, 120VAC
	1	252998	Assembly, Shelf 74" Drop, 120VAC
	1	252999	Assembly, Shelf 86" Drop, 120VAC
	1	253002	Assembly, Shelf 37" Fixed, 220VAC
	1	253003	Assembly, Shelf 49" Fixed, 220VAC
	1	253004	Assembly, Shelf 61" Fixed, 220VAC
	1	253005	Assembly, Shelf 48" Drop, 220VAC
	1	253006	Assembly, Shelf 60" Drop, 220VAC
	1	253007	Assembly, Shelf 74" Drop, 220VAC
	1	253008	Assembly, Shelf 86" Drop, 220VAC

Must identify if guard is a Left or Right for wiring direction

Table: PL-7 Stainless Steel Day Cover – Tri-Channel Cold Pan and Hot Pan Units



**STAINLESS STEEL DAY COVER –  
TRI-CHANNEL COLD PAN AND HOT PAN UNITS (CONT.)**

ITEM	QTY.	PART NUMBER	DESCRIPTION
44	1	252931	Angle Glass Retainer Rear
45	1	252933	Angle Glass Retainer Front
46	1	214114	Glass End Pylon
47	1	252930	Bracket, Reinforcement, Anti Sway
48	1	252961	Assembly, Pylon Drop Right
	1	252963	Assembly, Pylon Fixed Right
49	2	214306	Gas Dampening Cylinder
50	2	214305	Gas Piston Cylinder
51	1	252986	Guard, Drop Nor-Fab 60" Assembly
	1	214362	Guard, Fixed Hot Pan Nor-Fab 49" Assembly
Not Shown	1	212066	Toggle Switch

**HERA T4 LIGHT FIXTURES, REPLACEMENT BULBS, CORDS & CONNECTORS**

Not Shown	A/R	0652010	Fixture, Hera Light, # ES20/220, 220VAC, 18W
Not Shown	A/R	SUB-HERA-FIXT-120	Fixture, Hera Light, #ES20/120, 120VAC, 18W – New Pin
Not Shown			
Not Shown	1	212202	Hera Cord with Plug, 120VAC
Not Shown	1	214303	Hera Cord with EU Plug, 220VAC
Not Shown		225812	Hera Cord with Plug, 120VAC (NEW)
Not Shown			
Not Shown	A/R	214519	T4 Clip, Light Fixture Mounting (old)
Not Shown			
Not Shown	A/R	0651428	Bulb, Hera, Fluorescent Light ES20 (120V/220V), 18W
Not Shown			
Not Shown	A/R	214432	Hera, Connector, Direct Light Fixture, 120VAC
Not Shown	A/R	212305	Hera, Connector, Pin to Pin, 220V (New)
Not Shown	A/R	216117	Hera T4 Lens Cover for 18W Bulb

**Table: PL-7 Stainless Steel Day Cover – Tri-Channel Cold Pan and Hot Pan Units (Cont.)**



**HERA T5 LIGHT FIXTURES**

Use only when upgrading all T4 fixtures to T5 lighting

ITEM	QTY.	PART NUMBER	DESCRIPTION
Not Shown	A/R	SUB-T5LTS-A120	Hera T5 Light Kit, 15-29.5 Inch, 120VAC for 25 Inch Day Covers
	A/R	SUB-T5LTS-A220	Hera T5 Light Kit, 15-29.5 Inch, 230VAC for 25 Inch Day Covers
	A/R	SUB-T5LTS-B120	Hera T5 Light Kit, 30-47 Inch, 120VAC for 25 Inch Day Covers
	AR	SUB-T5LTS-B220	Hera T5 Light Kit, 30-47 Inch, 230VAC for 25 Inch Day Covers
	A/R	SUB-T5LTS-C120	Hera T5 Light Kit, 47.5-51 Inch, 120VAC for 48 Inch Day Covers
	A/R	SUB-T5LTS-C220	Hera T5 Light Kit, 47.5-51 Inch, 230VAC for 48 Inch Day Covers
	A/R	SUB-T5LTS-D120	Hera T5 Light Kit, 51.5-83.5 Inch, 120VAC for 60 Inch Day Covers
	A/R	SUB-T5LTS-D220	Hera T5 Light Kit, 51.5-83.5 Inch, 230VAC for 60 Inch Day Covers
	A/R	SUB-T5LTS-E120	Hera T5 Light Kit, 64-75.5 Inch, 120VAC for 74 Inch Day Covers
	A/R	SUB-T5LTS-E220	Hera T5 Light Kit, 64-75.5 Inch, 230VAC for 74 Inch Day Covers
	A/R	SUB-T5LTS-F120	Hera T5 Light Kit, 76+ Inch, 120VAC for 86 Inch Day Covers
	A/R	SUB-T5LTS-F220	Hera T5 Light Kit, 76+ Inch, 230VAC for 86 Inch Day Covers
	A/R	SUB-T5LTS-G120	Hera T5 Light Kit, 120VAC For Purse Rails
	A/R	SUB-T5LTS-G220	Hera T5 Light Kit, 230VAC For Purse Rails

**Table: PL-7 Stainless Steel Day Cover – Tri-Channel Cold Pan and Hot Pan Units (Cont.)**

