

E101E
E102-G

Part # 153431C

"E" Series

ELECTRIC CONVECTION OVEN



Installation, Operation, Parts

& Maintenance Manual

DUKE MANUFACTURING CO.
2305 N. Broadway • St. Louis, MO 63102
800.735.3853 • 314.231.1130 • 314.231.5074 Fax
www.dukemfg.com

"E" Series Electric Convection Oven Repair Parts List

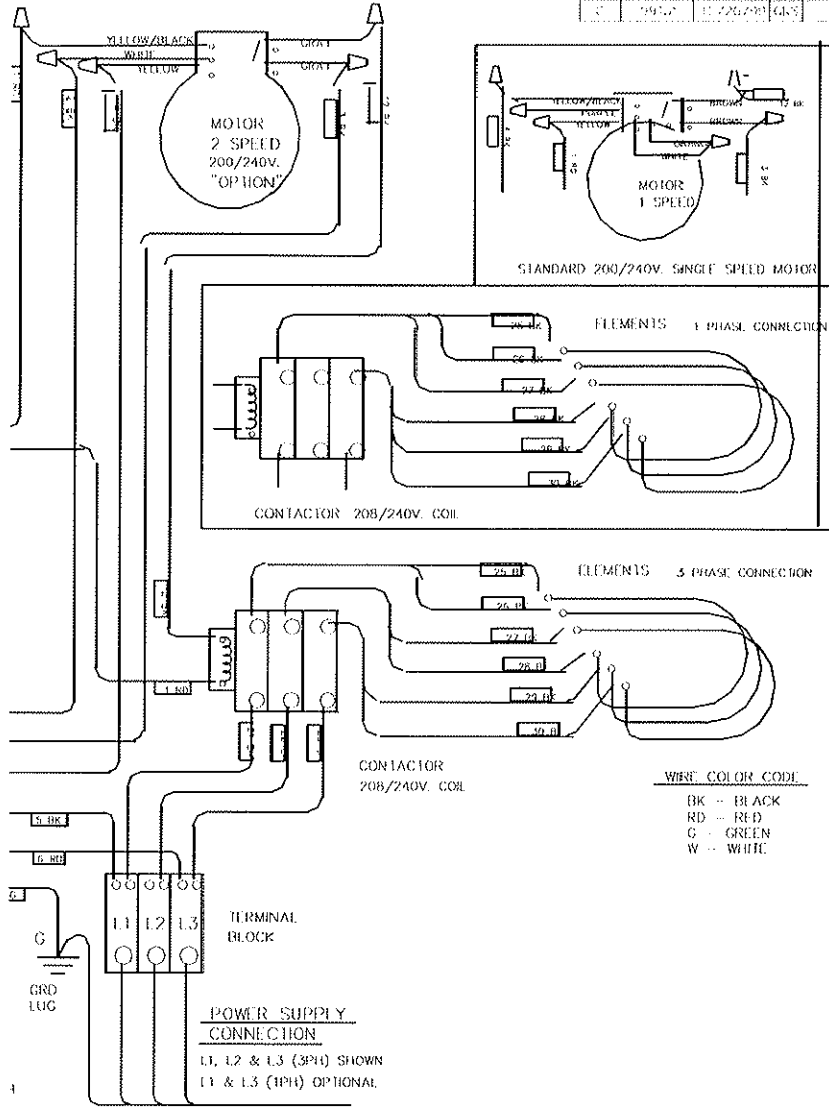
Part #	Description
153164	Baffle, 613, porcelain
153056	Bearing, door
153093	Blower wheel, 9-3/8" x 2"
153233	Bracket, stacking (for double sections)
153105	Bulb, 50 watt, 120v
154075	Buzzer, 208-240v
153416	Catch, door
153156	Contact, 3-pole, 50 amp, 208/240v
153440	Door, assembly, 6/13, solid, left, 50/50
153441	Door, assembly, 6/13, solid, right, 50/50
153434	Door, assembly, 6/13, w/glass, left, 50/50
153442	Door, assembly, 6/13, w/glass, right, 50/50
153102	Element, 10KW, 208v
153103	Element, 10KW, 240v
153104	Element, 10KW, 480v
153200	Fuse holder
153201	Fuse, 10 amp delay
153083	Gasket, door - side (2 required), 6/13
153084	Gasket, door - top, 6/13
153085	Gasket, door - bottom 6/13
153115	Grommet, silicon, bulb/probe
153432	Handle, door, assembly, 6/13 50/50 doors
165766	Knob, "X" controller
153142	Knob, "V", "X", "Z", "ZX"
153143	Knob, "Z", "ZX" controller
153801	Latch, roller assembly
153204	Light, oven ready, 208-240v
153114	Micro Switch, door 6/13
153034	Motor, only - 1/2 HP, 100-115/200-230v, 1-speed
153036	Motor, only - 1/2 HP, 200-240v, 2-speed
155361	Mylar panel, "E" Series, "V" model
155363	Mylar, lower, electric, "E" Series
153230	Rack, 6/13 oven (standard depth)
153231	Rack, 6/13 oven deep depth
147963	Socket, lamp
153229	Support, rack, 6/13
153071	Switch, actuator, door, 6/13
153146	Switch, interior lights (opt.)
153144	Switch, 2-speed fan (opt.)
153460	Switch, rotary
149403	Thermostat, "V" model
512971	Timer, 60-minute, 220v, 60Hz
512972	Timer, 60-minute, 230v, 50Hz
153358	Transformer, 480/240v, 1KVA
153088	Window, only assembly, 6/13

- 153346 (153345 Assy)

ATW: Raymond

713-868-3256

REV	ECO NO.	DATE	BY	DESCRIPTION
A		10-12-58	MSM	REVISION TO PROTECTIVE
B	1000	1-23-59	MSM	TO DRAWING FOR ELEMENTS WITH 208V CONTACTOR WITH 208/240V COIL TO BE RUN BY 480V
C	2000	11-22-70	GLS	TO USE 11 WIRETS 240V NEW DIMED



DUKE MANUFACTURING CO.			
MATERIAL	TOLERANCE UNLESS NOTED	DESCRIPTION	
	1/32" FRACTIONS	DRAWING WITH 208/240V	
MATERIAL	DRAWN BY: MSM	DATE: 10-12-58	200/240V
FINISH:	CHECKED BY:	DATE:	SCALE: NONE
			DRAWING NUMBER: W10000