

## Statement of Responsibilities

This document is for use by experienced and trained Qualified Cleveland Range, LLC Authorized Service Representatives who are familiar with both the safety procedures, and equipment they service.

Cleveland Range, LLC assumes no liability for any death, injury, equipment damage, or property damage resulting from use of, improper use of, or failure to use the information contained in this document.

Cleveland Range, LLC has made every effort to provide accurate information in this document, but cannot guarantee that this document does not contain unintentional errors and omissions.

The information in this document may be subject to technical and technological changes, revisions, or updates.

Cleveland Range, LLC assumes no liability or responsibility regarding errata, changes, revisions, or updates.

Qualified Cleveland Range, LLC Authorized Service Representatives are obligated to follow industry standard safety procedures, including, but not limited to, OSHA regulations, and disconnect / lock out / tag out procedures for all utilities including steam, and disconnect / lock out / tag out procedures for gas, electric, and steam powered equipment and / or appliances

All utilities (gas, electric, water and steam) should be turned OFF to the equipment and locked out of operation according to OSHA approved practices during any servicing of Cleveland Range equipment

Qualified Cleveland Range, LLC Authorized Service Representatives are obligated to maintain up-to-date knowledge, skills, materials and equipment.

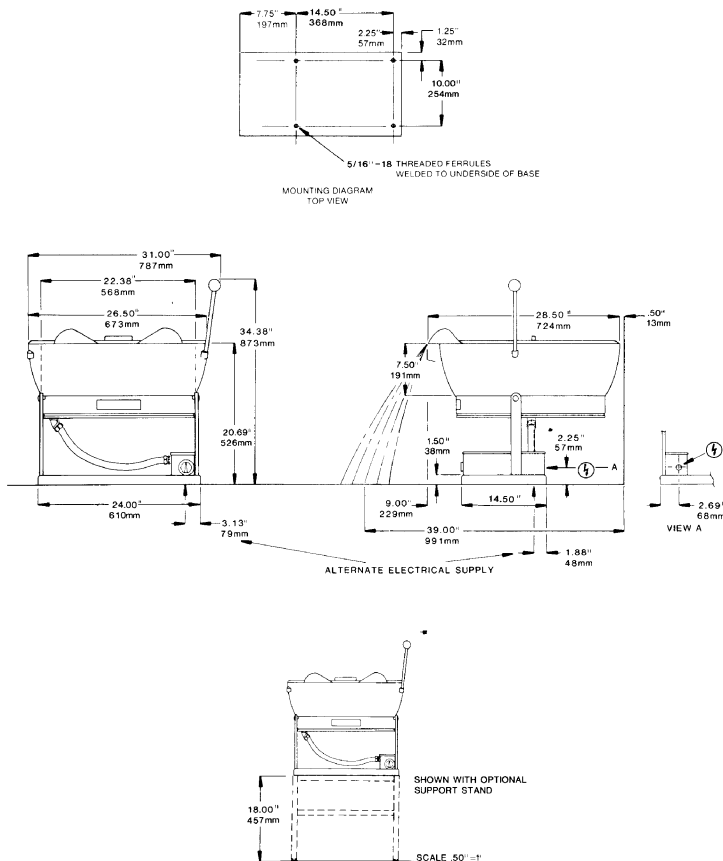
## TABLE TYPE, ELECTRIC

### 15 GALLON ROUND TILTING SKILLET

MODELS:  SET-15

ITEM NUMBER \_\_\_\_\_

JOB NAME / NUMBER \_\_\_\_\_



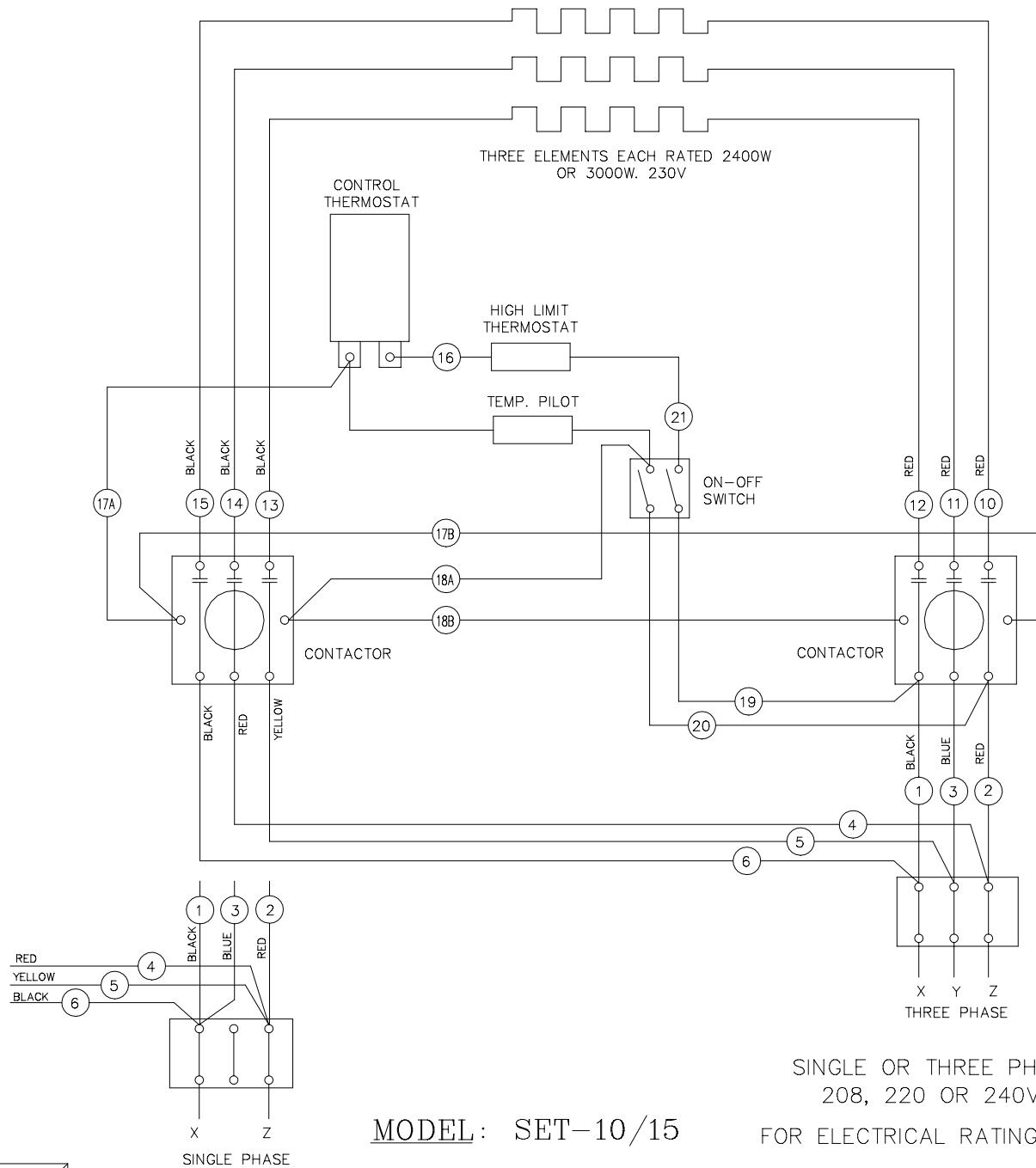
### SHORT FORM SPECIFICATION

Shall be CLEVELAND, Round Tilting Skillet, Model SET-15; \_\_\_\_ KW \_\_\_\_ Volts, 15 Gallon Capacity (56 liters). Complete with: Thermostatic and Safety Controls; Bead Blasted Cooking Surface; Lift-Off Cover with adjustable Vent. All Stainless Steel Construction.

ELECTRIC ⚡										CLEARANCE		
208 V			240 V			220/380 V			240/416 V			RIGHT = 4.00" LEFT = 4.00" REAR = 0.50"
KW	AMPS 1PH	AMPS 3PH	KW	AMPS 1PH	AMPS 3PH	KW	AMPS 1PH	AMPS 3PH	KW	AMPS 1PH	AMPS 3PH	
7.4	35.4	20.5	7.8	32.7	18.9	6.5	N/A	10.0	7.8	N/A	11.0	

DUAL VOLTAGE OF 220 / 380 SHOWN ON CHART REQUIRE A 4 WIRE, 3 PHASE ELECTRICAL SUPPLY.

Cleveland Range reserves right of design improvement or modification, as warranted.



SINGLE OR THREE PHASE  
208, 220 OR 240V  
FOR ELECTRICAL RATING SEE RATING PLATE

MODEL: SET-10/15

DWG:2242101