

## Statement of Responsibilities

This document is for use by experienced and trained Qualified Cleveland Range, LLC Authorized Service Representatives who are familiar with both the safety procedures, and equipment they service.

Cleveland Range, LLC assumes no liability for any death, injury, equipment damage, or property damage resulting from use of, improper use of, or failure to use the information contained in this document.

Cleveland Range, LLC has made every effort to provide accurate information in this document, but cannot guarantee that this document does not contain unintentional errors and omissions.

The information in this document may be subject to technical and technological changes, revisions, or updates.

Cleveland Range, LLC assumes no liability or responsibility regarding errata, changes, revisions, or updates.

Qualified Cleveland Range, LLC Authorized Service Representatives are obligated to follow industry standard safety procedures, including, but not limited to, OSHA regulations, and disconnect / lock out / tag out procedures for all utilities including steam, and disconnect / lock out / tag out procedures for gas, electric, and steam powered equipment and / or appliances

All utilities (gas, electric, water and steam) should be turned OFF to the equipment and locked out of operation according to OSHA approved practices during any servicing of Cleveland Range equipment

Qualified Cleveland Range, LLC Authorized Service Representatives are obligated to maintain up-to-date knowledge, skills, materials and equipment.



## PowerPan™ SERIES

35" RIM HEIGHT  
TILTING SKILLET, ELECTRIC

**MODELS:**  SEL-30-T1  
 SEL-40-T1

### Cleveland Standard Features

- Available in 30 & 40 (115 & 150 liter) gallon open frame design models. Full capacity to bottom of pouring lip.
- High efficiency heating system with even heat distribution. 30 gallon models (115 liter) feature a 12 KW heating element and the 40 gallon models (150 liter) feature a 18 KW heating element.
- Open base design for easy cleaning and maintenance.
- 5/8" Stainless Steel Bead Blasted cooking surface prevents warping and keeps food from sticking.
- Durable 12 gauge, 304 Stainless Steel pan construction. 5/8" (16mm) mild steel clad bottom plus a 1/16" (1.6mm) Stainless Steel plate for even temperature distribution.
- Low 35" rim height for easy operation and cleaning.
- Splash Proof Controls and construction.
- Easy-to-turn manual hand tilt. Optional power tilt with manual override available.
- Gallon/Liter Markings and Vented Spring Assist Cover standard.
- Available with Optional 2" Tangent Draw-Off Valve.
- 10° Cooking Feature. Tilt unit up to 10° without the power being turned off.
- Adjustable, Electronic Thermostat accurately controls temperature from 100° to 450° F.
- Conforms to ASTM spec F1047-91.
- Standard Voltages 208-240, single and three phase.
- Spring-Assist Cover with full width handle and vent.

ITEM NUMBER \_\_\_\_\_

JOB NAME / NUMBER \_\_\_\_\_



Shown with optional Double Pantry Faucet and Bracket

### Short Form Specifications

Shall be CLEVELAND, Tilting Skillet Model Number SEL-\_\_\_\_-T1, electric ( \_\_\_\_ KW, \_\_\_\_ Volts ) holding no less than ( \_\_\_\_ gallons); Complete with thermostatic and Safety Controls, Gallon/Liter Markings, 5/8" Stainless Steel Clad Cooking Surface with Bead Blasted Finish, Easy to use Manual Hand Tilt, Spring Assist Cover with adjustable Vent, Adjustable Feet with Rear Flanged and Front Bullet Style, Gallon/Liter Markings and Splash Proof Controls

### Options & Accessories

- Power Tilt with Manual Override (PT1)
- 2" (50 mm) Tangent Draw-Off Valve (TD2)
- Double or Single Pantry Faucet (SPS, DPS)
- Faucet Bracket (FBKT1)
- Pan Carrier (PCS)
- Vegetable Steamer Baskets (VS)
- Hot & Cold Water Pre-Rinse Spray Head with Hose (PRS-S)
- Poaching Pans (PP)
- High Wattage Option (HW)  
16KW on 30 gallons, 24KW on 40 gallons

## DIMENSIONS

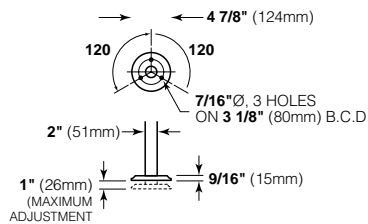
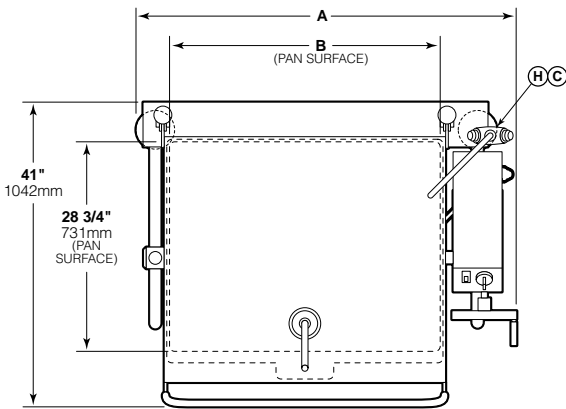
MODEL	A	B	C	D	F	G	APPROXIMATE SHIPPING WEIGHTS
SEL-30-T1	39 1/8"	24 1/2"	31 3/4"	12"	18 1/4"	5 3/4"	SEL-30-T1
	(994mm)	(623mm)	(807mm)	(305mm)	(464mm)	(146mm)	390 LBS. (178 KG.)
SEL-40-T1	51 1/8"	36 1/2"	43 3/4"	18"	24 1/4"	5 3/4"	SEL-40-T1
	(1299mm)	(928mm)	(1112mm)	(458mm)	(616mm)	(146mm)	410 LBS. (187 KG)

## CAPACITIES

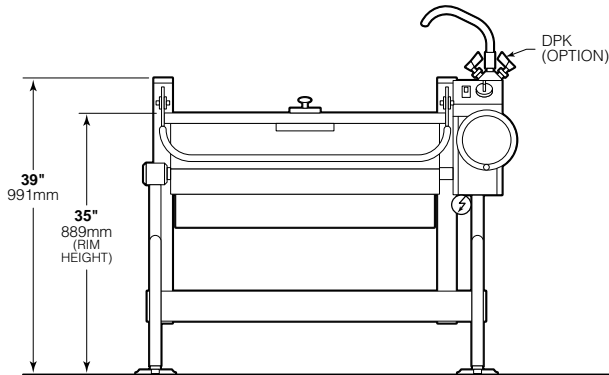
In 4 oz. servings. Other sizes may be calculated.  
 30 gallons / 115 Liters.....960  
 40 gallons / 150 Liters.....1280

## SPECIFICATIONS

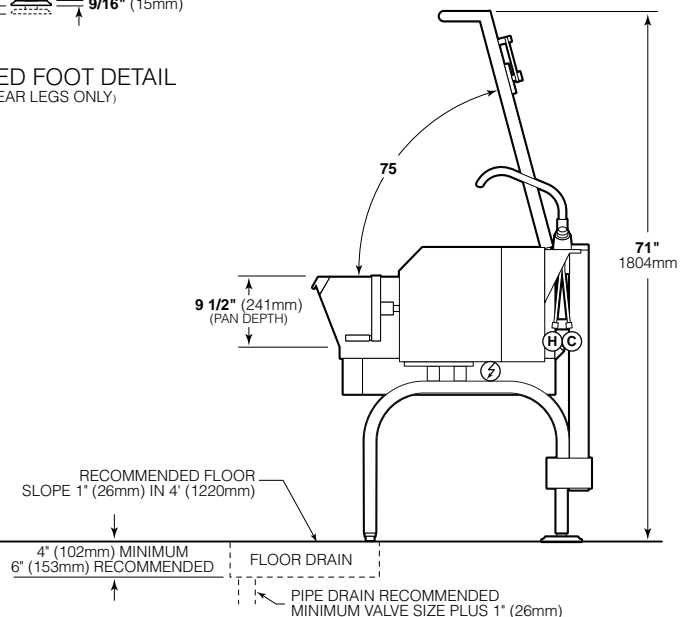
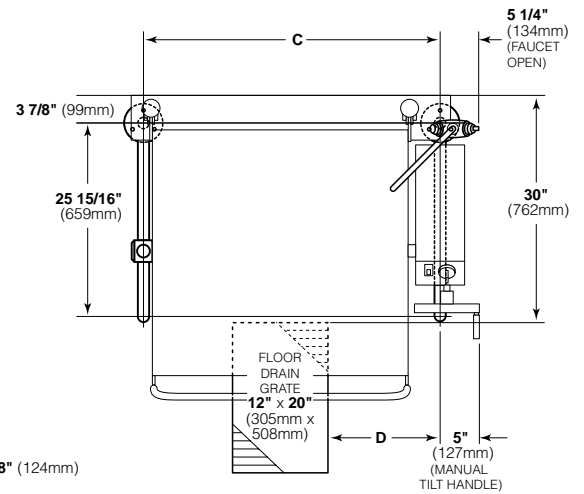
ELECTRICAL SUPPLY								CLEARANCE	
MODEL	WATTAGE	KW	208V		240V		480V	RIGHT:	
			AMPS		AMPS			3" (77mm) (manual tilt)	
SEL-30-T1	Standard	12	33.3	57.7	28.9	50	14.5	0" (power tilt)	
	High	16	44.4	77	38.6	66.7	19.3	LEFT: 0", REAR: 0"	
SEL-40-T1	Standard	18	50	86.5	43.4	75	21.6	APPROVALS	
	High	24	66.7	NA	57.8	NA	28.9	UL ✓	CSA ✓



FLANGED FOOT DETAIL  
(REAR LEGS ONLY)



## LEG LOCATION & SUGGESTED FLOOR DRAIN DETAIL



## NOTES:

Cleveland Range reserves right of design improvement or modification, as warranted.  
 Many regional, state and local codes exist and it is the responsibility of the owner and installer to comply with the codes.  
 Cleveland Range equipment is built to comply with applicable standards for manufacturers.  
 Included among those approval agencies are U.L., NSF, CGA, CSA, ETL and others.

(NOT TO SCALE)

SECT. XII PAGE 10

1201

Litho in U.S.A.

## CLEVELAND RANGE SEL T1 SEQUENCE OF OPERATIONS

*When using these instructions refer to the SEL-T1 wiring schematic.*

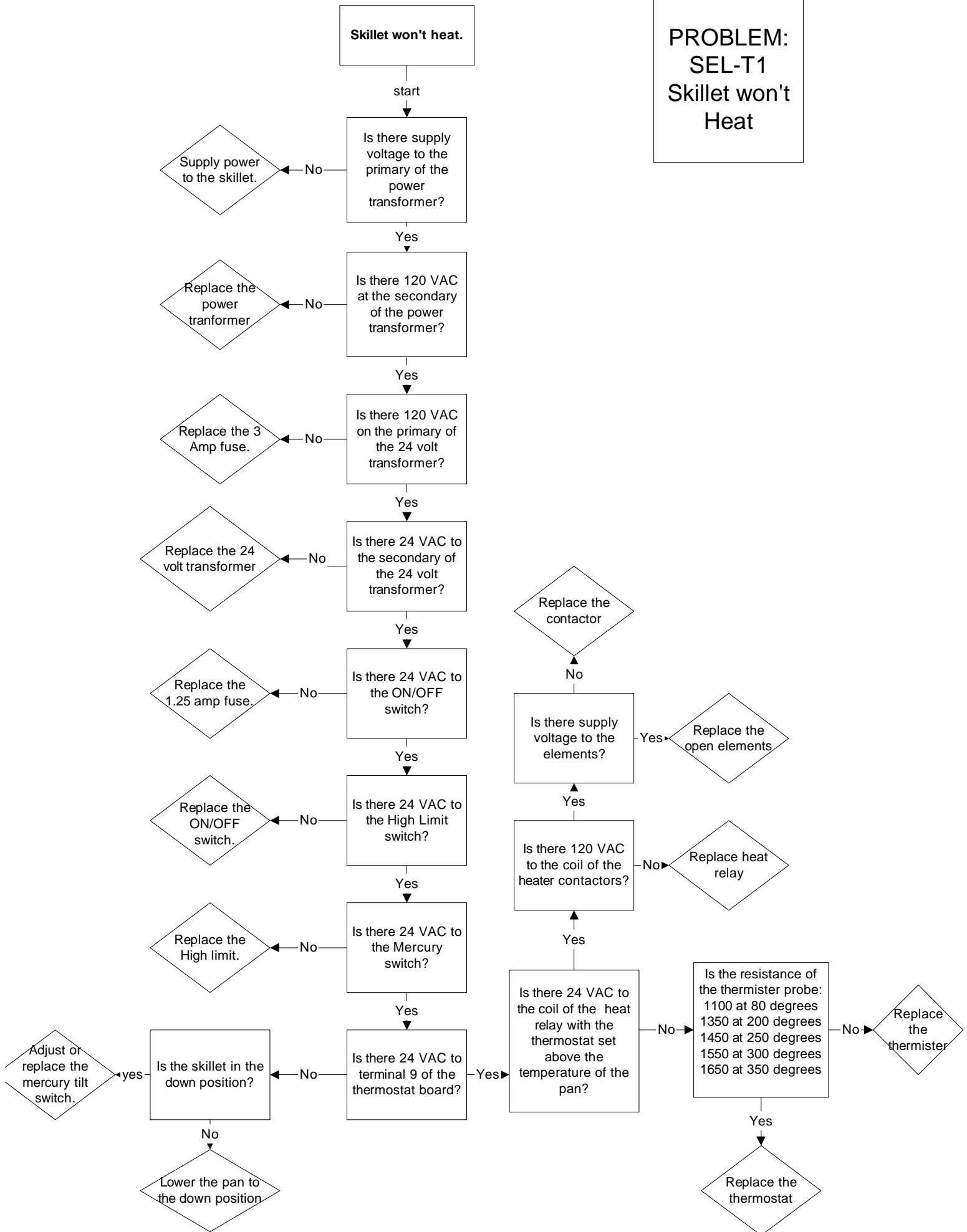
1. Supply Voltage is sent to the primary of the 120 VAC transformer.
2. Supply voltage is sent to the normally open contacts of the Heat Contactors, C1 and C2.
3. 120 VAC is sent from the secondary of the 120VAC transformer through the 3 amp fuse to
  - The primary of the 24 VAC transformer
    - 24 VAC is sent from the secondary of the 24VAC transformer through the 1.25 amp fuse to the on/off switch.
  - Contacts of the R1 Heat Relay
4. 120 VAC is sent from the secondary of the 120 VAC transformer to the optional Power Tilt Circuit (See step 9).
5. With the On/Off switch in the On position.
  - 24 VAC is sent through the normally closed high limit switch to the mercury switch..
  - If the skillet is in the down position then 24 VAC is sent through mercury switch to pin 9 on the thermostat.
6. If the skillet is calling for heat the 24 VAC is sent from pin number 10 to R1 Heat Relay.
  - The normally open contacts of the Heat relay close sending 120 VAC to the Heat contactor coils C1 and C2.
7. The Contactor close and supply Voltage is sent to the elements.
  - The elements heat until the thermostat is satisfied.
8. When thermostat is satisfied, 24 VAC is removed from pin 10 on the thermostat and the heat circuit is de-energized.
9. If the skillet has the optional Power Tilt option and is in the down position, 120 VAC is sent from the secondary of the 120 VAC transformer through the circuit breaker and the up limit switch to the tilt switch.
10. With the tilt switch in switch in the Up position
  - 120 VAC is sent to the Bridge Rectifier
    - 115 VDC is sent from the rectifier through the 30-ohm resistor to the normally open RY10 and RY11 relay contacts.
  - 120 VAC is sent to the RY10 relay coil.
  - The normally open RY10 contact close and 90 VDC is sent to the DC motor

- The DC motor is energized and the skillet tilts until the switch is released or the up limit switch opens.

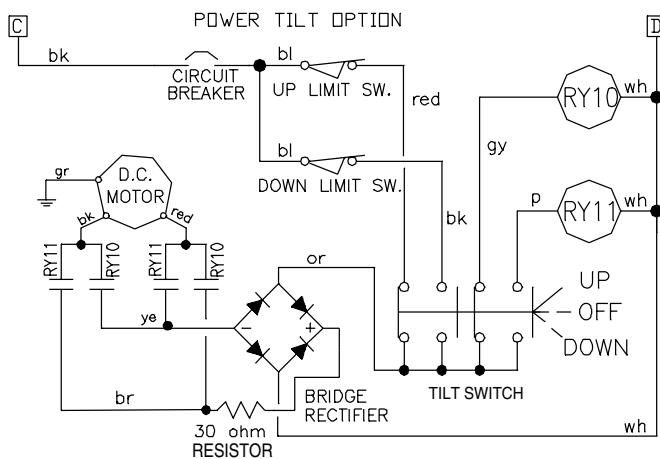
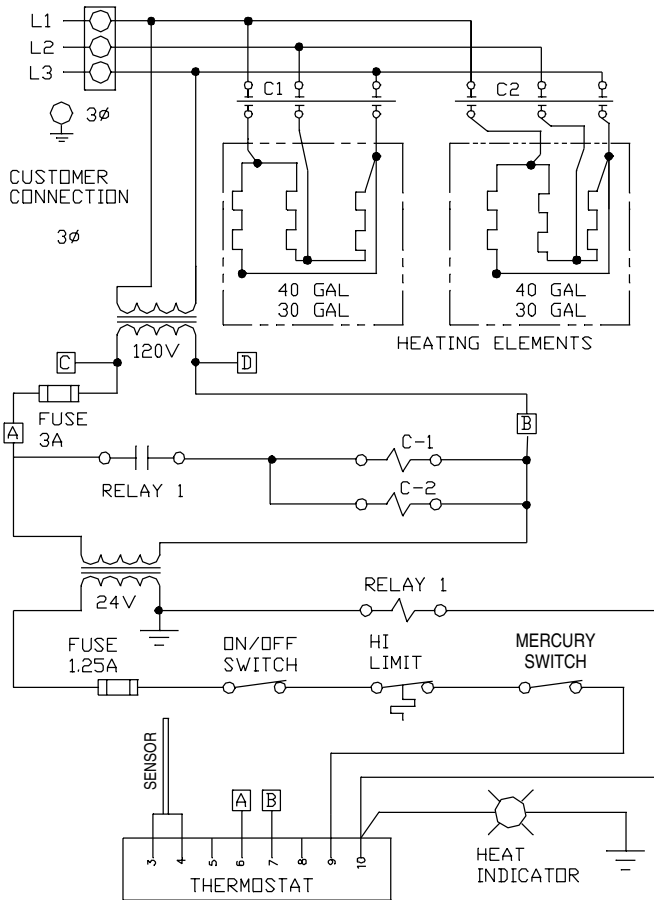
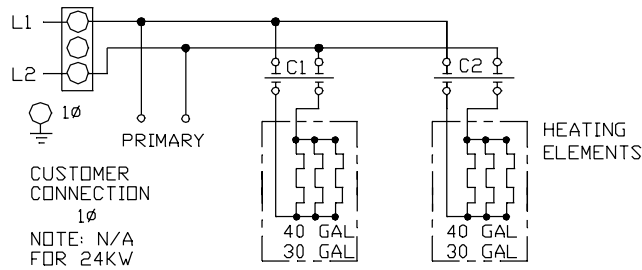
11. With the Tilt switch in the Down position

- 120 VAC is sent to the Bridge Rectifier
  - 115 DC is sent from the rectifier through the 30-ohm resistor to the normally open RY10 and RY11 relay contacts.
- 120 VAC is sent to the RY11 relay coil.
- The normally open RY11 contact close and the polarity of the 90 VDC is reversed.
- The DC motor is energized and the skillet lowers until the switch is released or the Down limit switch opens.

**PROBLEM:  
SEL-T1  
Skillet won't  
Heat**



# WIRING DIAGRAM



SEL-30/40-T1

SK90126-2

## ELECTRICAL COMPONENT PART #s

FUSE 3A	KE52936-6	10
FUSE 1.25A	KE52936-8	10
RELAY 1	2475500	12

### HEATING ELEMENTS -

SEE "PAN MOUNT ASSEMBLY" ON PAGE # 8

ON/OFF SWITCH	2474103	11
HIGH LIMIT	KE55069-7	8
THERMOSTAT	SE00119	11
SENSOR	SK50933-1	8
HEAT INDICATOR	SK50905-1	16
CIRCUIT BREAKER	KE50579-1	10
MERCURY SWITCH	KE50294-1	10
LIMIT SWITCH	KE51007	9
RY10 (RELAY)	KE50753-10	12
RY11 (RELAY)	KE50753-10	12
DC MOTOR	KE52832-4	11
BRIDGE RECTIFIER	KE50581	12
RESISTOR	SK50930	12
TILT SWITCH	KE53137-3	11
- SECTION	KE53184	11
- CONTACT BLOCK	KE53138-1	11