

# Installation Manual

## Installation and Maintenance Instructions

### The MINI



**Model Number: OES-6.08**

1333 East 179<sup>th</sup> Street  
Cleveland, Ohio 44110  
Phone: (216) 481-4900  
Fax: (216) 481-3782  
[www.clevelandrange.com](http://www.clevelandrange.com)

 **Cleveland**

**FOR YOUR SAFETY**

Do not store or use gasoline or other flammable vapors or liquids in the vicinity of this or any other appliance.

**⚠ WARNING**

Improper installation, adjustment, alteration, service or maintenance can cause property damage, injury or death. Read the installation, operating and maintenance instructions thoroughly before installing or servicing this equipment.

**⚠ WARNING**

**Disconnect power at the main external power switch before servicing or repairing a MINI. Failure to disconnect power can result in death, injury, and property damage.**

**ALL SERVICE MUST BE PERFORMED BY A QUALIFIED CLEVELAND RANGE AUTHORIZED TECHNICIAN.**

**⚠ WARNING**

**Do not connect the MINI Combi/Oven-Steamer drain connection to any drain material that cannot sustain 140° Fahrenheit. Using drain material that cannot withstand 140° Fahrenheit can result in injury, equipment damage, and property damage.**

This Installation Manual is a part of your new MINI. You must keep and maintain it for the entire life span of your MINI and pass it on to the next owner of the MINI.

**KEEP THIS MANUAL FOR REFERENCE**

This manual may be subject to new technical developments, modifications, and unforeseen errors.

**DO NOT OPERATE OR ATTEMPT TO OPERATE THIS APPLIANCE OR ANY ACCESSORIES WITHOUT READING COMPLETELY AND FULLY UNDERSTANDING THIS MANUAL**

The MINI Convothem by Cleveland Combi/Oven-Steamers are intended for other than household use.

# Cleveland STATEMENT OF POLICIES

## LIMITED WARRANTY

CLEVELAND RANGE products are warranted to the original purchaser to be free from defects in materials and workmanship under normal use and service for the standard warranty period of one year from date of installation or 18 months from date of shipment, whichever ever comes first.

CLEVELAND RANGE agrees to repair or replace, at its option, f.o.b. factory, any part which proves to be defective due to defects in material or workmanship during the warranty period, providing the equipment has been unaltered, and has been PROPERLY INSTALLED, MAINTAINED, AND OPERATED IN ACCORDANCE WITH THE CLEVELAND RANGE OWNER'S MANUAL.

CLEVELAND RANGE agrees to pay any FACTORY AUTHORIZED EQUIPMENT SERVICE AGENCY (within the continental United States, and Hawaii) for reasonable labor required to repair or replace, at our option, f.o.b. factory, any part which proves to be defective due to defects in material or workmanship, during the labor warranty period. This warranty includes travel time not to exceed two hours and mileage not to exceed 50 miles (100 miles round-trip), BUT DOES NOT INCLUDE POST START-UP, TIGHTENING LOOSE FITTINGS, MINOR ADJUSTMENTS, MAINTENANCE, CLEANING OR DESCALING.

The standard labor warranty allows factory payment of reasonable labor required to repair or replace such defective parts. Cleveland Range will not reimburse the expense of labor required for the repair or replacement of parts after the standard warranty period, unless an Extended Labor Warranty Contract has been purchased to cover the equipment for the balance of the warranty period from the date of equipment installation, start-up, or demonstration.

PROPER INSTALLATION IS THE RESPONSIBILITY OF THE DEALER, THE OWNER-USER, OR INSTALLING CONTRACTOR, AND IS NOT COVERED BY THIS WARRANTY. Many local codes exist, and it is the responsibility of the owner and installer to comply with these codes. Cleveland Range equipment is built to comply with applicable standards for manufacturers, including UL, ANSI, NSF, ASME/Ntl. Bd., CSA, and others.

BOILER (Steam Generator) MAINTENANCE IS THE RESPONSIBILITY OF THE OWNER-USER AND IS NOT COVERED BY THIS WARRANTY. The use of good quality feed water is the responsibility of the Owner-User (see Water Quality Recommendations below). THE USE OF POOR QUALITY FEED WATER WILL VOID EQUIPMENT WARRANTIES. Boiler maintenance supplies, including boiler hand hole gaskets, are not warranted beyond the first 90 days after the date the equipment is placed into service. Preventive maintenance records must be available showing descaling per applicable Cleveland Operator Manual for Boiler Proration Program considerations.

### WATER QUALITY RECOMMENDATIONS

|                        |              |                      |
|------------------------|--------------|----------------------|
| TOTAL DISSOLVED SOLIDS | less than    | 60 parts per million |
| TOTAL ALKALINITY       | less than    | 20 parts per million |
| SILICA                 | less than    | 13 parts per million |
| CHLORIDE               | less than    | 30 parts per million |
| pH FACTOR              | greater than | 7.5                  |

The foregoing shall constitute the sole and exclusive remedy of original purchaser and the full liability of Cleveland Range for any breach of warranty. THE FOREGOING IS EXCLUSIVE AND IN LIEU OF ALL OTHER WARRANTIES, WHETHER WRITTEN, ORAL, OR IMPLIED, INCLUDING ANY WARRANTY OF PERFORMANCE, MERCHANTABILITY, OR FITNESS FOR PURPOSE, AND SUPERSEDES AND EXCLUDES ANY ORAL WARRANTIES OR REPRESENTATIONS, OR WRITTEN WARRANTIES OR REPRESENTATIONS, NOT EXPRESSLY DESIGNATED IN WRITING AS A "WARRANTY" OR "GUARANTEE" OF CLEVELAND RANGE MADE OR IMPLIED IN ANY MANUAL, LITERATURE, ADVERTISING BROCHURE OR OTHER MATERIALS.

CLEVELAND RANGE'S liability on any claim of any kind, including negligence, with respect to the goods or services covered hereunder, shall in no case exceed the price of the goods or services, or part thereof, which gives rise to the claim. IN NO EVENT SHALL CLEVELAND RANGE BE LIABLE FOR SPECIAL, INCIDENTAL, OR CONSEQUENTIAL DAMAGES, OR ANY DAMAGES IN THE NATURE OF PENALTIES.



**INSTALLATION OF THE MINI**  
**Table of Contents**

| <b>Chapter</b> |   | <b>Page</b> |
|----------------|---|-------------|
| <b>1</b>       | <b>GENERAL INFORMATION.....</b>   | <b>1</b>    |
|                | A. Product Information.....   | 1           |
|                | B. Model Number.....  | 1           |
|                | C. Serial Number and Equipment Record.....  | 1           |
|                | D. Product Information Plate.....   | 1           |
| <b>2</b>       | <b>INSTALLATION INSTRUCTIONS.....</b>   | <b>2</b>    |
|                | A. Laws, Codes and Regulations.....   | 2           |
|                | B. Inspect for Shipping Damage.....   | 2           |
|                | C. General Instructions.....  | 2           |
|                | D. Install the MINI.....  | 4           |
|                | 1. Select a Location for the MINI.....  | 4           |
|                | 2. Exhaust Hood Requirements.....   | 4           |
|                | 3. Dimensions and Clearances.....   | 5           |
|                | 4. Sensible and Latent Heat Values.....   | 5           |
|                | 5. Air Supply.....  | 5           |
|                | E. Water Connections for the MINI.....  | 6           |
|                | 1. Install Water Supply.....  | 6           |
|                | 2. Water Supply Requirements.....   | 6           |
|                | 3. Connect Water Supply Lines.....  | 7           |
|                | 4. Test Water Supply Lines.....   | 7           |
|                | F. Electric Connections for the MINI.....   | 9           |
|                | 1. Install Electric Power Lines.....  | 9           |
|                | 2. Electrical Connection Data.....  | 9           |
|                | G. General Information for ALL MINIs.....   | 10          |
|                | H. Install Free Air Vented Drain Lines from the MINI to the Existing Floor Drain..... | 10          |
| <b>3</b>       | <b>STARTUP PROCEDURE.....</b>   | <b>13</b>   |
|                | A. Installation Check List.....   | 14          |
|                | B. In the Event of a Power Failure.....   | 15          |
|                | C. Startup Procedure.....   | 15          |

# CHAPTER 1

## GENERAL INFORMATION

---

### A. Product Information

Cleveland Range assigns two product identification numbers to each MINI: a model number and a serial number. The model number identifies the product characteristics. The serial number identifies the individual unit.

### B. Model Number

1. This manual covers installation of The MINI Convotherm by Cleveland Combi/Oven-Steamer.
2. For further information, contact your Cleveland Range sales representative or Cleveland Range.

### C. Serial Number and Equipment Record

During manufacture, MINIs are assigned individual serial numbers. Please provide the following information when you contact Cleveland Range or a qualified Cleveland Range authorized service representative:

Serial Number \_\_\_\_\_  
(Write the Serial Number of your MINI here.)

Model Number \_\_\_\_\_  
(Write the Model Number of your MINI here.)

### D. Product Information Plate

The Product Information Plate on the left side of the unit lists the model, serial number, electric, and wiring requirements of the appliance.

## CHAPTER 2

### INSTALLATION INSTRUCTIONS

---

#### A. Laws, Codes, and Regulations

This equipment should be installed only by qualified, professional plumbers, pipe fitters, and electricians.

1. The installation of this appliance must conform with:
  - a. The National Electrical Code, ANSI/NFPA 70 (latest edition), or the Canadian Electrical Code, CSA C22.2, or local codes, as applicable.
    - When installed, the appliance must be electrically grounded in accordance with the above.
    - NOTE: This appliance is not GFI (GFCI) compatible.
  - b. The *Food Code* (latest edition) of the Food and Drug Administration (FDA).
2. This equipment is to be installed to comply with the applicable federal, state, or local plumbing codes.
3. Installation instructions must be read in their entirety before starting installation of this appliance.
4. Install this appliance according to the policies and procedures outlined in this manual.
5. Installation must comply with all local fire and health codes.

### DANGER

Improper installation, adjustment, alteration, service, or maintenance of this appliance, or installation of a damaged appliance can result in DEATH, INJURY, EQUIPMENT DAMAGE, and void the warranty. NEVER install damaged appliances, equipment, or accessories. ALWAYS have installation and service performed by qualified Cleveland Range authorized personnel.

#### B. Inspect for Shipping Damage

- If the appliance is damaged or damage is suspected:
  - 1) Submit a Damage Claim to the Shipper immediately.
  - 2) Inform your dealer at once.
  - 3) Inform Cleveland Range in writing within three (3) days.

### DANGER

Operating this appliance out of level can cause DEATH, INJURY, and EQUIPMENT DAMAGE. This appliance must be level both front-to-back and side-to-side in all installations. NEVER operate this appliance out of level. If this appliance is suspected to be out of level, shut it down at once and call your qualified Cleveland Range authorized service agency immediately.

#### C. General Instructions

1. Select the MINI's operating location.
2. Complete the water, drain, and electric lines before positioning and leveling the MINI.
3. Position and level the MINI.
4. Connect the utility lines after positioning and leveling the MINI.
5. Call Cleveland Range at 216-481-4900 for the Free Start-Up Program's Performance Checkout.
6. After Setup and Performance Checkout, the MINI should provide years of reliable operation.

## DANGER

**Improper lifting can result in DEATH, INJURY, AND EQUIPMENT DAMAGE.  
Use enough workers with training and experience lifting heavy equipment to place  
MINIs on supporting surfaces, and lift and handle MINIs and accessories.**

## DANGER

**Operating an out of level MINI can cause DEATH, INJURY, and EQUIPMENT DAMAGE.  
MINIs must be level both front-to-back and side-to-side in all installations.  
NEVER operate an out of level MINI.  
If a MINI is suspected to be out of level, shut it down at once and call you qualified  
Cleveland Range authorized service agency at once.**

## WARNING

All clearance requirements above, below, and around the MINI are the same for non-combustible locations as for combustible locations.  
Failure to maintain required clearances and additional distances as needed can result INJURY and EQUIPMENT DAMAGE.  
Consult manufacturers' literature, and sales and service agencies as needed.

**D. Install the MINI**

**1. Select a Location for the MINI**

- a. For safe and efficient operation, observe the following criteria when selecting an operating location for a MINI
- b. Transport the MINI on its pallet.
- c. Passages and doors must be high enough and wide enough for a MINI and its pallet. See Table 2-1.
- d. Location selected must be capable of supporting a MINI. See Table 2-1.
- e. The area **MUST** be free from and clear of combustible materials.
- f. **KEEP THE MINI AREA FREE AND CLEAR FROM COMBUSTIBLES.**
- g. Level the floor if needed.
- h. The operating surface must be level enough to allow leveling a MINI with its adjustable legs.
- i. A MINI **MUST** be level both front to back and side to side.
- j. Position the MINI so it will not tip or slide.
- k. The ambient temperature should be within 40° and 95° F.
- l. Proper air supply for ventilation is **REQUIRED** for and **CRITICAL** to safe, efficient operation of a MINI.
- m. Operating Clearances: Sides and Rear - 3".
- n. Service Clearance: Above - 20".
- o. Allow for sufficient distance if a "high heat source" (e.g. broiler) is located next to the unit
- p. Allow for sufficient clearance on left side for service access. Contact Cleveland Range at 216-481-4900 for recommendations.
- q. Allow extra clearance on the side if the appliance has the optional hand shower.
- r. Installation must comply with all local fire and health codes.
- s. Do not install the MINI directly over a drain. Steam rising up out of the drain will adversely affect operation, hamper cooling air circulation, and damage electrical and electronic components.
- t. Do not obstruct the flow of ventilation air. Make sure the air vents of the MINI are not blocked.

**TABLE 2-1 WEIGHT AND DIMENSIONS INCLUDING PALLET AND CRATE**

| The MINI MODEL | WEIGHT | WIDTH  | DEPTH  | HEIGHT |
|----------------|--------|--------|--------|--------|
| 6.08           | 143 lb | 22.84" | 32.65" | 31.5"  |

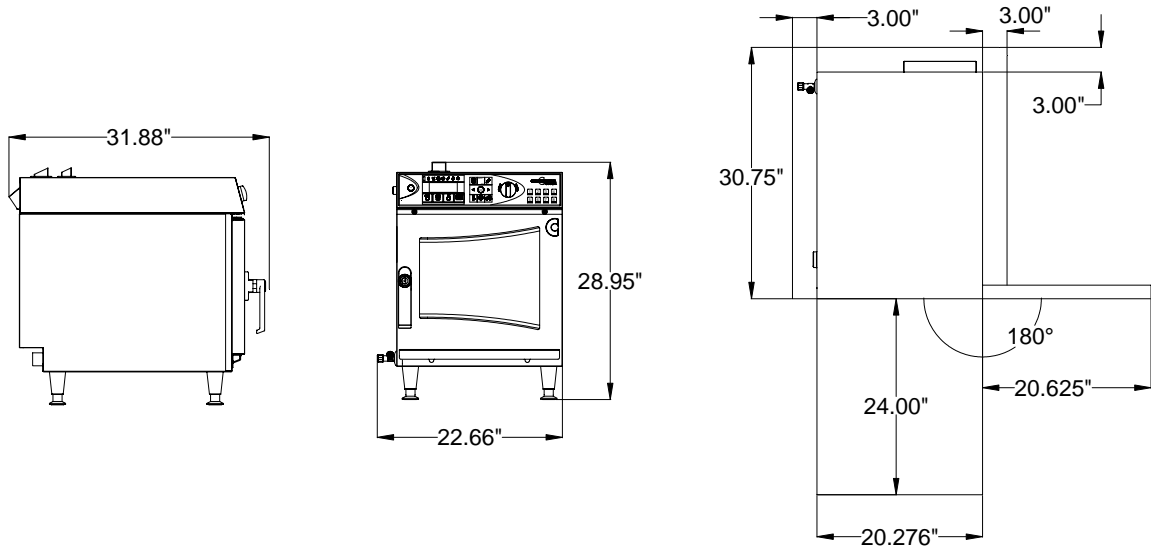
**2. Exhaust Hood Requirements**

- a. Install the MINI under an Exhaust Hood.
- b. The exhaust hood must extend over the exhaust ports and meet the following requirements:
  - 1) The Exhaust hood must be sized for the cumulative ventilation requirements of all the appliances in the area under the hood, including the MINI.
  - 2) If an existing hood cannot be used, a new one must be constructed over the MINI.
  - 3) When determining hood size; include Operating Clearances of 3 inches sides and rear, and Service Clearance of 20 inches overhead. See Table 2-2

**TABLE 2-2 OPERATING WEIGHT AND DIMENSIONS**

| The MINI MODEL | WEIGHT | WIDTH | DEPTH | HEIGHT |
|----------------|--------|-------|-------|--------|
| 6.08           | 110 lb | 20.3" | 31.3" | 27.7"  |

### 3. Dimensions and Clearances



#### Appliance Dimensions:

|        |        |
|--------|--------|
| Width  | 20.3"  |
| Depth  | 31.3"  |
| Height | 27.7"  |
| Weight | 110 lb |

Appliance must be installed level

Operating Clearances: Left-Right: 3", Back: 3"

Service Clearance: Above: 20" (ventilation)

Allow extra clearance on the left side if the appliance has the optional hand shower.

### 4. Sensible and Latent Heat Values

#### Ventilation

Sensible heat output 1100 kJ/h 1043 BTU/h

Latent heat output 1000 kJ/h 948 BTU/h

### 5. Air Supply

- Keep all air intake vents clear, clean, and free of obstruction.
- Observe all applicable codes for ventilation.

## E. Water Connections for the MINI

### 1. Install Water Supply

- a. Install the water supply before positioning the MINI.
- b. Water supply line(s) must be designed so the MINI can be moved for service.
- c. Construct all supply lines up to the point of installing the MINI.
- d. Flush the water supply lines before connecting the MINI to the water supply lines.
- e. A water filtration system is recommended for all MINIs. Contact Cleveland Range at 216-481-4900 for details.

### 2. Water Supply Requirements

## NOTICE

Using water outside the limits specified in this manual without appropriate adjustment in the maintenance schedule voids warranty coverage.

#### a. Water Quality

- 1) Check the quality of supply water (described below) before designing the water supply.
- 2) Contact a local water treatment specialist for on-premises water analysis.
- 3) Minimum feed water quality requirements are listed in Table 2-3.
- 4) Poor water supply quality degrades MINI performance.
- 5) Softened or chlorinated water damages the MINI by increasing corrosion. Carbon type filters are required before water enters the MINI if supply water is softened or chlorinated.
- 6) If a water treatment system must be installed to achieve acceptable water quality, install it **BEFORE** connecting the water supply lines to a MINI.
- 7) If analysis shows that supply water is below Minimum Water Quality:
  - **EITHER** a water treatment system and/or carbon filter must be installed in the line feeding the spritzer,
  - **OR** the frequency of maintenance and cleaning must be increased beyond that recommended in the maintenance schedule,
  - **AND** Contact your Cleveland Range sales representative for details on how to provide water per Minimum Water Quality Requirements in Table 2-3, or how to increase the frequency of maintenance and cleaning.

**Table 2-3 Minimum Water Quality Requirements**

| <u>Scale Forming Factors</u>     | <u>Concentrations must be:</u>  |
|----------------------------------|---------------------------------|
| Total Dissolved Solids           | less than 60 parts per million  |
| Silica                           | less than 13 parts per million  |
| Alkalinity                       | less than 20 parts per million  |
| <u>Corrosion-Causing Factors</u> | <u>Concentrations must be:</u>  |
| Free Chlorine                    | less than 0.5 parts per million |
| Chloride                         | less than 30 parts per million  |
| pH factor                        | greater than 7.5                |

#### b. Water Supply System Pressure Requirements

The water supply must provide:

- A minimum dynamic pressure of 35 psi (2.4 kg/cm<sup>2</sup>)
- A maximum static pressure of 60 psi (4.1 kg/cm<sup>2</sup>).

### 3. Connect Water Supply Lines

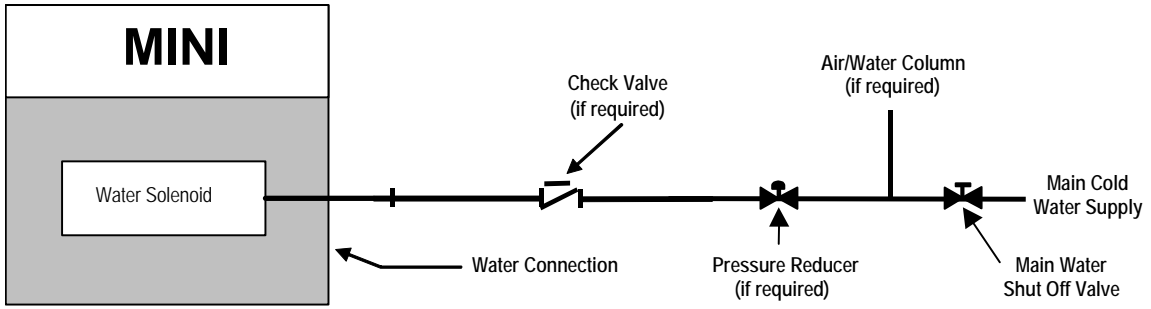
The Installer/Owner is responsible for the correct water connection of the MINI. When connecting water supply lines observe the following instructions, and any and all other applicable national, state, and local codes and regulations:

#### a. Connect the MINI to COLD WATER

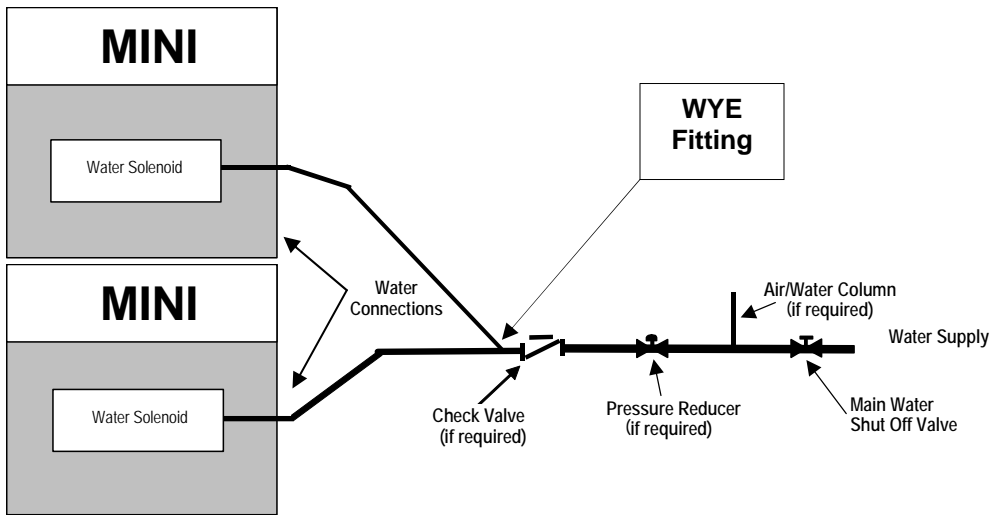
- b. Never connect the MINI to HOT WATER! The condenser system will not work properly if connected to HOT or WARM water.
- c. The water supply must have a minimum dynamic (flow) pressure of 35 psi (2.4 kg/cm<sup>2</sup>) and a maximum static pressure of 60 psi (4.1 kg/cm<sup>2</sup>).
- d. If the static pressure is above 60 psi, a pressure regulator must be used and set at approximately 50 psi. Pressure above 60 psi can damage solenoid valves.
- e. MINIs have one connection point for incoming water. See Figure 2-1.
- f. Stacked MINIs may be connected to the water supply as shown in Figure 2-2.
- g. Water supply must meet the minimum requirements shown in the Warranty and Table 2-3. Install a water treatment system as needed.
- h. Installation Requirements:
  - 1) Apply non-hardening pipe thread sealant to all the threaded connections **except** the 3/4" GHT Female (Garden Hose Thread or National Hose Thread) connections at the Water Connection. GHT or NHT connections do not require pipe thread sealant.
  - 2) Install a manual water shut-off valve (not provided) between main water supply lines and MINI supply lines.
  - 3) The National Sanitation Foundation (NSF) requires installation of a check-valve (or other approved anti-backflow / anti-siphon device) (not provided) in all supply lines in accordance with and as required by local, state, and national health, sanitation and plumbing codes.
  - 4) Check local codes to determine exactly what type of anti-backflow / anti-siphon device is necessary to meet local requirements.

### 4. Test Water Supply Lines

- a. Check all connections for proper tightness.
- b. Remove rear and top panels to inspect water connections inside the MINI.
- c. Open the water supply valves.
- d. Check all lines and connections for leaks, both inside and outside the MINI.
- e. Replace the top and rear panels and secure them to the MINI before starting the MINI.



**Figure 2-1**  
**Cleveland Range Water Supply Arrangement**

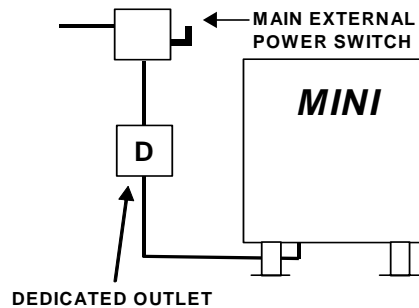


**Figure 2-2**  
**Cleveland Range Water Supply Arrangement for Stacked MINIs**

## F. Electric Connections for the MINI

### 1. Install Electric Power Lines

- a. Check the rating plate to make sure the MINI is compatible with the local electric supply.
  - The rating plate is located on the left side of the MINI.
  - The wiring diagram and the spare parts list are behind the rear access panel.
- b. The electrical supply must match all electrical and wiring requirements specified on the rating plate and must be made in accordance with the following requirements:
  - 1) The MINI must be properly grounded by the installer, and have the electrical power lines installed in accordance with:
    - The National Electric Code, ANSI/NFPA No. 70 LATEST EDITION (USA).
    - Canadian Electrical Code, CSA C22.2.
    - Any other applicable national, state, or local laws, codes, and regulations.
- c. A main external disconnect switch should be installed near the MINI as shown in Figure 2-3.
- d. A separate fuse or breaker sized to meet the line amps required by the MINI should be installed either as part of the main external power switch or in a separate fuse box.
  - The fuse or breaker and disconnect switch combination is called the “Main External Power Switch” (Figure 2-3).
  - This appliance is not suitable for connection to a GFI (GFCI). Do NOT use a (GFCI).
- e. Install a dedicated outlet for the MINI electrical plug (Figure 2-3). (Plug not supplied.)
- f. Attach a suitable plug to the MINI power cord per local code.
- g. Check all cable and wire connections for size, location, and tightness.
- h. Replace the top and rear panels and secure it to the MINI before starting the MINI.



**Figure 2-3**  
**Main External Power Switch**

### 2. Electrical Connection Data

- See the MINI Rating Plate for electrical connection data.
- Observe local codes.

## G. General Information for All MINIs

1. Keep the vents on the bottom and top of the MINI clear, clean, and free of obstruction.
2. The MINI must be level. Level the MINI from the bottom: Use the height adjustable legs of the MINI and a level so the MINI is level front-to-back and side-to-side.
3. Do not store anything on top of a MINI.
4. **Operating Clearances:** Sides and Rear – 3".
  - Allow for sufficient distance if a "high heat source," (e.g. broiler) is located next to the MINI.
  - Installation must comply with all local fire and health codes.
5. **Service Clearance:** Above – 20".
6. Keep the vents on the top and bottom of the MINI clear, clean, and free of obstruction.
7. The factory installed legs must be used and must not be removed.

## H. Install Free Air Vented Drain Lines from the MINI to the existing Floor Drain



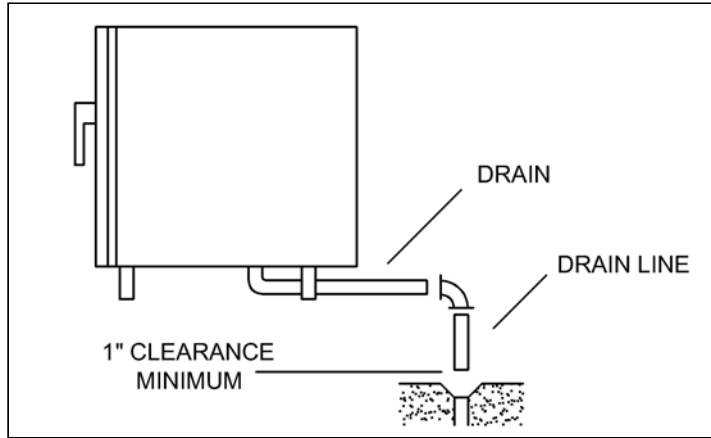
**Notice:** Furnishing and installing drain lines is the responsibility of the Owner/Installer.

**Notice:** If additional drainpipe is required (maximum length 12 feet), use at least 1 1/2" ID piping of an appropriate schedule and of a material suitable for sustained operation at 140°F. Joining clamps may be used to connect same size or larger size tubing to the existing drain.

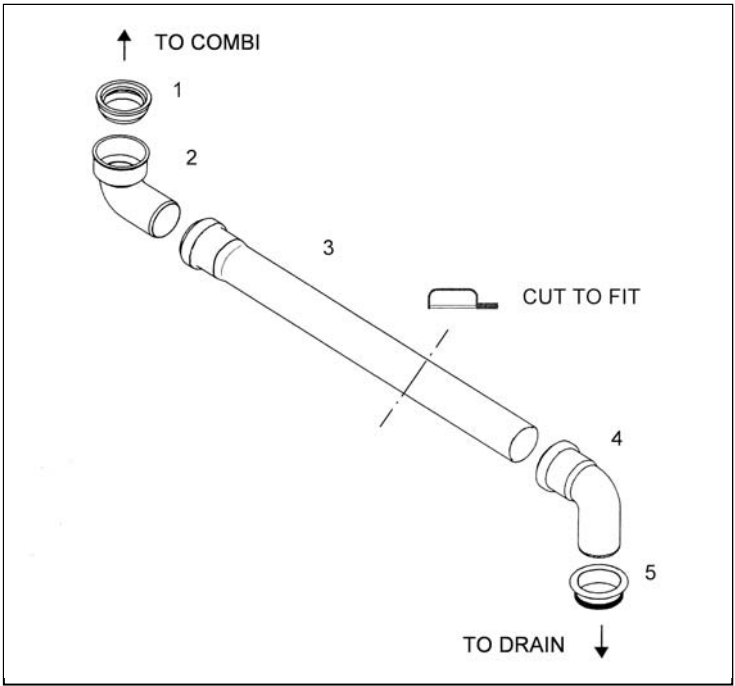
**The following restrictions and requirements are critical to the safety of personnel and equipment, and must not be violated under any circumstances:**

1. Do not connect the MINI drain connection to any drain material that cannot sustain 140° F.
2. Do not connect drains from any other equipment to the drain line of the MINI.
3. Do not connect the drain outlet extension line directly into a floor drain or a sewer line.
4. Do NOT connect the MINI drain directly to drains or to the plumbing of any other equipment.
5. The drain line must be free air vented, have gravity flow from the MINI, and terminate outside the perimeter of the MINI.
6. Improper installation of drain outlet lines voids the MINI warranty.
7. The drain lines must be installed in compliance with the Food Service Sanitation Manual of the Food and Drug Administration (FDA) and any other applicable national, state, or local codes and regulations.
8. This equipment is to be installed to comply with the applicable federal, state, or local plumbing codes.
9. Do not install the MINI directly over a drain. Steam rising up out of the drain will adversely affect operation, hamper cooling air circulation, and damage electrical and electronic components.
10. The total length of pipe and number of bend fittings required to reach the open drain determines the pipe size used to extend the drain line to an open drain.
  - If the drain outlet extension requires 6 feet or less of pipe, and no more than two elbows are required, 1 1/2-inch pipe and fittings are acceptable.

- If the drain outlet extension requires 6 to 12 feet of pipe, or requires three elbows, then 2-inch pipe and fittings are required.
  - The drain line must have gravity flow from the MINI drain outlet to floor drain.
  - Do not install a trap in the drain line.
11. Free air venting requires minimum 1" clearance between the end of the drain line and the top of the floor drain.
  12. Refer to Figure 2-10: Run (do NOT connect) the MINI drain from the MINI as described below:
    - a. Use Drain Kit, Cleveland Range Part No. C3416709. See Figure 2-5
    - b. Cut the tubing to length.
    - c. Run the tubing of appropriate type to the drain outlet.
    - d. Leave a minimum 1" clearance between the end of the drain line and the top of the floor drain.



**Figure 2-4**  
**Typical Drain Layout**



**Figure 2-5**  
**Drain Kit P/N C3416709**

**TABLE 2-5**  
**Drain Kit P/N C3416709**

| <b>NUMBER and DESCRIPTION for FIGURE 2-5</b> |  |
|--|--|
| 1  | GASKET, INTERNAL, DRAIN TO ELBOW,      |
| 2  | ELBOW, 87°,                            |
| 3  | PIPE, BELL END, 40mm x 500mm           |
| 4  | ELBOW, DRAIN CONNECTION,               |
| 5  | GASKET, EXTERNAL, ELBOW TO DRAIN PIPE, |

## CHAPTER 3 STARTUP PROCEDURE

---

### DANGER

#### ELECTRIC SHOCK HAZARD

**DEATH, INJURY, or EQUIPMENT DAMAGE** can result from touching any component inside a MINI when the power is connected to a MINI.

**Whenever possible disconnect the power while installing, servicing, or testing a MINI.**

**When installation, service, or tests require power to be connected to a MINI; use extreme caution and every possible precaution and safety measure while testing or servicing the MINI.**

### DANGER

**Hot air, steam, and condensate can cause DEATH, INJURY, and EQUIPMENT DAMAGE.**  
**Do NOT breathe hot air, steam, or condensate.**

**When checking inside the MINI: Stand to the hinge side and away from the MINI, and always open the door slowly.**

### WARNING

Water leaking from the door gasket can be a sign of a blocked drain. If the drain is blocked, hot water can accumulate inside the compartment and spill out when the door is opened causing **INJURY** and **EQUIPMENT DAMAGE**.  
When checking inside the MINI: Stand to the hinge side and away from the MINI, and always open the door slowly.

**A. INSTALLATION CHECK LIST**

**Table 2-6 Installation Check List**

| TASK   | REFERENCE<br>(Page Number) | COMPLETED |
|--|----------------------------|-----------|
| <u>Preparation</u>                           |                            |           |
| • Check Operating Location Clearances        | 4,10                       | _____     |
| • Test Supply Water Quality                  | 6                          | _____     |
| • Verify Electric Power Requirements.        | 1, 9                       | _____     |
| • Verify Exhaust Hood Requirements           | 4, 5                       | _____     |
| <u>Installation</u>                          |                            |           |
| • Check Exhaust Hood Function                | 4, 5                       | _____     |
| • Check Electrical Supply Connection         | 9                          | _____     |
| • Check Water Supply Connection              | 6-8                        | _____     |
| • Leak Test Water Supply Lines               | 7                          | _____     |
| • Verify MINI is Level                       | 10                         | _____     |
| • Check Drain Line Connection                | 10-12                      | _____     |
| • <b>Call for your Free Start-Up Program</b> | <b>2</b>                   | _____     |

**Notes:**

## B. IN THE EVENT OF A POWER FAILURE



### **POWER FAILURE SHUTDOWN INSTRUCTIONS**

**In the event of a power failure:**

- 1. Turn OFF the Main External Power Switch.**
- 2. Turn OFF Control Power Service Disconnect Switch.**
- 3. If the power failure is prolonged: turn OFF the water supplies.**
- 4. When power is restored: restart a MINI with the Startup Procedure.**

## C. STARTUP PROCEDURE

**Notice:** If the MINI has been delivered when the outside temperature is below 40° F then wait for the MINI to warm up to room temperature (about 72° F) before operating.

**Notice:** If the MINI has been delivered when the outside temperature is below 32° F then the cooking compartment high limit safety thermostat will be tripped. The cooking compartment high limit safety thermostat must be reset by a qualified Cleveland Range authorized service technician. Wait for the MINI to warm up to room temperature (about 72°F) before operating.

**Notice:** Remove the plastic cover from the tip of the Temperature Probe before starting the MINI.

1. After initial installation, check:
  - a. Fan Guard for correct installation.
  - b. Hanging Pan Racks for correct installation.
  - c. Test Water Supply Lines:
    - 1) Check all connections for proper tightness.
    - 2) Remove the rear panel of the MINI to inspect water connections inside the MINI.
    - 3) Open the water supply valves.
    - 4) Check all lines and connections for leaks, both inside and outside the MINI.
2. Replace the rear panel and secure it to the MINI.
3. To start the MINI for the FIRST time:
  - Turn ON the exhaust hood.
  - Turn ON the water supply valve(s).
  - Turn ON the Main External Power Switch.
  - Turn ON the MINI with the ON / OFF key.