



30 Pine Street • New Rochelle • New York • 10801

1 - 914 / 576 - 0200

1 - 914 / 576 - 0605 fax

1 - 800 - 431 - 2745 US & Canada

www.bakerspride.com web address

Y-800

Gas Deck Oven

PARTS LIST

UltraDeck 8

GAS PIZZA SERIES



(Shown with Optional Casters)

Model Number: **Y-800**

Serial Number _____

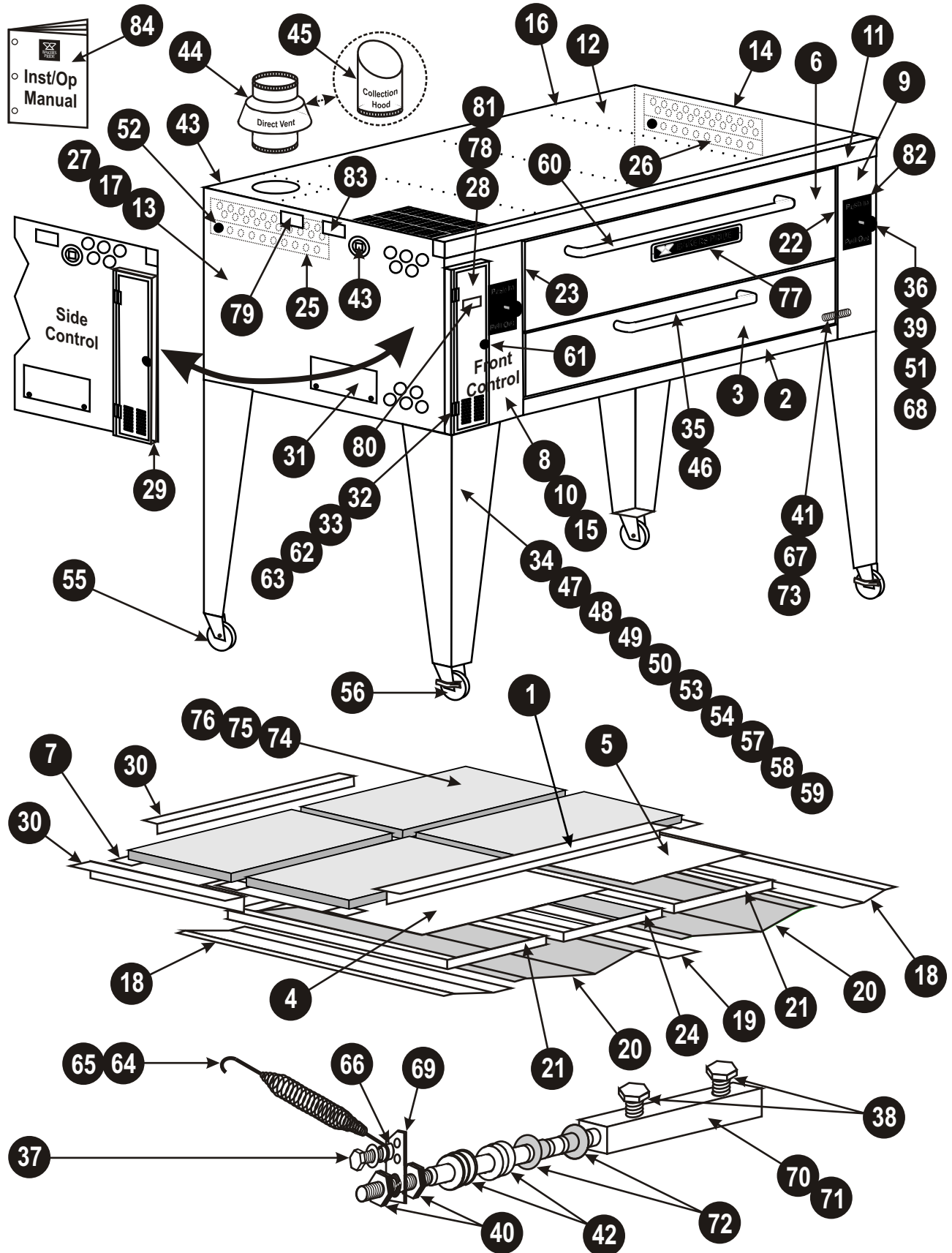
Type of Gas

Natural

L.P.

Other

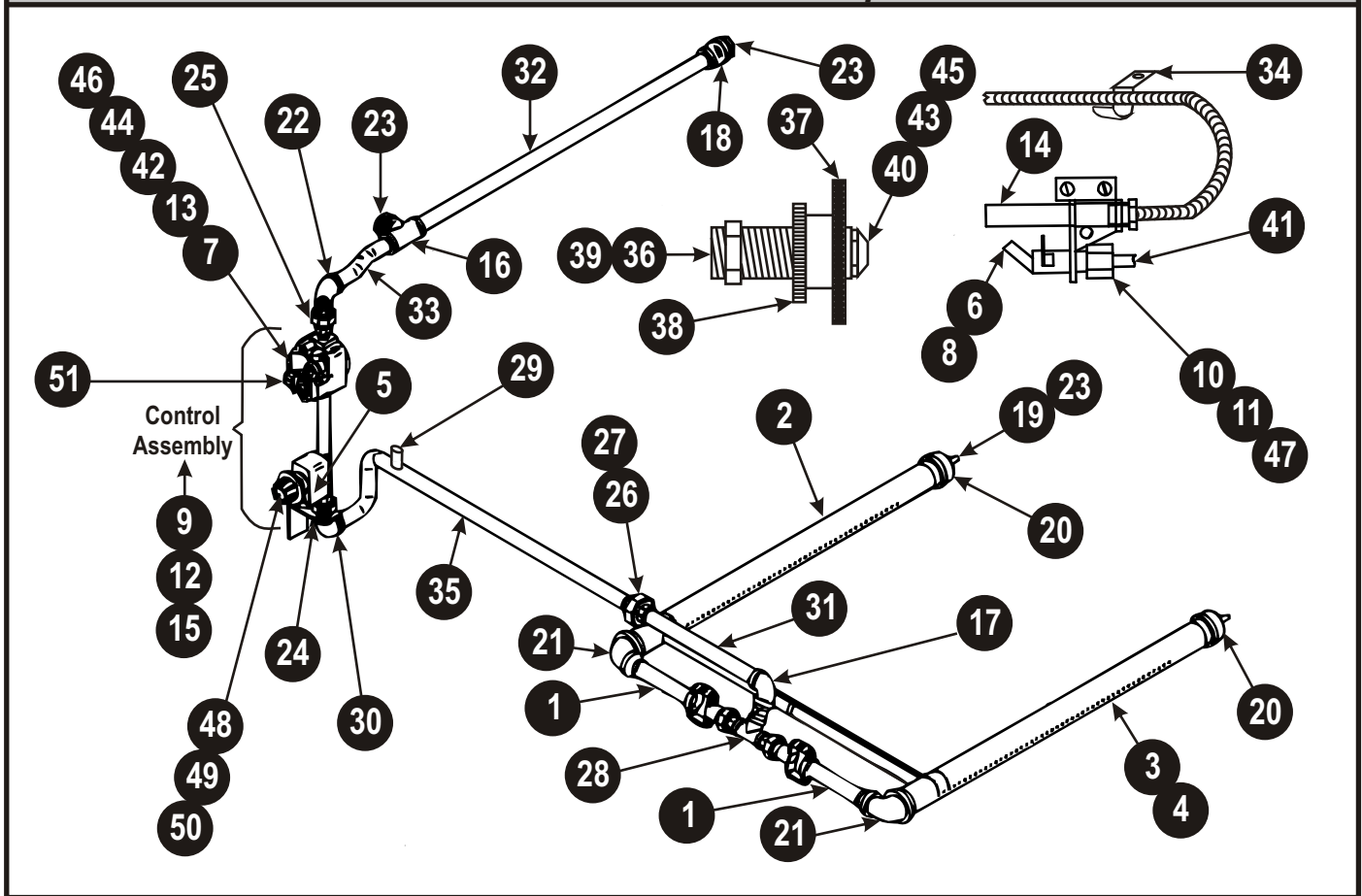
Exterior / Decks / Doors



Exterior / Decks / Doors

Item	Part #	Description	Item	Part #	Description
1	A1153X	Hearth Trim Assy, S/S (1)	43	R1062P	Gas Inlet Assy
2	A4001X	Bottom Apron, S/S	44	R3002Y	Flue Diverter, Direct Vent
3	A4128T	Door Assy, Bottom (Lght-Wght)	45	R3115Y	Flue Diverter, Collection Hood
4	A4134A	Hearth Liner Sheet, Lg, 43 1/2 (1)	46	S1002X	Handle w/2 Screws, Bottom Door (17 1/2")
5	A4135A	Hearth Liner Sheet, Sm, 22 3/4" (1)	47	S1003X	Leg, 16" (ea)
6	A4136T	Door Assy, Top (Light-Weight)	48	S1003Y	Legs, 16" (Set/4, w/Bolts)
7	A4140Z	Shim, Hearth (ea)	49	S1004X	Leg, 30" (ea)
8	A4184U	Front Panel Assy, Left (Front-Mt)	50	S1004Y	Legs, 30" (Set/4, w/Bolts)
9	A4185U	Front Panel Assy, Right	51	S1005A	Knob, Push-Pull, 3/8"-16
10	A4187U	Front Panel Assy, Left SS, (Side-Mt)	52	S1010A	Knob, Flue Slide
11	A4202X	Top Trim, S/S	53	S1018T	Leg, 12" (ea)
12	A4207X	Outer Top Assy, S/S	54	S1018Y	Legs, 12" (Set/4, w/Bolts)
13	A4211X	Outer Side, Left, S/S	55	S1022X	Caster, No Lock (ea)
14	A4215X	Outer Side, Right, S/S	56	S1023X	Caster, w/Lock (ea)
15	A4220U	Control Panel Assy, S/S	57	S1076X	S/S Leg Wrap, 12" (Set/2)
16	A4227U	Outer Back Assy, S/S	58	S1077X	S/S Leg Wrap, 16" (Set/2)
17	A4237K	Outer Side, Left SS, Fr-Half (Side-Mt/Tile)	59	S1078X	S/S Leg Wrap, 30" (Set/2)
18	A4262X	Flame Diverter, Side (2)	60	S1196X	Handle w/2 Screws, Top Door (30")
19	A4263X	Flame Diverter, Center (1)	61	S1346A	Latch, Mini Quarter Turn
20	A4265X	Flame Diverter, Slide Out 43" (2)	62	S1376A	Hinge, Blk, Type "A" (Bottom)
21	A4277X	Hearth Frame Assy, Side (2)	63	S1377A	Hinge, Blk, Type "B" (Top)
22	A4286K	Door Seal, Right Top	64	S3003X	Spring, Top Door, 1 1/8" x 9 3/4"
23	A4287K	Door Seal, Left Top	65	S3004X	Spring, Bottom Door 13/16" x 6 3/4"
24	A4292T	Hearth Frame Assy, Center (1)	66	S3007X	Teflon Bushing Assy
25	A4586T	Flue Slide Assy, Lower, Left	67	S3009X	Pin, Door, Right Side (9/16"-18 x 3")
26	A4587T	Flue Slide Assy, Lower, Right	68	S3036X	Push-Pull Rod
27	A4845K	Outer Side, Left SS, Fr-Half (Side-Mt BRICK)	69	S3056X	Lever, Door Spring (3 1/2")
28	A4937U	Access Door Assy, Front, S/S	70	S3128W	Door Rod Assy, Left Side Complete (3/4" x 17 1/2")
29	A4980T	Cont.Pnl Sleeve Assy, S/S	71	S3128X	Door Rod, Left Side (3/4" x 17 1/2")
30	K1099K	Wedge, Hearth, 30" (2)	72	S3135X	Bushing w/Insert, Door Rod (3/4")
31	K1209X	Access Cover, Left	73	S3138X	Sleeve Assy, Door Pin
32	Q1001A	Screw, 6-32 x 1/4", Rnd Hd, Slot (Hinge)	74	T1152X	Steel Baking Deck (Set/2) - Optional
33	Q1463A	Screw, 10 X 1/2", Truss Hd, Slot (Latch)	75	T1153X	Hearth Baking Deck, 22 x 33 x 1 1/2 (Set/4)
34	Q2102A	Bolt, Leg, 1/2-13 x 1 (ea) - Not Shown	76	T1153Y	Hearth Baking Deck, 22 x 33 x 1 1/2 (ea)
35	Q2206A	Screw, 5/16-18 x 1", Flat Hd, Slot (Handle)	77	U1043X	Bakers Pride Logo, (13 3/4")
36	Q2217A	Bolt, Push-Pull Rod (1)	78	U1240A	Label, Unit For Use Only With.....
37	Q2301X	Shoulder Bolt, 3/8-16 x 1"	79	U1243A	Label, Ventilation Hood, Bi-Ling
38	Q2303X	Bolt, Door Rod, 3/8-16 (2)	80	U1245A	Label, Gas Shut-Off Valve (Bi-Ling)
39	Q2306A	Nut, Push-Pull Rod (2)	81	U1333A	Label, Warning (Pizza oven/Cordierite)
40	Q2401X	Nut, Door Rod (9/16-18)	82	U1356A	Push-Pull Plate
41	Q3023X	Spacer Kit, Door Pin	83	U1364A	Label, Warning
42	Q3024X	Spacer Kit, Door Rod	84	U4007A	Gas Oven Installation/Operation Manual

Controls / Interior Components



Item	Part #	Description	Item	Part #	Description
1	L5001X	Inspirator #3	28	N3060P	Manifold Tee Assy (32 1/2")
2	L5048P	Burner w/Cap & Elbow, Left, 15 1/2" x 38 1/2"	29	N3068P	Pressure Tap Nozzle Assy
3	L5049P	Burner w/Cap & Elbow, Right, 15 1/2" x 38 1/2"	30	N5009A	Nipple
4	L5058X	Burner, Complete (To Union)	31	N5215A	Nipple
5	M1005X	Thermostat, Gas, FDTH (650°F, 340°C) 1/2"	32	N5220P	Nipple
6	M1220X	Pilot Burner, Natural, w/Ftgs, 2 CHA-1	33	N5232A	Nipple
7	M1221X	BMVR Valve Kit, LP - Not Shown	34	Q4021X	Capillary Clip
8	M1222X	Pilot Burner, LP, w/Fittings, 2 CHA-1	35	R1041P	Manifold Assy
9	M1242X	Control Assy, Nat BMVR 650°F	36	R3004A	Spud Holder #3
10	M1244X	Orifice, Pilot, Nat, 2 CHA-1 (.018")	37	R3005A	Adjusting Disc, #3
11	M1245X	Orifice, Pilot, LP, 2 CHA-1 (.010")	38	R3006A	Locking Disc, #3
12	M1248X	Control Assy, LP BMVR	39	R3007X	Spud Assy #3
13	M1260X	BMVR Valve Kit, Nat - Not Shown	40	R3008X	Orifice, Blank - Not drilled
14	M1265X	Thermopile Q313 (w/Armoured Cable)	41	R3036X	Pilot Tubing, S/S, 3/16" x 45"
15	M1300P	Control Assy, Nat Gas, CE (U7mvr) 650°F	42	R3104X	Valve, BMVR, Nat
16	N3002A	Tee	43	R3117X	Orifice, Nat, #25 Drill (2)
17	N3004A	Elbow	44	R3124X	Valve, BMVR, LP
18	N3007A	Coupling	45	R3129X	Orifice, LP, #43 Drill (2)
19	N3008A	Bushing, Reducing	46	R3137E	Valve Assy, U7000mvr CE Combi, Nat Gas
20	N3013A	Pipe Cap	47	R3182A	Ball Sleeve, Annealed (Use w/M1220A)
21	N3016A	Elbow	48	S1056X	Knob, Thermostat, 650F (Side Mount)
22	N3021A	Elbow	49	S1163X	Knob, Thermostat, CE, 340°C
23	N3022A	Plug	50	S1385A	Knob, Thermostat, 650°F, 3" Dia (Front Mount)
24	N3026M	Union, Male	51	S1453A	Knob, Combination Valve
25	N3027F	Union, Female	52	M1002X	Automatic Oven Starter (7 Day Timer) - Not Shown
26	N3028P	Union, Female	53	X1132Q	Packaging Kit (Y800 wo/Dome) - Not Shown
27	N3029P	Union, Male			