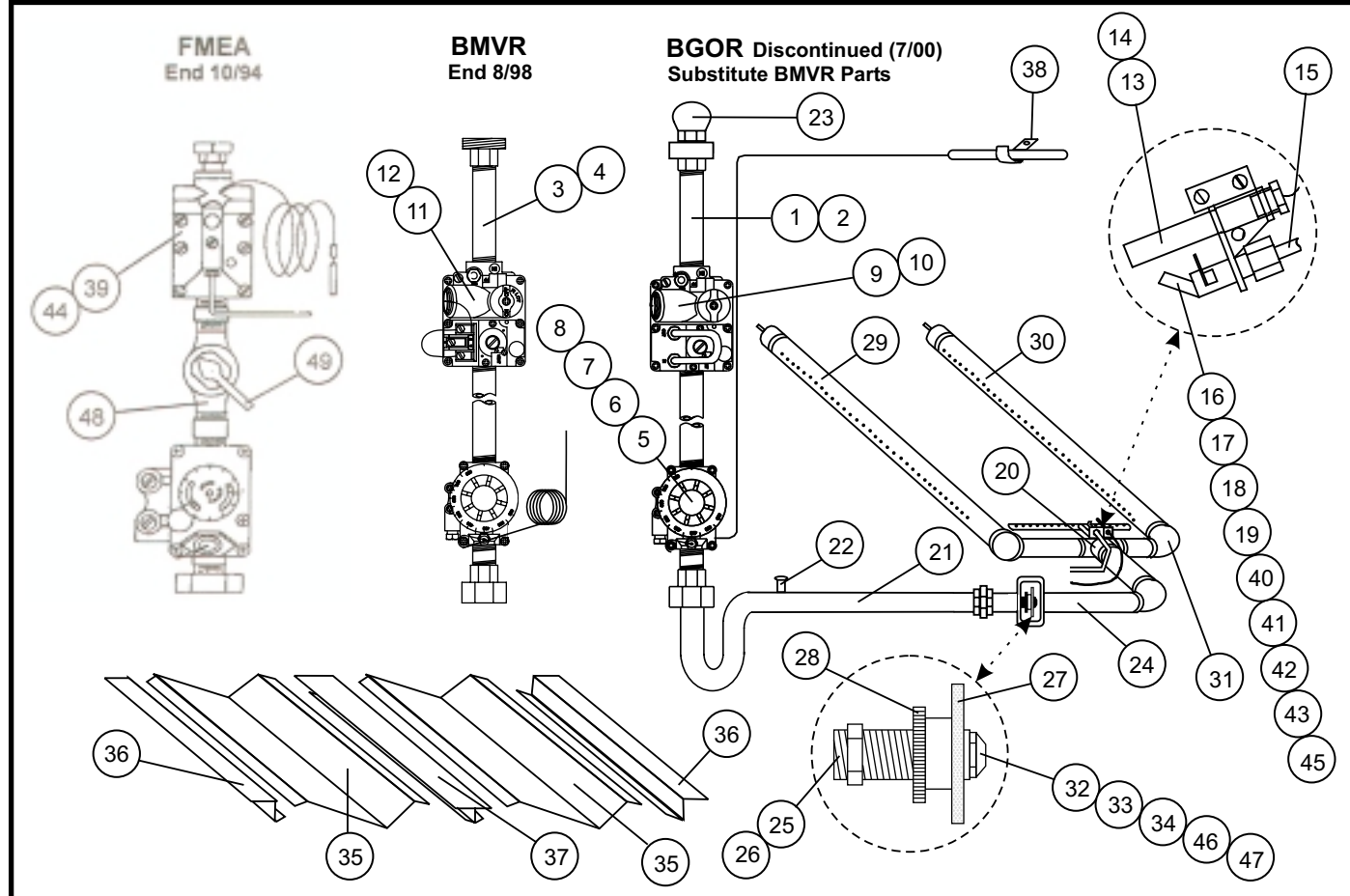


Figure B

Controls / Interior Components



Item	Part #	Description	Item	Part #	Description
1	* M1302P	Control Assy, Nat (w/BGOR Valve) D-125	20	L5078P	Manifold Tee Assy, D-125
2	* M1303P	Control Assy, LP (w/BGOR Valve) D-125	21	R1039P	Manifold Assy, D-125
3	M1383P	Control Assy, Nat (End 8/98, SN6273) BMVR, D-125	22	N3068P	Pressure Tap Nozzle Assy
4	M1286P	Control Assy, LP (End 8/98, SN6273) BMVR, D-125	23	R1061P	Gas Inlet Assy
5	M1005A	Thermostat, Gas, FDTH (650F)	24	L5002A	Inspirator #4
6	S1056A	Knob, Thermostat, 650F	25	R3015P	Spud Assy #4
7	M1390X	Thermostat, High Heat, Elec (Opt.)	26	R3012A	Spud Holder #4
8	S1207A	Knob, Thermostat, High Heat (1-10)	27	R3013A	Adjusting Disc, #4
9	* R3152A	Valve, Nat, BGOR	28	R3014A	Locking Disc, #4
10	* R3154A	Valve, LP, BGOR	29	L5025W	Burner w/Cap & Elbow, Left, D-125
11	R3104X	Valve, BMVR, Nat (End 8/98, SN6273)	30	L5026W	Burner w/Cap & Elbow, Right, D-125
12	R3124X	Valve, BMVR, LP (End 8/98, SN6273)	31	L5007T	Burner, Complete, D-125
13	M1296A	Thermocouple, T46 (72")	32	R3132P	Orifice, LP, #32 Drill, D-125
14	M1265X	Thermopile (End 8/98, SN6273, D-125)	33	R3135P	Orifice, Nat, #3 Drill, D-125
15	R3035P	Pilot Tubing, S/S, 3/16" x 60"	34	R3016A	Orifice, Blank - Not drilled
16	M1220X	Pilot Burner, Natural, w/Ftgs, 2 CHA-1	35	A3079K	Flame Diverter, Slide Out, D-125
17	M1222X	Pilot Burner, LP, w/Fittings, 2 CHA-1	36	A3080K	Flame Diverter, Side (2) D-125
18	M1244A	Orifice, Pilot, Nat, 2 CHA-1 (.018")	37	A3083U	Flame Diverter Assy, Center, D-125
19	M1245A	Orifice, Pilot, LP, 2 CHA-1 (.010")	38	Q4021A	Capillary Clip (2)

* Discontinued 7/00. Substitute BMVR parts listed above. ALWAYS INCLUDE #M1265X Thermopile.

Older Models					
39	M1004X	Valve, FMEA (Thermocouple Included)	45	K1374X	Pilot Burner Conversion Adaptor, #54 to #11E
40	M1054X	Pilot Burner, Nat, w/Fittings, #11E (FMEA)	46	R3063X	Orifice, Nat #13 Drill (5"WC) D-125
41	M1055X	Pilot Burner, LP, w/Fittings, #11E (FMEA)	47	R3065X	Orifice, LP, #32 Drill (10"WC) D-125
42	M1056X	Pilot Orifice, Nat (.018") Used w/FMEA Valve	48	R3001X	1/2" Gas Valve w/Handle
43	M1057X	Pilot Orifice, LP (.010") Used w/FMEA Valve	49	S1001T	Handle, 1/2" Gas Valve
44	M1003X	Valve, FMDA (For Auto Oven Starter)			



30 Pine Street • New Rochelle • New York • 10801
 914 / 576 - 0200
 914 / 576 - 0605 fax
 1 - 800 - 431 - 2745 US & Canada
 www.bakerspride.com web address

D-125
Gas Deck Oven

PARTS LIST



Model Number: **D-125** Type of Gas
 Serial Number: _____ Natural L.P. Other

D-125

Gas Deck Oven

30 Pine Street • New Rochelle • New York • 10801

914 / 576 - 0200

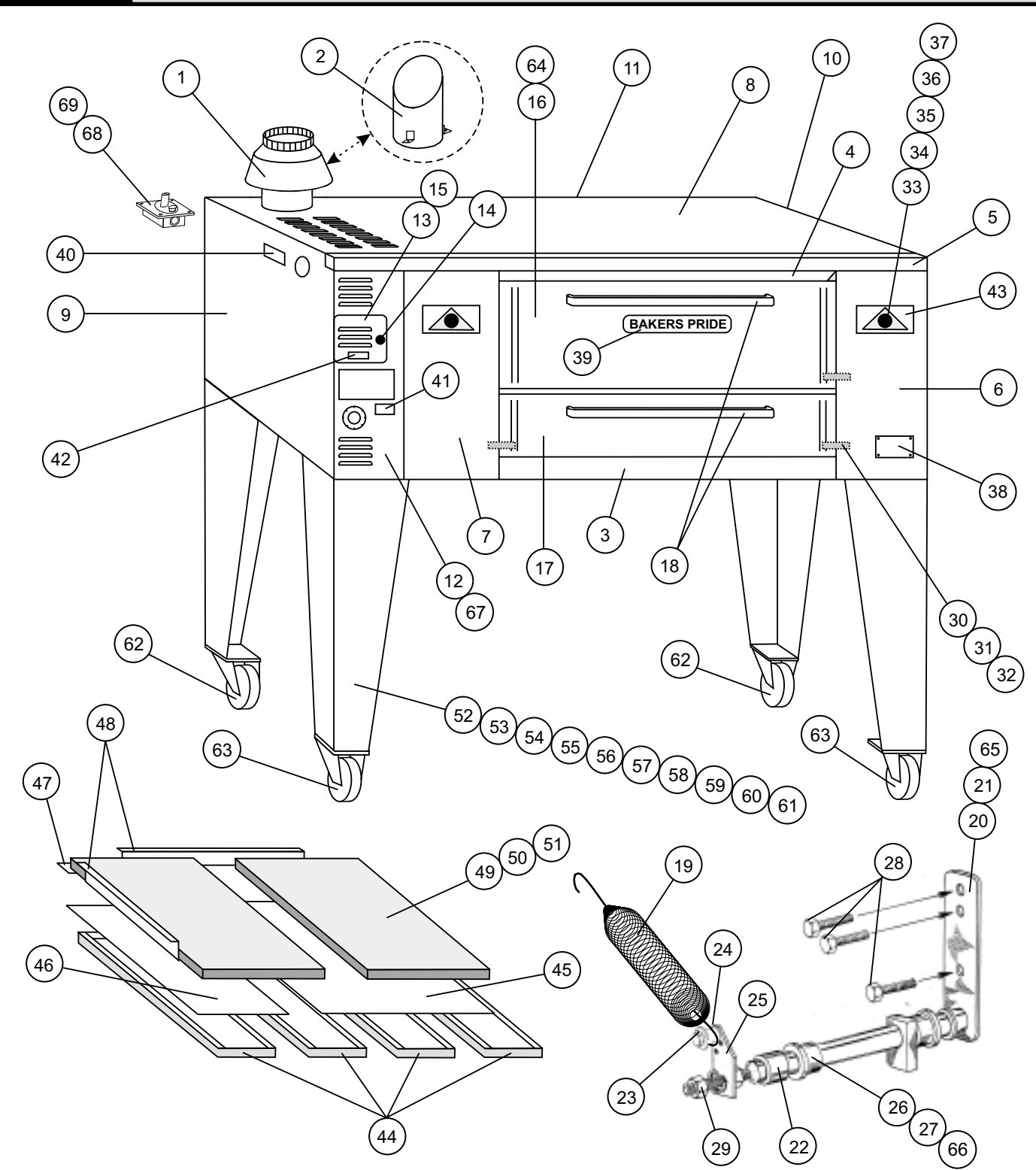
914 / 576 - 0605 fax

1 - 800 - 431 - 2745 US & Canada

www.bakerspride.com web address



Figure A Exterior / Decks / Doors



Item	Part #	Description	Item	Part #	Description
Exterior / Decks / Door					
1	R3002Y	Flue Diverter, Direct Vent	34	S1005X	Knob, Push-Pull, 3/8"-16
2	R3115Y	Flue Diverter, Collection Hood	35	Q2217A	Bolt, Push-Pull Rod (1)
3	A3019X	Bottom Apron, S/S, D-125	36	Q2306A	Nut, Push-Pull Rod (2)
4	A3017X	Top Apron, S/S, D-125	37	Q3009A	Flat Washer, Push-Pull Rod (2)
5	A3016X	Top Trim, S/S, D-125	38	U1041A	Plate, Minimum Clearance
6	A3009X	Front Panel, Right, S/S, D-125	39	U1043X	Bakers Pride Logo, (13 3/4")
7	A3006X	Front Panel, Left, S/S, D-125	40	U1210A	Label, Warning
8	A3023U	Outer Top, S/S, D-125	41	U1230A	Label, Inst. Under Vent Hood
9	A3033U	Outer Side, Left, S/S, D-125	42	U1240A	Label, Unit For Use Only With.....
10	A3035K	Outer Side, Right, S/S, D-125	43	U1224A	Plate, Push-Pull
11	A3027U	Outer Back Assy, S/S, D-125	44	A3140T	Hearth Frame Assy, 12" (4) D-125
12	A3187U	Control Panel Assy, S/S, D-125	45	A3184Z	Hearth Liner Sheet, 25" x 36" (1) D-125
13	A4129U	Combination Valve Door Assy, S/S	46	A3185Z	Hearth Liner Sheet, 23" x 36" (1) D-125
14	S1153X	Knob	47	A4140X	Shim, Hearth (each)
15	S3203X	Latch Assy, Magnetic	48	K1099K	Wedge, Hearth, 30" (2)
16	A3001W	Door Assy, Top, D-125	49	T1102Y	Hearth Baking Deck, 24x36x1 1/2 (ea)
17	A3004T	Door Assy, Bottom, D-125	50	T1107X	Hearth Baking Deck, 24x36x1 1/2 (Set/2)
18	S1002X	Handle w/2 Screws, 17 1/2" (2)	51	T1008A	Hearth Fire Brick, 12x12x1 1/2 (ea)
19	S3003X	Spring, Top Door, 1 1/8" x 9 3/4"	52	S1018Y	Legs, 12" (Set/4, w/Bolts)
20	S3013W	Door Rod Assy, Top, Left Side (3/4") D-125	53	S1018T	Leg, 12" (ea)
21	S3013X	Door Rod w/Arm, Top, Left Side (3/4") D-125	54	S1003Y	Legs, 16" (Set/4, w/Bolts)
22	S3063X	Spacer Bushing, Door Rod	55	S1003X	Leg, 16" (ea)
23	Q2301X	Shoulder Bolt, 3/8-16 x 1"	56	S1004Y	Legs, 30" (Set/4, w/Bolts)
24	S3007X	Teflon Bushing Assy	57	S1004X	Leg, 30" (ea)
25	S3056X	Lever, Door Spring (3 1/2")	58	Q2102A	Bolt, Leg, 1/2-13 x 1 (ea)
26	S3135X	Bushing w/Insert, Door Rod (3/4")	59	S1076X	S/S Leg Wrap, 12" (Set/2)
27	S3133X	Insert Only (Duralon)	60	S1077X	S/S Leg Wrap, 16" (Set/2)
28	Q2303X	Bolt, Door Rod, 3/8-16 (5)	61	S1078X	S/S Leg Wrap, 30" (Set/2)
29	Q2401A	Nut, Door Rod (9/16-18)	62	S1022X	Caster, No Lock (ea)
30	S3009X	Pin, Door, Right Side (9/16"-18 x 3")	63	S1023X	Caster, w/Lock (ea)
31	S3138X	Sleeve Assy, Door Pin	N/S	M1002X	Automatic Oven Starter
32	Q3023X	Spacer Kit, Door Pin	N/S	S3016X	Counter Weight Assy, Bottom Door
33	S3012X	Push-Pull Rod			
Older Models					
64	A3173X	Door Assy, Top, Counterweight, D-125	67	A3012X	Control Panel Assy, FMEA, D-125
65	S3071X	Door Rod, Top w/Counterweight, D-125	68	M1008X	Pressure Reg, Nat, 5"WC
66	S3008X	Bushing, 9/16" (Door Rod O/S)	69	M1009X	Pressure Reg, LP, 10"WC
Qty BGOR Conversion Kit (LP to Nat)			Qty BGOR Conversion Kit (Nat to LP)		
1	R3135X	Orifice, Nat, #3 Drill, D-125	1	R3132X	Orifice,LP #32 Drill, D-125
1	M1297X	BGOR Valve Kit, Nat	1	M1221X	BGOR Valve Kit, LP
1	M1244X	Orifice, Pilot, Nat, 2 CHA-1 (.018")	1	M1245X	Orifice, Pilot, LP, 2 CHA-1 (.010")
Qty BMVR Conversion Kit (LP to Nat)			Qty BMVR Conversion Kit (Nat to LP)		
1	R3135X	Orifice, Nat, #3 Drill, D-125	1	R3132X	Orifice,LP #32 Drill, D-125
1	M1260X	BMVR Valve Kit, Nat	1	M1221X	BMVR Valve Kit, LP
1	M1244X	Orifice, Pilot, Nat, 2 CHA-1 (.018")	1	M1245X	Orifice, Pilot, LP, 2 CHA-1 (.010")
Qty FMEA Conversion Kit (LP to Nat)			Qty FMEA Conversion Kit (Nat to LP)		
1	R3063X	Orifice, Nat, #13 Drill, D-125	1	R3065X	Orifice,LP #32 Drill, D-125
1	M1008X	Pressure Regulator, 5"WC	1	M1009X	Pressure Reg, LP, 10"WC
1	M1056X	Orifice, Pilot, Nat, (.018")	1	M1057X	Pilot Orifice, LP (.010")