



30 Pine Street • New Rochelle • New York • 10801

914 / 576 - 0200

914 / 576 - 0605 fax

1 - 800 - 431 - 2745 US & Canada

www.bakerspride.com web address

401, 451, 4151

Gas Deck Oven

PARTS LIST

Convection-Flo

"00" SERIES - GAS BAKE & PIZZA OVENS



Model Number: 401 451 4151

Serial Number: _____

Type of Gas

Natural L.P. Other

401, 451, 4151

Gas Deck Oven

30 Pine Street • New Rochelle • New York • 10801

914 / 576 - 0200

914 / 576 - 0605 fax

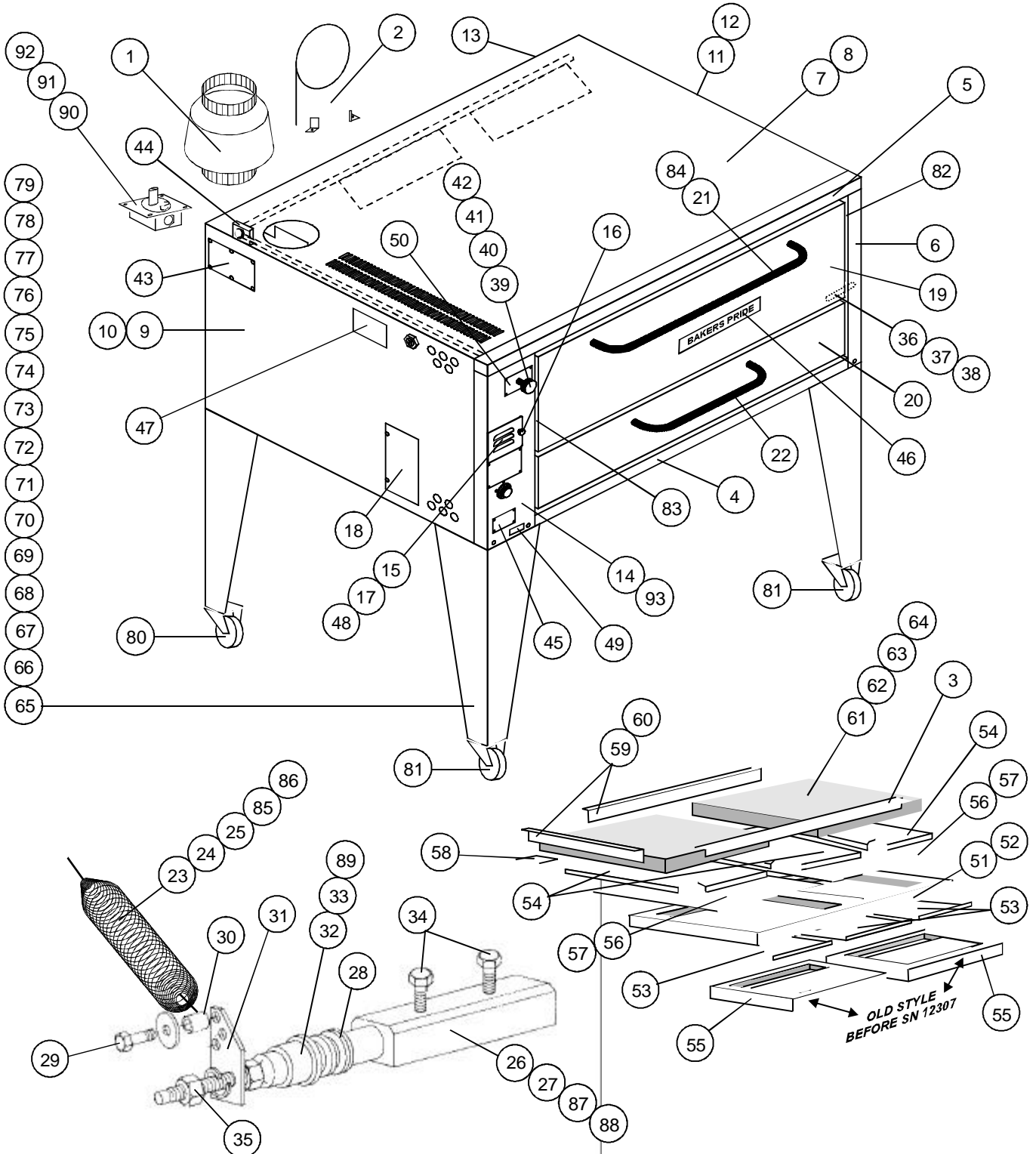
1 - 800 - 431 - 2745 US & Canada

www.bakerspride.com web address



Figure A

Exterior / Decks / Doors



Item	Part #	Description	Item	Part #	Description
1	R3002Y	Flue Diverter, Direct Vent	44	S3011A	Flipper Control Body (Lever)
2	R3115Y	Flue Diverter, Collection Hood	45	U1041A	Plate, Minimum Clearance
3	A1153X	Hearth Trim Assy, S/S	46	U1043X	Bakers Pride Logo, (13 3/4")
4	A1015X	Bottom Apron, S/S	47	U1210A	Label, Warning
5	A1012X	Top Trim, S/S	48	U1230A	Label, Inst. Under Vent Hood
6	A1010X	Front Panel, Right, S/S	49	U1240A	Label, Unit For Use Only With.....
7	A1026U	Outer Top, S/S (400)	50	U1039X	Plate, Push-Pull
8	A1369U	Outer Top, S/S (4151)	51	A1200X	Hearth Frame Assy, 1 (400)
9	A1477K	Outer Side, Left, S/S (400)	52	A1373T	Hearth Frame Assy, 1 (4151)
10	A1481K	Outer Side, Left, S/S (4151)	53	A1284X	Flame Diverter, S/S, 17" x 17", 3 (All)
11	A1478K	Outer Side, Right, S/S (400)	54	A1285X	Air Pan 3 (401, 451) *Not used on 4151
12	A1482K	Outer Side, Right, S/S (4151)	55	A1261X	Flame Diverter, S/S, 2 (Before SN12307)
13	A1034K	Outer Back Assy, S/S	56	A1236X	Hearth Liner Sheet, 2 (400) 27x34
14	A1425X	Control Panel Assy, S/S (401, 451, 4151) 8"	57	A1432A	Hearth Liner Sheet, 24 x 27, 2 (4151)
15	A4129X	Combination Valve Door Assy, S/S	58	A4140Z	Shim, Hearth (ea)
16	S1153X	Knob	59	K1099K	Wedge, Hearth, 30" (2) 401, 451
17	S3203X	Latch Assy, Magnetic	60	K1067K	Wedge, Hearth, 11 1/2" (4) 4151
18	K1059X	Access Cover, Left	61	T1104Y	Hearth Deck, 18 x 34 1/2x1 1/2 (ea) 400
19	A4136T	Door Assy, Top, 8"	62	T1110X	Hearth Deck, 18 x 34 1/2x1 1/2 (Set/3) 400
20	A4305T	Door Assy, Bottom	63	T1106Y	Hearth Deck, 18 1/2 x 24 1/2 x1 1/2 (ea) 4151
21	S1196X	Handle w/2 Screws, Top Door (30")	64	T1149X	Hearth Deck, 18 1/2 x 24 1/2 x1 1/2 (Set/3) 4151
22	S1002X	Handle w/2 Screws, Bottom Door (17 1/2")	65	S1019Y	Legs, 6" (Set/4, w/Bolts)
23	S3004X	Spring, Bottom Door, 13/16" x 6 3/4"	66	S1019T	Leg, 6" (ea)
24	S3003X	Spring, Top Door 1 1/8" x 9 3/4"	67	S1018Y	Legs, 12" (Set/4, w/Bolts)
25	A1428X	Spring Retro Kit (O/S to N/S Door)	68	S1018T	Leg, 12" (ea)
26	S3039W	Door Rod Assy, Left Side (3/4" x 8")	69	S1003Y	Legs, 16" (Set/4, w/Bolts)
27	S3039X	Door Rod, Left Side (3/4" x 8")	70	S1003X	Leg, 16" (ea)
28	Q3024X	Spacer Kit, Door Rod	71	S1004Y	Legs, 30" (Set/4, w/Bolts)
29	Q2301X	Shoulder Bolt, 3/8-16 x 1"	72	S1004X	Leg, 30" (ea)
30	S3007X	Teflon Bushing Assy	73	S1039Y	Legs, 38" (Set/4, w/Bolts)
31	S3056X	Lever, Door Spring (3 1/2")	74	S1039T	Leg, 38" (ea)
32	S3135X	Bushing w/Insert, Door Rod (3/4")	75	Q2102A	Bolt, Leg, 1/2-13 x 1 (ea)
33	S3133X	Insert Only (Duralon)	76	S1076X	S/S Leg Wrap, 12" (Set/2)
34	Q2303X	Bolt, Door Rod, 3/8-16 (2)	77	S1077X	S/S Leg Wrap, 16" (Set/2)
35	Q2401X	Nut, Door Rod (9/16-18)	78	S1078X	S/S Leg Wrap, 30" (Set/2)
36	S3009X	Pin, Door, Right Side (9/16"-18 x 3")	79	S1079X	S/S Leg Wrap, 38" (Set/2)
37	S3138X	Sleeve Assy, Door Pin	80	S1022X	Caster, No Lock (ea)
38	Q3023X	Spacer Kit, Door Pin	81	S1023X	Caster, w/Lock (ea)
39	S3006X	Push Pull Rod (401, 451)	82	A4286K	Top Door Seal, R.H.
40	S3043X	Push Pull Rod (4151)	83	A4287K	Top Door Seal, L.H.
41	S1005X	Knob, Flipper, 3/8"-16	N/S	M1002X	Automatic Oven Starter (7 Day Timer)
42	S3005X	Spring, Flipper Rod	N/S	T1001X	Steel Baking Deck, w/Screws (Opt. 401,451)
43	K1209K	Flipper Cover, Outer Side	N/S	T1135X	Steel Baking Deck, w/Screws (Opt. 4151)

Older Models

84	S1002X	Top & Bottom Door Handle (17 1/2")	89	S3008X	Bushing, Door Rod (9/16")
85	S3002X	Spring, Top Door, 1 3/8" x 11 5/8"	90	M1184X	Pressure Reg, Nat, 3.5"WC
86	S3003X	Spring, Bottom Door, 1 1/8" x 9 3/4"	91	M1008X	Pressure Reg, Nat, 5"WC
87	S3010W	Door Rod Assy, 9/16" (Before SN8796) 401,451,4151	92	M1009X	Pressure Reg, LP, 10"WC
88	S3010X	Door Rod, 9/16" (Before SN8796) 401,451,4151	93	A1018X	Control Panel, S/S, FMEA

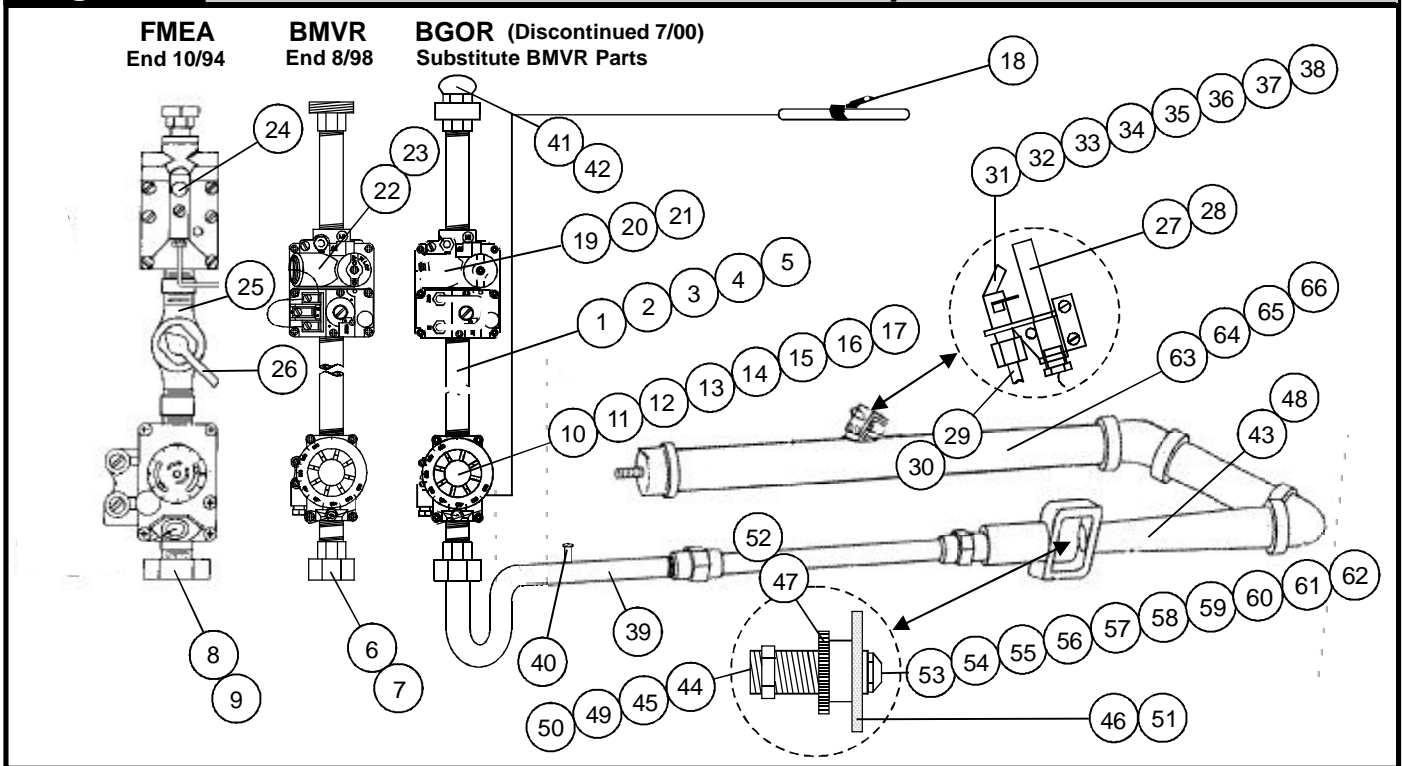
Qty	BGOR Conversion Kit (LP to Nat)		Qty	BGOR Conversion Kit (Nat to LP)	
1	R3118X	Orifice, Nat, #21 Drill (4151)	1	R3131X	Orifice, LP #41 Drill (4151)
1	R3120A	Orifice, Nat, #17 Drill (451)	1	R3018X	Orifice, LP #37 Drill (451)
1	R3121A	Orifice, Nat, #25 Drill (401, 404)	1	R3066X	Orifice, LP, #43 Drill (401, 404)
1	M1297X	BGOR Valve Kit, Nat	1	M1221X	BGOR Valve Kit, LP
1	M1244X	Orifice, Pilot, Nat, 2 CHA-1 (.018")	1	M1245X	Orifice, Pilot, LP, 2 CHA-1 (.010")

Qty	BMVR Conversion Kit (LP to Nat)		Qty	BMVR Conversion Kit (Nat to LP)	
1	R3118X	Orifice, Nat, #21 Drill (4151)	1	R3131X	Orifice, LP #41 Drill (4151)
1	R3120A	Orifice, Nat, #17 Drill (451)	1	R3018X	Orifice, LP #37 Drill (451)
1	R3121A	Orifice, Nat, #25 Drill (401, 404)	1	R3066X	Orifice, LP, #43 Drill (401, 404)
1	M1260X	BMVR Valve Kit, Nat	1	M1221X	BMVR Valve Kit, LP
1	M1244X	Orifice, Pilot, Nat, 2 CHA-1 (.018")	1	M1245X	Orifice, Pilot, LP, 2 CHA-1 (.010")

Qty	FMEA Conversion Kit (LP to Nat)		Qty	FMEA Conversion Kit (Nat to LP)	
1	R3118X	Orifice, Nat, #21 Drill (4151)	1	R3131X	Orifice, LP #41 Drill (4151)
1	R3017X	Orifice, Nat, #23 Drill (451)	1	R3018X	Orifice, LP #37 Drill (451)
1	R3064A	Orifice, Nat, #30 Drill (401, 404)	1	R3066X	Orifice, LP, #43 Drill (401, 404)
1	M1008X	Pressure Regulator, 5"WC	1	M1009X	Pressure Reg, LP, 10"WC
1	M1056X	Orifice, Pilot, Nat, (.018")	1	M1057X	Pilot Orifice, LP (.010")

Figure B

Controls / Interior Components



Item	Part #	Description	Item	Part #	Description
1	* M1395P	Control Assy, Nat (w/BGOR Valve) 451, 4151	34	M1245X	Orifice, Pilot, LP, 2 CHA-1 (.010")
2	* M1396P	Control Assy, LP (w/BGOR Valve) 451, 4151	35	M1054X	Pilot Burner, Nat, w/Fittings, #11E (FMEA)
3	* M1397P	Control Assy, Nat (w/BGOR Valve) 401	36	M1055X	Pilot Burner, LP, w/Fittings, #11E (FMEA)
4	* M1398P	Control Assy, LP (w/BGOR Valve) 401	37	M1056X	Orifice, Pilot Nat (.018") FMEA
5	* M1428P	Control Assy, CE, Nat (w/BGOR Valve) 451, 4151	38	M1057X	Orifice, Pilot, LP (.010") FMEA
6	M1249X	Control Assy, Nat (End 8/98) BMVR 451, 4151	39	R1001T	Manifold
7	M1250X	Control Assy, LP (End 8/98) BMVR 401	40	N3068P	Pressure Tap Nozzle Assy
8	M1065X	Control Assy, Nat or LP (w/FMEA Valve) 451, 4151	41	R1061P	Gas Inlet Assy (401, 451)
9	M1117X	Control Assy, Nat or LP (w/FMEA Valve) 401	42	R1060P	Gas Inlet Assy (4151)
10	M1005X	Thermostat, Gas, FDTH (650F) 451, 4151	43	L5002X	Inspirator #4 (401, 451)
11	S1056X	Knob, Thermostat, 650F, 451, 4151	44	R3015P	Spud Assy #4 (401, 451)
12	S1163X	Knob, Thermostat, CE, 340C, 451, 4151	45	R3012A	Spud Holder #4 (401, 451)
13	M1006X	Thermostat, FDTO, 550F (401)	46	R3013D	Adjusting Disc, #4 (401, 451)
14	S1057X	Knob, Thermostat, 550F, 401	47	R3014X	Locking Disc, #4 (401, 451)
15	S1164X	Knob, Thermostat, CE, 300C, 401	48	L5001X	Inspirator #3 (4151)
16	M1390X	Thermostat, High Heat, Elec (Opt.) 451, 4151	49	R3007X	Spud Assy #3 (4151)
17	S1207X	Knob, High Heat Thermostat (1-10) 451, 4151	50	R3004A	Spud Holder #3 (4151)
18	Q4021X	Capillary Clip	51	R3005A	Adjusting Disc, #3 (4151)
19	* R3152A	Valve, Nat, 7000-BGOR	52	R3006A	Locking Disc, #3 (4151)
20	* R3154A	Valve, LP, 7000-BGOR	53	R3018A	Orifice, LP #37 Drill (451) All
21	* R3156A	Valve, Nat, CE, 7000-BGOR	54	R3066X	Orifice, LP #43 Drill (401, 404) All
22	R3104X	Valve, BMVR, Nat (End 8/98, SN12868)	55	R3131X	Orifice, LP #41 Drill (4151) All
23	R3124X	Valve, BMVR, LP (End 8/98, SN12868)	56	R3120A	Orifice, Nat #17 Drill (451) BGOR/BMVR
24	M1004X	Valve, FMEA w/T-Couple (Before 10/94)	57	R3121A	Orifice, Nat #25 Drill (401, 404) BGOR/BMVR
25	R3001X	Gas Valve, 1/2", w/Knob	58	R3017X	Orifice, Nat #23 Drill (451) FMEA
26	S1001T	Knob, Gas Valve, 1/2"	59	R3064A	Orifice, Nat #30 Drill (401, 404) FMEA
27	M1296X	Thermocouple, T46 (72")	60	R3118X	Orifice, Nat #21 Drill (4151) All
28	M1265X	Thermopile (End 8/98, SN12868)	61	R3016X	Orifice, Blank - Not drilled (401, 451) #4
29	R3036X	Pilot Tubing, S/S, 3/16" x 45" (401, 451)	62	R3008X	Orifice, Blank - Not drilled (4151) #3
30	R3035X	Pilot Tubing, S/S, 3/16" x 60" (4151)	63	L5003W	Burner w/Cap & Elbow 401, 451
31	M1220X	Pilot Burner, Natural, w/Ftgs, 2 CHA-1	64	L5004W	Burner w/Cap & Elbow 4151
32	M1222X	Pilot Burner, LP, w/Fittings, 2 CHA-1	65	L5003X	Burner, Complete (To Union) 401, 451
33	M1244X	Orifice, Pilot, Nat, 2 CHA-1 (.018")	66	L5004X	Burner, Complete (To Union) 4151

* **Discontinued 7/00.** Substitute BMVR parts listed above. ALWAYS INCLUDE #M1265X Thermopile.