



30 Pine Street • New Rochelle • New York • 10801

914 / 576 - 0200

914 / 576 - 0605 fax

1 - 800 - 431 - 2745 US & Canada

www.bakerspride.com web address

COC-E

Half Size Electric Convection Oven

PARTS LIST

Cyclone
SERIES



Model Number: **COC-E**

Voltage/Phase

Serial Number: _____

208V/1

208V/3

220-240/1

220-240/3

COC-E

Half Size Electric Convection Oven

30 Pine Street • New Rochelle • New York • 10801

914 / 576 - 0200

914 / 576 - 0605 fax

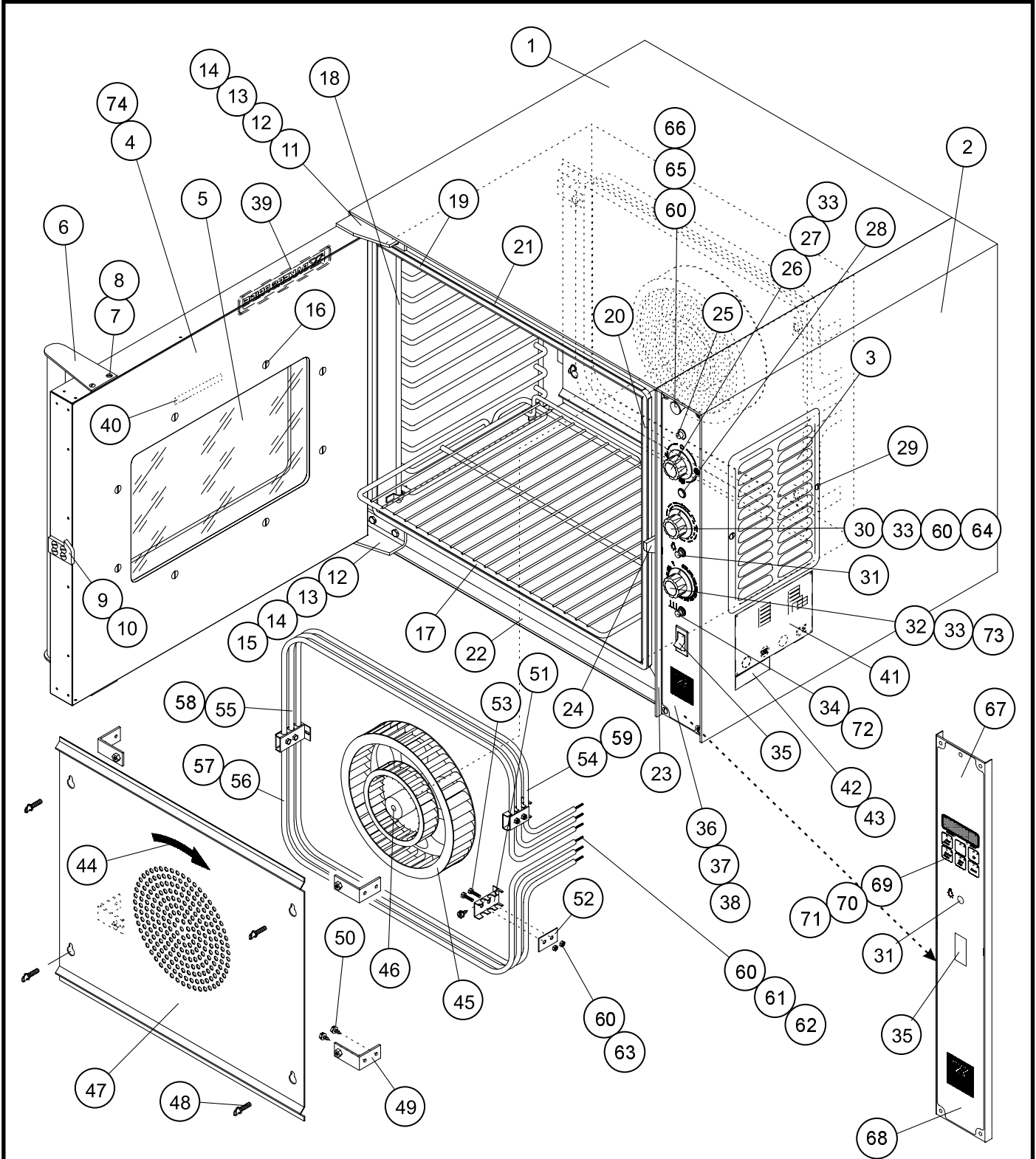
1 - 800 - 431 - 2745 US & Canada

www.bakerspride.com web address



Figure A

Exterior / Interior / Elements / Controls / Door





30 Pine Street • New Rochelle • New York • 10801

914 / 576 - 0200

914 / 576 - 0605 fax

1 - 800 - 431 - 2745 US & Canada

www.bakerspride.com web address

COC-E

Half Size Electric Convection Oven

Item	Part #	Description	Item	Part #	Description
Exterior / Interior / Elements / Controls / Door					
1	E1178K	Outer Shell	44	U1169A	Motor Rotation Arrow, Label
2	E1179K	Outer Side (Right)	45	S1195X	Blower Wheel
3	E1180X	Access Cover Assy.	46	Q2318A	Bolt, Wheel Puller 3/8-16x1 1/2 Hx (1)
4	E1052X	Door Assy. (With Window)	47	E1026K	Baffle Plate
5	S1048X	Window Assy.	48	Q2009A	Thumb Screw, 1/4-20x1/2 (4)
6	S1317U	Door Handle Assy.	49	E3095T	Baffle Plate Bracket Assy (4)
7	Q1477A	Screw, FH 10-32x1/2 (4)	50	Q1414A	Screw, HX HD #10x3/4 (8)
8	Q3047A	#10 Lock Washer, Countersunk ext. (4)	51	K1100X	Element Bracket, Bent (3)
9	S3029X	Door Catch	52	K1375E	Element Bracket, Flat (3)
10	Q2008A	Screw, FH 1/4-28x5/8 (4)	53	Q1407A	Screw HX HD #10x1/2 (6)
11	E1165K	Hinge Assy (Top)	54	L1079X	Element, Rear 208V 3KW
12	Q2025A	Bolt, HH 1/4-20x3/4 (2)	55	L1080X	Element, Center 208V 3KW
13	Q3005A	1/4 Lockwasher, Split (2)	56	L1081X	Element, Front 208V 3KW
14	E1087B	Hinge Shim (2)	57	L1082X	Element, Front 230V 3KW
15	E1167K	Hinge Assy (Bottom)	58	L1083X	Element, Center 230V 3KW
16	Q2209A	Screw, TH, 5/16-18x3/4 (8)	59	L1084X	Element, Rear 230V 3KW
17	T3041A	Wire Rack (5)	60	Q3017A	Star Washer #10
18	T3042A	Rack Support (2)	61	Q1402A	Nut 10-32 (12)
19	K1088K	Horizontal Seal Strip (2)	62	S1062X	Terminal Cap (6)
20	K1089K	Vertical Seal Strip (2)	63	Q1408X	Nut 10-24 (6)
21	S6037X	Door Gasket	64	Q1436A	Bolt, Hx Hd 10-32x5/8
22	E1186K	Bottom Apron	65	S1153X	Knob
23	E1183K	Front Column Assy.	66	Q1206A	Screw, 8-32 x 3/8 RD HD
24	S3030X	Door Latch Assy.	67	E1196K	Control Panel (Minichief)
25	P1128X	Pilot Light (Green)	68	U1285A	Overlay (Minichief)
26	M1326X	Rotary Switch	69	M1306X	Minichief Controller
27	Q1705A	Screw, 4x6mm (2)	70	P1141A	Connector (Minichief)
28	P1127X	Pilot Light (Amber)	71	P1140A	Pins for #P1141A (Minichief)
29	Q1406A	Screw, SL HD #10x1/2 (2)	72	M1049X	Push Button Switch (Steam)
30	M1227X	Thermostat, GC-20 (208/240V) w/Knob	73	U1296A	Timer Overlay (50 cycle only)
31	M1049X	Push Button Switch (Light)	74	E1051X	Door Assy, No Window (Option)
32	M1346A	Timer, 60 Minutes (208/240VAC)	Optional Steam Injection (Not Shown)		
33	S1311X	Knob (3)	N/S	M1114X	Solonoid Valve
34	S1171A	Plug Button, 7/16	N/S	M1115X	Coil (For Solonoid Valve)
35	M1352A	Circuit Breaker	N/S	N1019X	Steam Injection Nozzle
36	E1195K	Control Panel (GC-20)	N/S	N3039A	1/8 Brass Coupling
37	U1284A	Overlay (Rotary Controls)	N/S	N3040A	1/8 Brass Elbow
38	Q1406A	Screw, TR HD #10x1/2 (4)	N/S	N3041A	1/8NPT-1/4 Compression Fitting
39	U1044A	Bakers Pride, Name Plate, 8"	N/S	N5814A	1/8x2 3/8 Nipple
40	U1192A	Caution Hot, Label, Bi-Lingual	N/S	N5815A	1/4 Tubing x 9"
41	U1299A	Rating Plate, Bi-Lingual	N/S	M1231A	Steam Timer, 208/230V
42	U1205A	Service Connection w/Neutral	N/S	M1176X	Steam Potentiometer
43	U1206A	Service Connection			

COC-E

Half Size Electric Convection Oven

30 Pine Street • New Rochelle • New York • 10801

914 / 576 - 0200

914 / 576 - 0605 fax

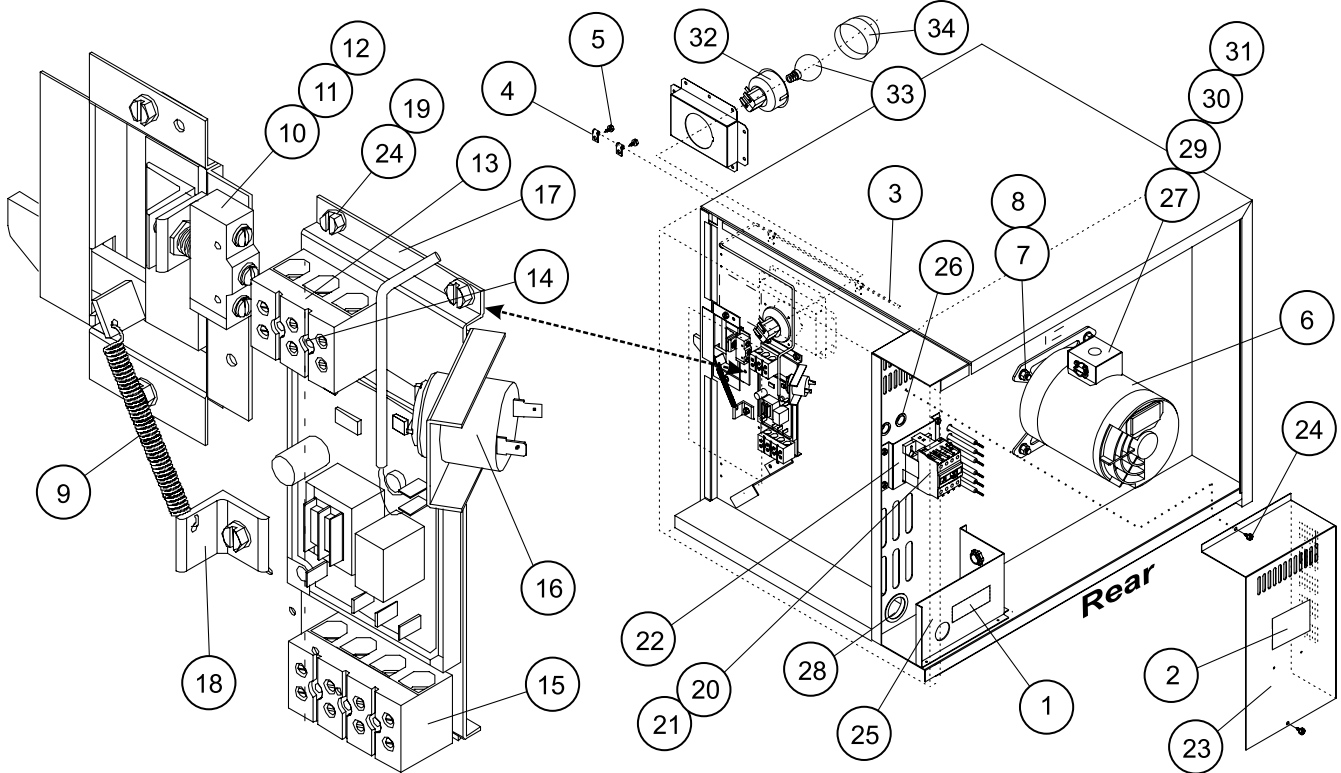
1 - 800 - 431 - 2745 US & Canada

www.bakerspride.com web address



Figure B

Door Latch / Electrical Components



Item	Part #	Description	Item	Part #	Description
1	U1210A	Installation Warning, Label	18	K1087E	Spring Bracket
2	U1120A	Element Terminal, Plate	19	Q3017A	Star Washer #10
3	M1204X	Temperature Sensor	20	M1030X	Contactora, 208/240V
4	Q4021X	Clip 3/16 Closed, Temp Sensor (2)	21	Q1210A	Screw, Pan Hd, 8-32x1/2 (4)
5	Q1406A	Screw, #10x1/2 (2)	22	E3210U	Contactora Bracket
6	M1217X	Motor, 1/4HP, 2 Spd, 200-230V, 50-60	23	E1018K	Terminal Box
7	Q3014A	Lockwasher, Split 5/16 (4)	24	Q1407A	Bolt, Hx Hd, #10x1/2 (2)
8	Q2204A	Nut, HX, 5/16-18 (4)	25	E1176K	Cable Support
9	S3005X	Spring, 2 1/2x5/16	26	P1018A	Bushing, Snap, 7/8 (2)
10	M1102X	Micro-Switch (Rotary)	27	P1084A	Bushing, Anti-Short, 3/8 (2)
11	M1172X	Micro-Switch (Minichief)	28	P1045A	Bushing, Snap, 2"
12	M1173X	Actuator	29	P1082A	Conduit, BX Flex, 3/8x24"
13	P1003X	Terminal Block, 3 Pole	30	P1017A	Conduit Connector, 3/8x1/2-Straight
14	Q1205A	Screw, Rd Hd, 8-32x1 1/4 (2)	31	P1079A	Wire Nut (3)
15	P1004X	Terminal Block, 4 Pole	32	P1126X	Lighting Assy (W/Bulb & Lens)
16	M1335X	Audio Alarm	33	P1122A	Light Bulb (40W, 240V)
17	E1199U	Control Bracket Assy.	34	P1124X	Lens, Lighting Assy