

# GP-51

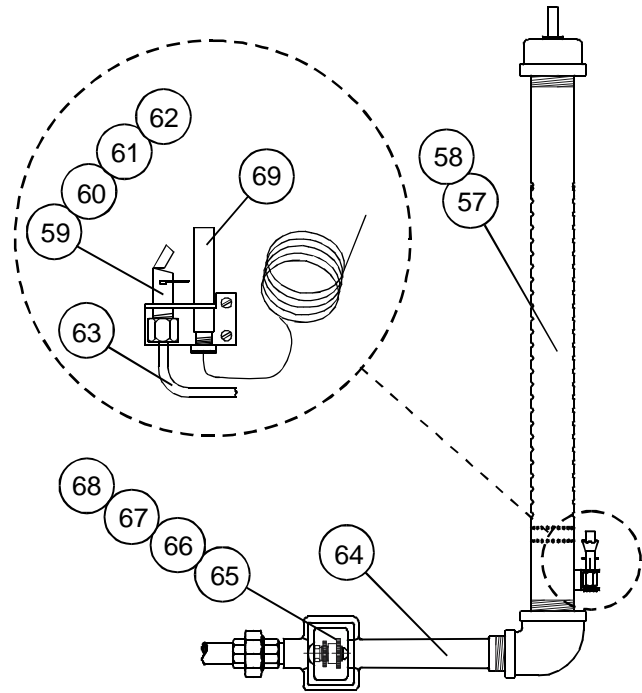
Counter Top Gas Oven

30 Pine Street • New Rochelle • New York • 10801

914 / 576 - 0200  
 914 / 576 - 0605 fax  
 1 - 800 - 431 - 2745 US & Canada  
 www.bakerspride.com web address

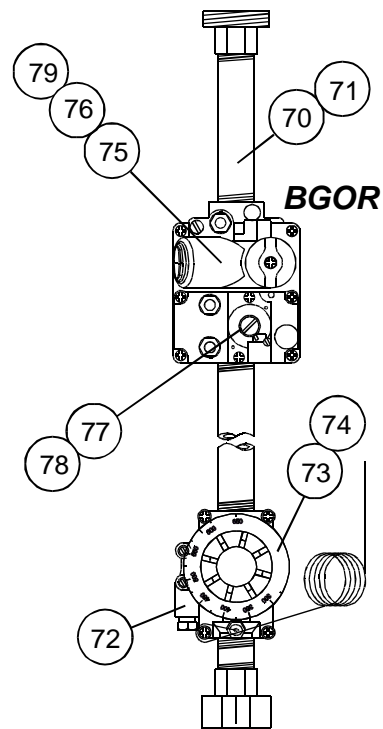


**Figure B** **Burner**



Item	Part #	Description
57	L5094X	Burner w/Inspirator to Union w/o Orifice
58	L5096X	Burner w/Cap & Elbow
59	M1220X	Pilot Burner N/G
60	M1222X	Pilot Burner L/P
61	M1244X	Pilot Orifice N/G
62	M1245X	Pilot Orifice L.P.
63	R3036X	S/S Pilot Tubing 45"
64	L5032X	Inspirator #2
65	R3075X	Spud Assembly #2 w/o Orifice
66	R3177A	Burner Orifice N/G (Drill #30)
67	R3077X	Burner Orifice L/P (Drill #48)
68	R3080X	Blank Spud #2 (For #2 Inspirator)
69	M1296X	Thermocouple T-46 (Used w/BGOR)

**Figure C** **Plumbing Control**



Item	Part #	Description
70	M1392X	Control Assy To Union N/G (BGOR)
71	M1393X	Control Assy To Union L/P (BGOR)
72	M1005X	Thermostat
73	S1056X	Thermostat Knob "F"
74	S1163X	Thermostat Knob "C"
75	R3152X	7000 Combo Valve N/G (BGOR)
76	R3154X	7000 Combo Valve L/P (BGOR)
77	M1297X	N/G BGOR Valve Conversion Kit
78	M1221X	L/P BGOR Valve Conversion Kit
79	R3156X	7000 Combo Valve N/G (Europe-BGOR)
N/S	Q4021X	Capillary Clip (Thermostat Sensor)



30 Pine Street • New Rochelle • New York • 10801

914 / 576 - 0200  
 914 / 576 - 0605 fax  
 1 - 800 - 431 - 2745 US & Canada  
 www.bakerspride.com web address

# GP-51

Counter Top Gas Oven

## PARTS LIST



Model Number: **GP-51**

Serial Number: \_\_\_\_\_

Type of Gas

Natural  L.P.  Other

# GP-51

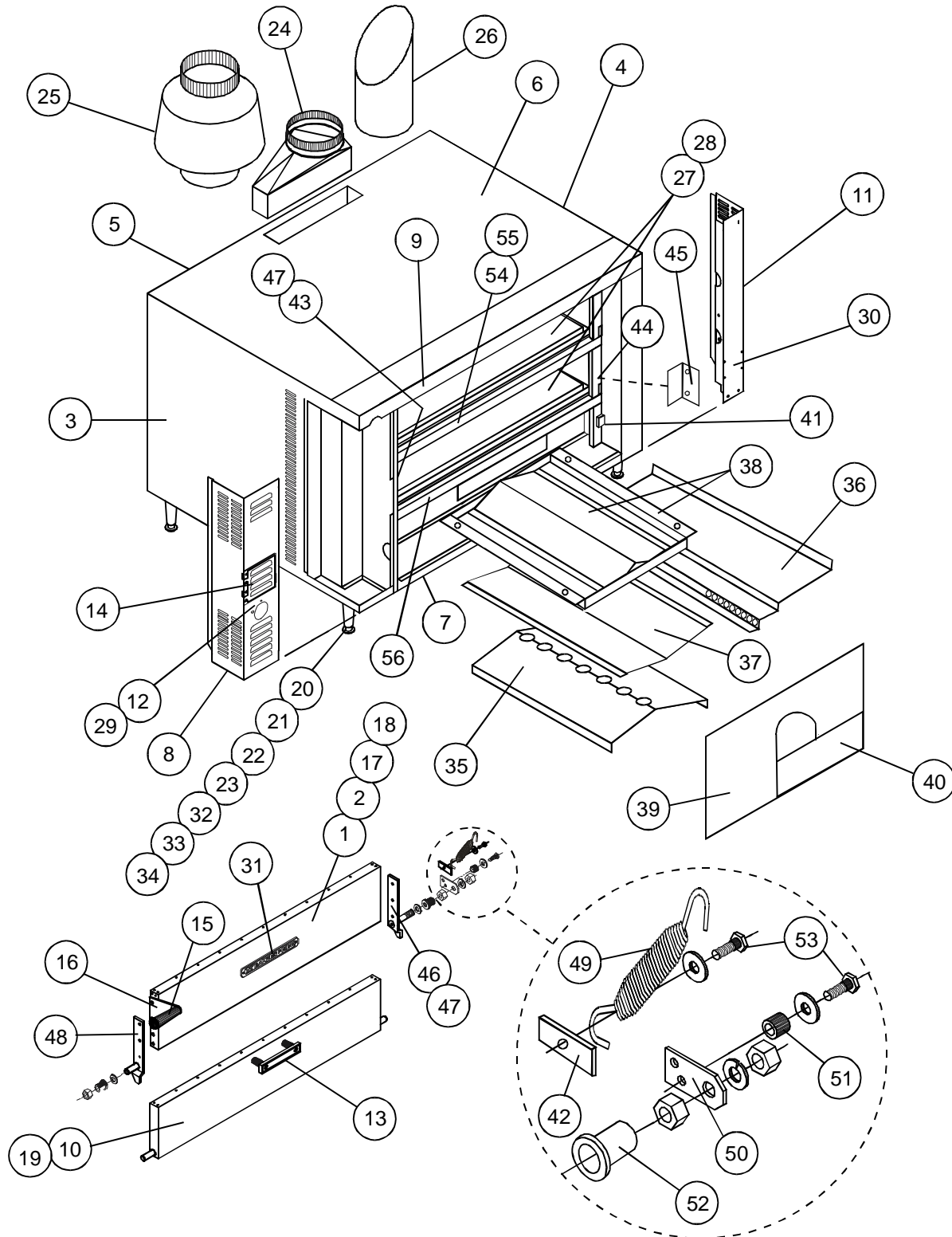
Counter Top Gas Oven

30 Pine Street • New Rochelle • New York • 10801

914 / 576 - 0200  
 914 / 576 - 0605 fax  
 1 - 800 - 431 - 2745 US & Canada  
 www.bakerspride.com web address



**Figure A Exterior / Decks / Burner Compartment / Door Rod / Interior Trim**



30 Pine Street • New Rochelle • New York • 10801

914 / 576 - 0200  
 914 / 576 - 0605 fax  
 1 - 800 - 431 - 2745 US & Canada  
 www.bakerspride.com web address

# GP-51

Counter Top Gas Oven

Item	Part #	Description	Item	Part #	Description
<b>Exterior / Decks</b>					
1	A5329U	S/S Top Door Cover 14"	18	A5329U	Top Door 14"
2	A5330K	S/S Top Door Cover 7"	19	A5338X	Burner Door
3	A5231X	Left Outer S/S Side	20	S1014A	4" Leg Adjustable
4	A5232X	Right Outer S/S Side	21	S1050Y	30" Leg Painted Gray
5	A5333X	Back Outer S/S	22	S1212Y	30" Leg S/S
6	A5334X	Top Outer S/S	23	S1241Y	16" Leg S/S
7	A5335X	Bottom Trim	24	R3087X	Flue Adapter 6"
8	A5226X	Control Panel	25	R3002Y	Direct Vent Draft Flue 6"
9	A5336K	Top Trim	26	R3103X	Collection Hood Draft Flue w/o Tabs
10	A5338T	Burner Door Cover S/S	27	T1192Y	Ceramic Deck (each)
11	A5227X	Right Front Panel S/S	28	T1192X	Ceramic Deck (set of 2)
12	A4129X	Control Panel w/Lighting Instr. Plate	29	U1172X	Lighting Instruction Plate
13	S1149X	Burner Door Handle w/Screw	30	U1140X	Minimum Clearance Plate
14	S1153X	Control Door Knob w/Screw	31	U1044X	Bakers Pride Name Plate 8"
15	S1300X	Top Door Handle w/Screw	32	T8089X	Leg Shelf
16	A5253X	Door Handle Mount	33	S1022X	4" Casters w/No Locks
17	A5330T	Top Door 7"	34	S1023X	4" Casters w/Locks
<b>Burner Compartment</b>					
35	A5258X	Upper Breather Pan	39	A5301K	Combustion Chamber Front Center
36	A5321K	Flue Deflector (Set: Left & Right)	40	A5302K	Burner Access Cover
37	A5237X	Slide Out Flame Diverter	41	S3203X	Magnetic Latch Assembly
38	A5341K	Insulation Pan (Set: Top & Bottom)			
<b>Door Rod &amp; Accessories / Interior Trim</b>					
42	A5288X	Spring Bracket	49	S3105X	Door Spring (used with 14" door)
43	A5291X	Left Door Stop	50	A5295X	Lever Arm
44	A5292X	Right Door Stop	51	S3007X	Roller
45	A5293X	Door Stop Shield (Fits on Left or Right)	52	S3008X	Bushing
46	A5297X	Right Door Arm Assembly	53	Q2301X	Shoulder Bolt
47	A5308X	Right Door Arm Assembly (Complete)	54	A5325U	Upper Deck Trim Assembly 7" Door
48	A5296X	Left Door Arm Assembly	55	A5339U	Upper Deck Trim Assembly 14" Door
49	S3004X	Door Spring (used with 7" door)	56	A5324U	Lower Deck Trim Assembly (All)
<b>Quan</b>	<b>Part #</b>	<b>Description</b>	<b>Quan</b>	<b>Part #</b>	<b>Description</b>
<b>BGOR Conversion Kit (From Nat. to L.P.)</b>			<b>BGOR Conversion Kit (From L.P. to Nat.)</b>		
1	R3077X	Burner Orifice L/P (Drill #48)	1	R3177X	Burner Orifice N/G (Drill #30)
1	M1245X	Pilot Orifice L.P.	1	M1244X	Pilot Orifice N/G
1	M1221X	L/P BGOR or BMVR Valve Conversion Kit	1	M1297X	N/G BGOR Valve Conversion Kit