

EP-2-2828

Countertop Model Electric Pizza Oven

30 Pine Street • New Rochelle • New York • 10801
 +1 914 / 576 - 0200
 +1 914 / 576 - 0605 fax
 1 - 800 - 431 - 2745 US & Canada
 www.bakerspride.com web address



Figure 4 Door Hardware

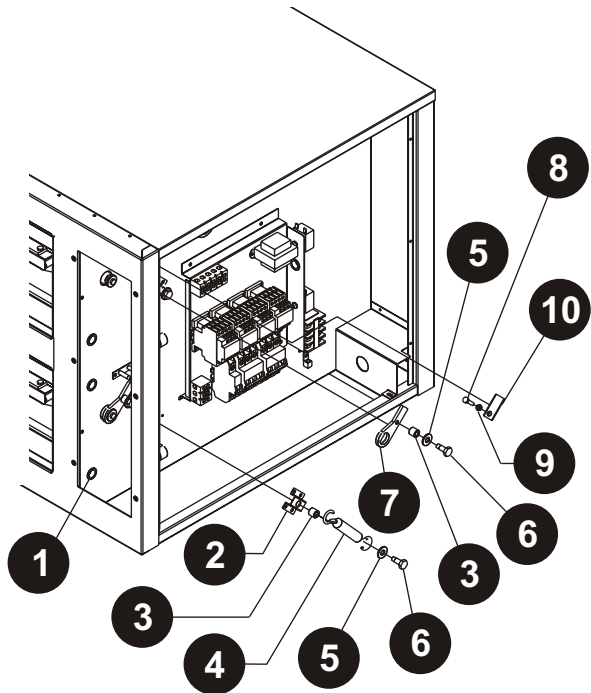


Figure 5 Electric Components

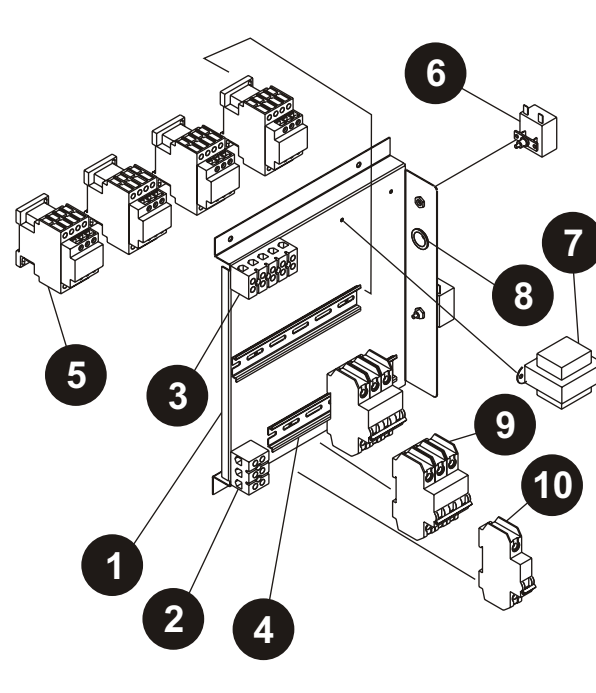


FIGURE 4 DOOR HARDWARE

ITEM	PART NO	DESCRIPTION	QTY	USAGE DATES	
				FROM	TO
1	P1018X	Snap Bushing	8	Apr 04	
2	C4075X	Spring Adjustment Bracket	2	Apr 04	
3	S3007X	Spring Bushing	4	Apr 04	
4	S3004X	Spring	2	Apr 04	
5	Q3019X	Washer	4	Apr 04	
6	Q2301X	Shoulder Bolt	4	Apr 04	
7	C5056X	Door Stop Bracket	2	Apr 04	
8	Q2111X	1/4-20 Hex Bolt	2	Apr 04	
9	Q2001X	1/4-20 Hex Nut	2	Apr 04	
10	C5027X	Door Stop Bracket	2	Apr 04	

FIGURE 5 ELECTRIC COMPONENTS

1	C5025X	Component Bracket	1	Apr 04	
2	P1003X	Terminal Block - 3 pos	1	Apr 04	
3	P1068X	Terminal Block - 5 pos	1	Apr 04	
4	P1207X	Din Rail	2	Apr 04	
5	M1371X	Contactor	4	Apr 04	
6	M1482X	Thermostat	2	Apr 04	
7	M1360X	Transformer	1	Apr 04	
8	P1018X	Snap Bushing	1	Apr 04	
9	P1192X	Circuit Breaker-3 P 10A	2	Apr 04	
10	P1201X	Circuit Breaker-1 P 10A	1	Apr 04	

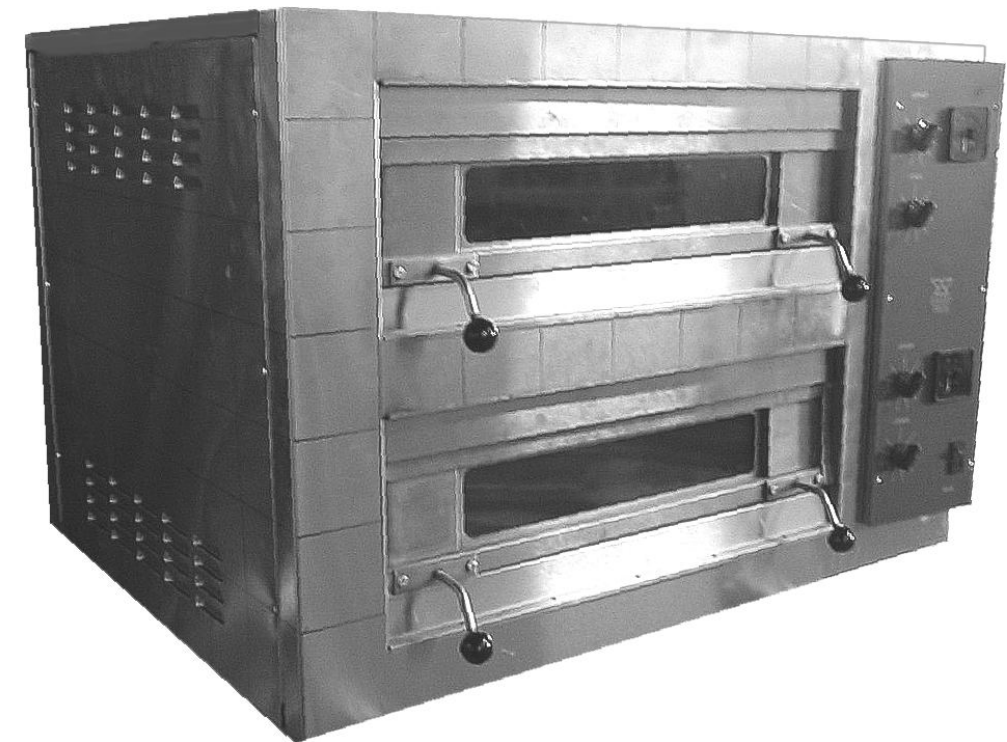


30 Pine Street • New Rochelle • New York • 10801
 +1 914 / 576 - 0200
 +1 914 / 576 - 0605 fax
 1 - 800 - 431 - 2745 US & Canada
 www.bakerspride.com web address

EP-2-2828

Countertop Model Electric Pizza Oven

PARTS LIST



Model Number: **EP-2-2828**

Voltage/Phase

Serial Number: _____

230V/1

400V/3

EP-2-2828

Countertop Model Electric Pizza Oven

30 Pine Street • New Rochelle • New York • 10801
 +1 914 / 576 - 0200
 +1 914 / 576 - 0605 fax
 1 - 800 - 431 - 2745 US & Canada
 www.bakerspride.com web address



Figure 1 Main Body

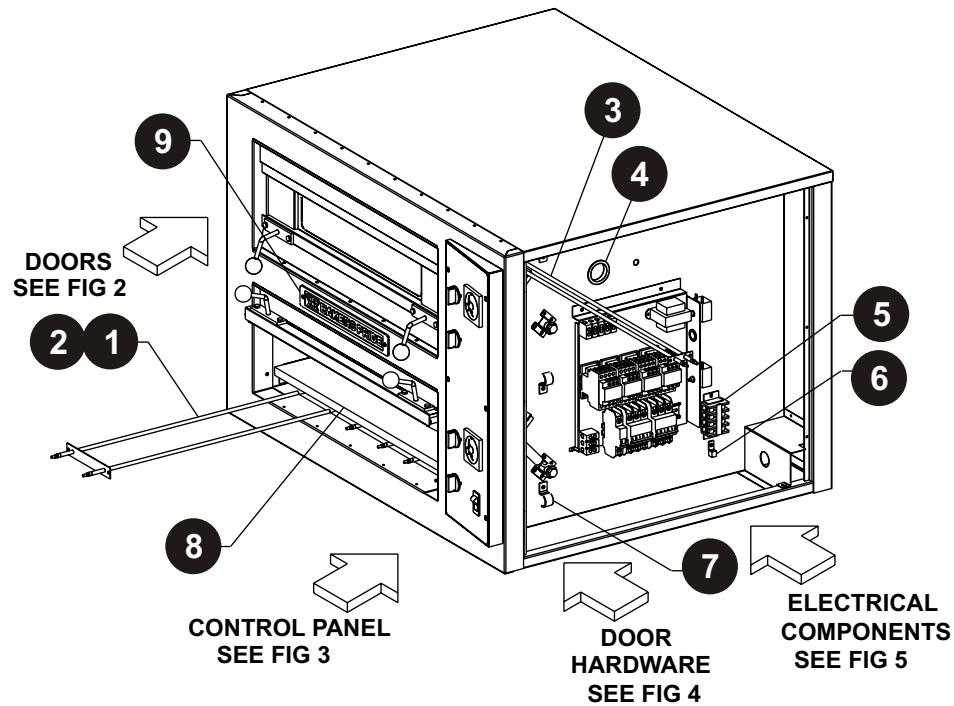


Figure 2 Doors

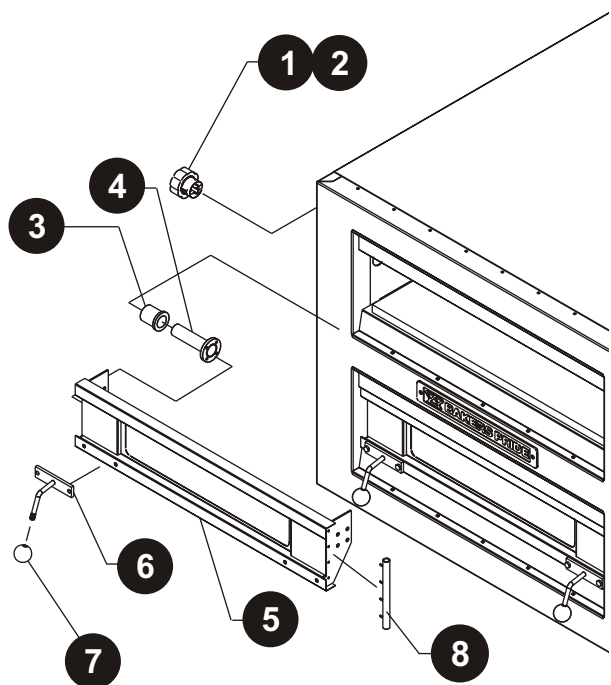
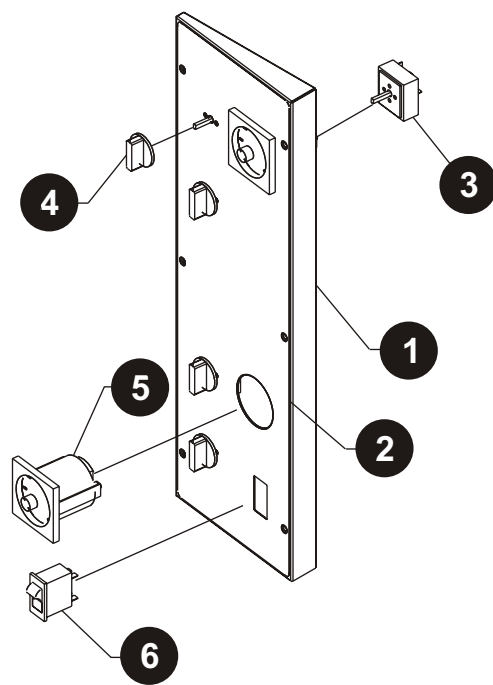


Figure 3 Control Panel



30 Pine Street • New Rochelle • New York • 10801
 +1 914 / 576 - 0200
 +1 914 / 576 - 0605 fax
 1 - 800 - 431 - 2745 US & Canada
 www.bakerspride.com web address

EP-2-2828

Countertop Model Electric Pizza Oven

Figure 1 Main Body

ITEM	PART NO	DESCRIPTION	QTY	USAGE DATES	
				FROM	TO
1	L1193X	Upper Element - 500W	6	Apr 04	
2	L1194X	Lower Element - 750W	6	Apr 04	
3	L1195X	Front Element - 750W	2	Apr 04	
4	P1045X	Snap Bushing	2	Apr 04	
5	P1098X	Terminal Block	1	Apr 04	
6	P1025X	Ground Lug	2	Apr 04	
7	P1074X	Wire Clamp	3	Apr 04	

Figure 2 Doors

ITEM	PART NO	DESCRIPTION	QTY	USAGE DATES	
				FROM	TO
1	P1194X	Lamp-Halogen	2	Apr 04	
2	P1195X	Lens - 58 mm	2	Apr 04	
3	S3271X	Door Hinge Bushing	3	Apr 04	
4	C5050X	Door Hinge Assembly	3	Apr 04	
5	C5041X	Door Assembly - Window	2	Apr 04	
	C5040X	Door Assembly - Solid	2	Apr 04	
6	C5055X	Door Handle Assembly	4	Apr 04	
7	S1403X	Knob - 1-1/4	4	Apr 04	
8	S6064X	Door Seal	4	Apr 04	

Figure 3 Control Panel

ITEM	PART NO	DESCRIPTION	QTY	USAGE DATES	
				FROM	TO
1	C5029X	Control Panel	1	Apr 04	
2	U1382X	Overlay	1	Apr 04	
3	M1368X	Infinite Switch	4	Apr 04	
4	S1306X	Knob	4	Apr 04	
5	M1481X	Thermostat	2	Apr 04	
6	M1352X	Switch	1	Apr 04	