



30 Pine Street • New Rochelle • New York • 10801
 914 / 576 - 0200
 914 / 576 - 0605 fax
 1 - 800 - 431 - 2745 US & Canada
 www.bakerspride.com web address

XXE-4, 6, 8, 10

Gas Char Broiler

PARTS LIST

Dante
SERIES



Model Number		Serial Number	Type of Gas					
XXE-4	<input type="checkbox"/>	_____	Natural	<input type="checkbox"/>	L.P.	<input type="checkbox"/>	Other	<input type="checkbox"/>
XXE-6	<input type="checkbox"/>							
XXE-8	<input type="checkbox"/>							
XXE-10	<input type="checkbox"/>							

XXE-4, 6, 8, 10

Gas Char Broiler

30 Pine Street • New Rochelle • New York • 10801

914 / 576 - 0200

914 / 576 - 0605 fax

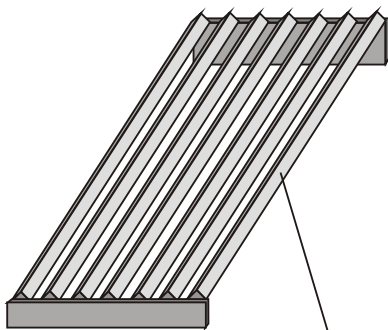
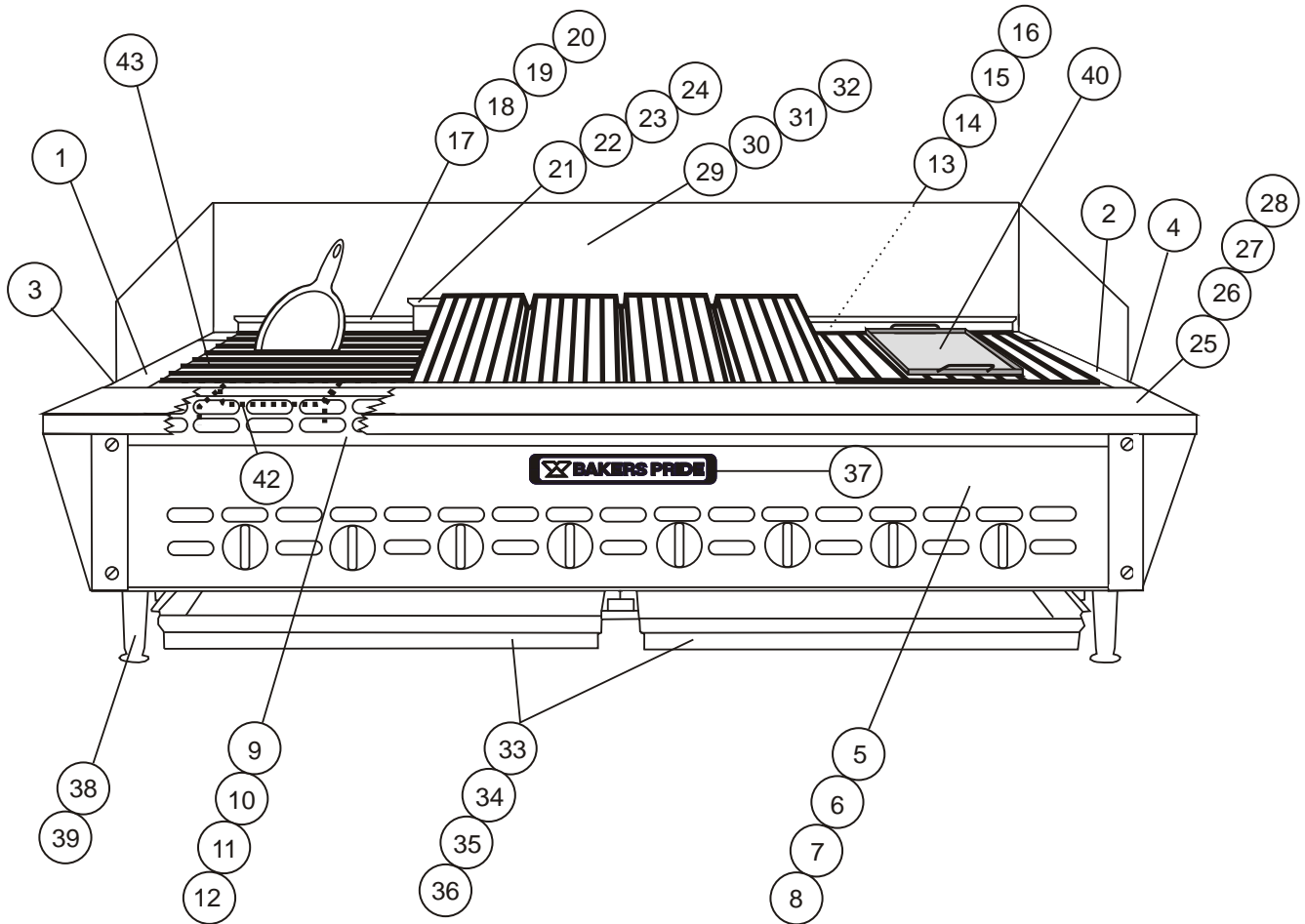
1 - 800 - 431 - 2745 US & Canada

www.bakerspride.com web address

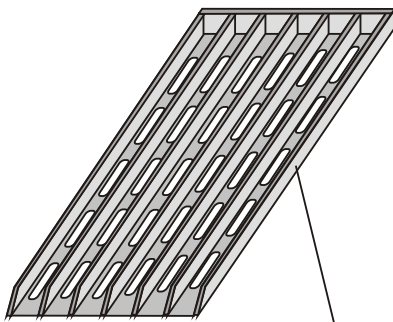


Figure A

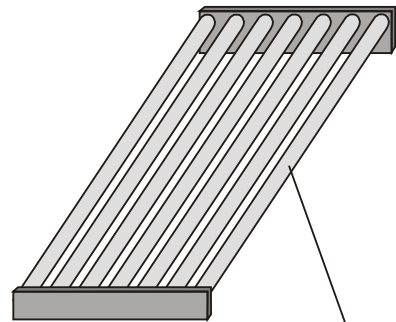
Exterior / Grates



44



41



45



30 Pine Street • New Rochelle • New York • 10801
 914 / 576 - 0200
 914 / 576 - 0605 fax
 1 - 800 - 431 - 2745 US & Canada
 www.bakerspride.com web address

XXE-4, 6, 8, 10

Gas Char Broiler

Item	Part #	Description	Item	Part #	Description
Exterior / Grates					
1	G1011K	Top Side Trim, SS, Left	24	G1058K	3rd Level Bracket (XX-10)
2	G1012K	Top Side Trim, SS, Right	25		Work Deck, S/S (XXE-4) Optional
3	G1458K	Outer Side, Left (XXE)	26		Work Deck, S/S (XXE-6) Optional
4	G1459K	Outer Side, Right (XXE)	27		Work Deck, S/S (XXE-8) Optional
5	G1454K	Control Panel (XXE-4)	28		Work Deck, S/S (XXE-10) Optional
6	G1455K	Control Panel (XXE-6)	29	G1081X	Splash Guard, S/S (XX-4) Optional
7	G1456K	Control Panel (XXE-8)	30	G1082X	Splash Guard, S/S (XX-6) Optional
8	G1457K	Control Panel (XXE-10)	31	G1083X	Splash Guard, S/S (XX-8) Optional
9	G1474K	Top Front Trim (XXE-4)	32	G1084X	Splash Guard, S/S (XX-10) Optional
10	G1475K	Top Front Trim (XXE-6)	33	T3033K	Grease Pan (XX-4) 20 3/8", 1 used
11	G1476K	Top Front Trim (XXE-8)	34	T3034K	Grease Pan (XX-6 or 10) 30 7/8", 1 used
12	G1477K	Top Front Trim (XXE-10)	35	T3035K	Grease Pan (XX-8) 19 5/8", 2 used
13	G1461K	Outer Back (XXE-4)	36	T1036T	Grease Pan (XX-10) 19 1/4", 1 used
14	G1462K	Outer Back (XXE-6)	37	U1043A	Name Plate, 13 1/4", Bakers Pride
15	G1463K	Outer Back (XXE-8)	38	S1014Y	Leg, 4" Adjustable (Each)
16	G1464K	Outer Back (XXE-10)	39	S1014X	Leg, 4" Adjustable (Set/4)
17	G1021U	1st/2nd Level Assy (XX-4)	40	T1020T	Griddle Plate (Optional) 16"
18	G1022U	1st/2nd Level Assy (XX-6)	41	T1006A	Grate, Top, Flat Cast Iron (5 1/4")
19	G1023U	1st/2nd Level Assy (XX-8)	42	T1183T	Grate, fajita Bottom
20	G1024U	1st/2nd Level Assy (XX-10)	43	T1185S	Grate, fajita Top
21	G1055K	3rd Level Bracket (XX-4)	44	T1172T	Grate, Meat 10 1/2"
22	G1056K	3rd Level Bracket (XX-6)	45	T1166T	Grate, Fish 10 1/2"
23	G1057K	3rd Level Bracket (XX-8)			

XXE-4, 6, 8, 10

Gas Char Broiler

30 Pine Street • New Rochelle • New York • 10801

914 / 576 - 0200

914 / 576 - 0605 fax

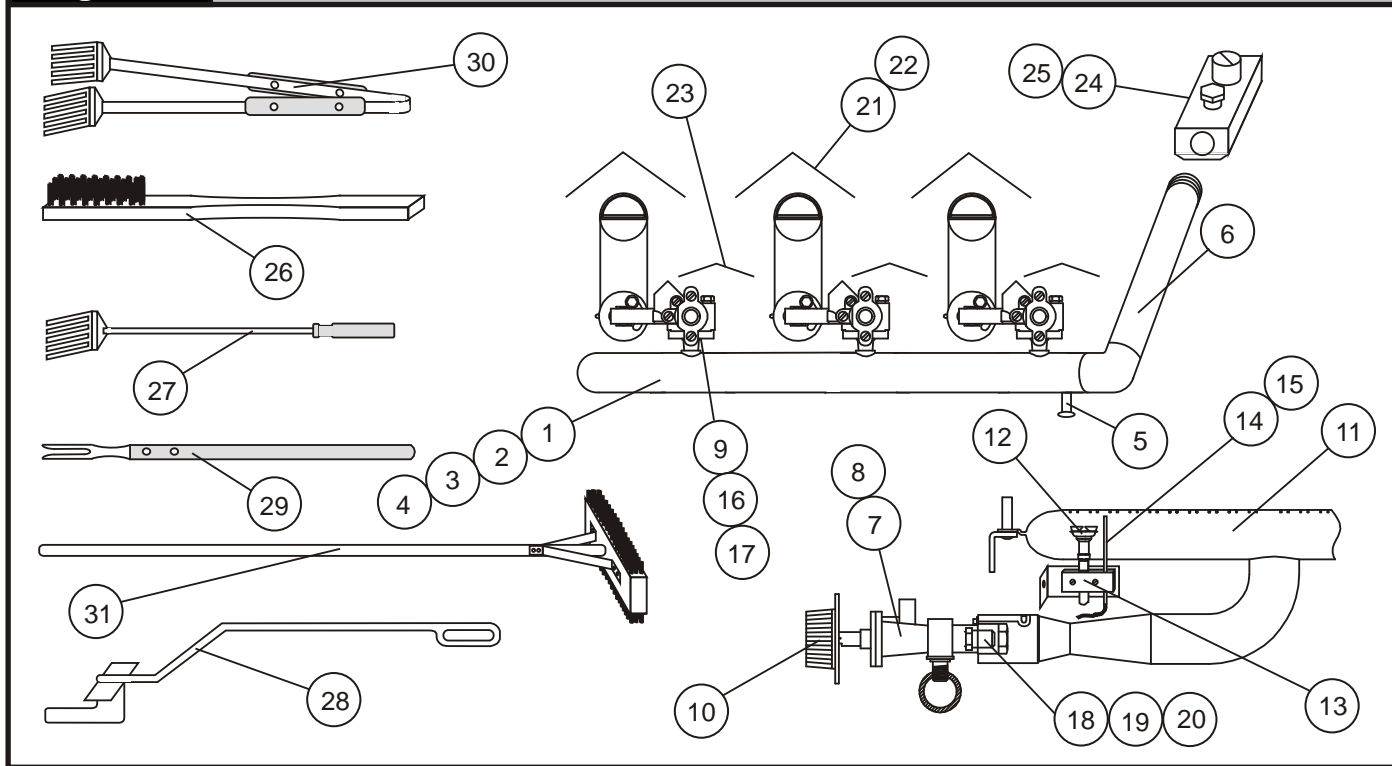
1 - 800 - 431 - 2745 US & Canada

www.bakerspride.com web address



Figure C

Burner / Accessories



Item	Part #	Description	Item	Part #	Description
1	R1085P	Manifold Assy (XXE-4)	17	N1010A	Ferrule, 3/16"
2	R1086P	Manifold Assy (XXE-6)	18	R3147P	Orifice Hood #41, Nat (XXE)
3	R1087P	Manifold Assy (XXE-8)	19	R3172P	Orifice Hood #53, LP (XXE)
4	R1088P	Manifold Assy (XXE-10)	20	R3023A	Orifice Hood, Blank
5	N3068P	Pressure Tap Nozzle Assy	21	T1155T	Radiant, S/S (23") Standard
6	N5217P	Inlet Gas Pipe (XX)	22	T1007A	Radiant, Cast Iron (23") Optional
7	R3128A	Valve, Multi Gas Cock	23	G1470K	Heat Shield (XXE-4 uses 5) (XXE-6 uses 7) (XXE-8 uses 9) (XXE-10 uses 11)
8	M1053A	Valve, Junker O/S	24	M1009A	Pressure Regulator, 3/4", 10" WC
9	R3181P	Pilot Tubing, 5" (XXE)	25	M1184A	Pressure Regulator, 3/4", 3.5" WC
10	S1301A	Knob, CE Broiler	26	T5017A	Wire Brush, Chef-Aide, 18"
11	L5078A	Burner, Center Feed (XXE)	27	T5018U	Spatula, Chef-Aide, 20", Single
12	M1359A	Pilot Burner	28	T5041T	Grate Lifter, 3' x 20"
13	G1472K	Pilot Burner Mounting Bracket (XXE)	29	T5016A	Meat Fork
14	M1358A	Thermocouple, 10"	30	T5019V	Steak Turner
15	M1267X	Thermocouple (used w/O.S. Junker Valve)	31	T5104V	Twin Head Grate Brush
16	N1007A	Compression Nut, 3/16", Female			
Conversion Kit (LP to Nat)			Conversion Kit (Nat to LP)		
	R3147P	Hood Orifice # 41, Nat. (XXE-4 uses 4) (XXE-6 uses 4) (XXE-8 uses 6) (XXE-10 uses 10)		R3172P	Hood Orifice #53, L.P. (XXE-4 uses 4) (XXE-6 uses 4) (XXE-8 uses 6) (XXE-10 uses 10)
	M1184A	Pressure Regulator, 3/4", 3.5" WC (Qty. 1)		M1009A	Pressure Regulator, 3/4", 10" WC (Qty. 1)