



30 Pine Street • New Rochelle • New York • 10801

914 / 576 - 0200

914 / 576 - 0605 fax

1 - 800 - 431 - 2745 US & Canada

www.bakerspride.com web address

XX-4, 6, 8, 10, 12

Gas Char Broiler

PARTS LIST

Dante
SERIES



Model Number

XX-4 XX-6 XX-8

XX-10 XX-12

Serial Number

Type of Gas

Natural L.P. Other

XX-4, 6, 8, 10, 12

Gas Char Broiler

30 Pine Street • New Rochelle • New York • 10801

914 / 576 - 0200

914 / 576 - 0605 fax

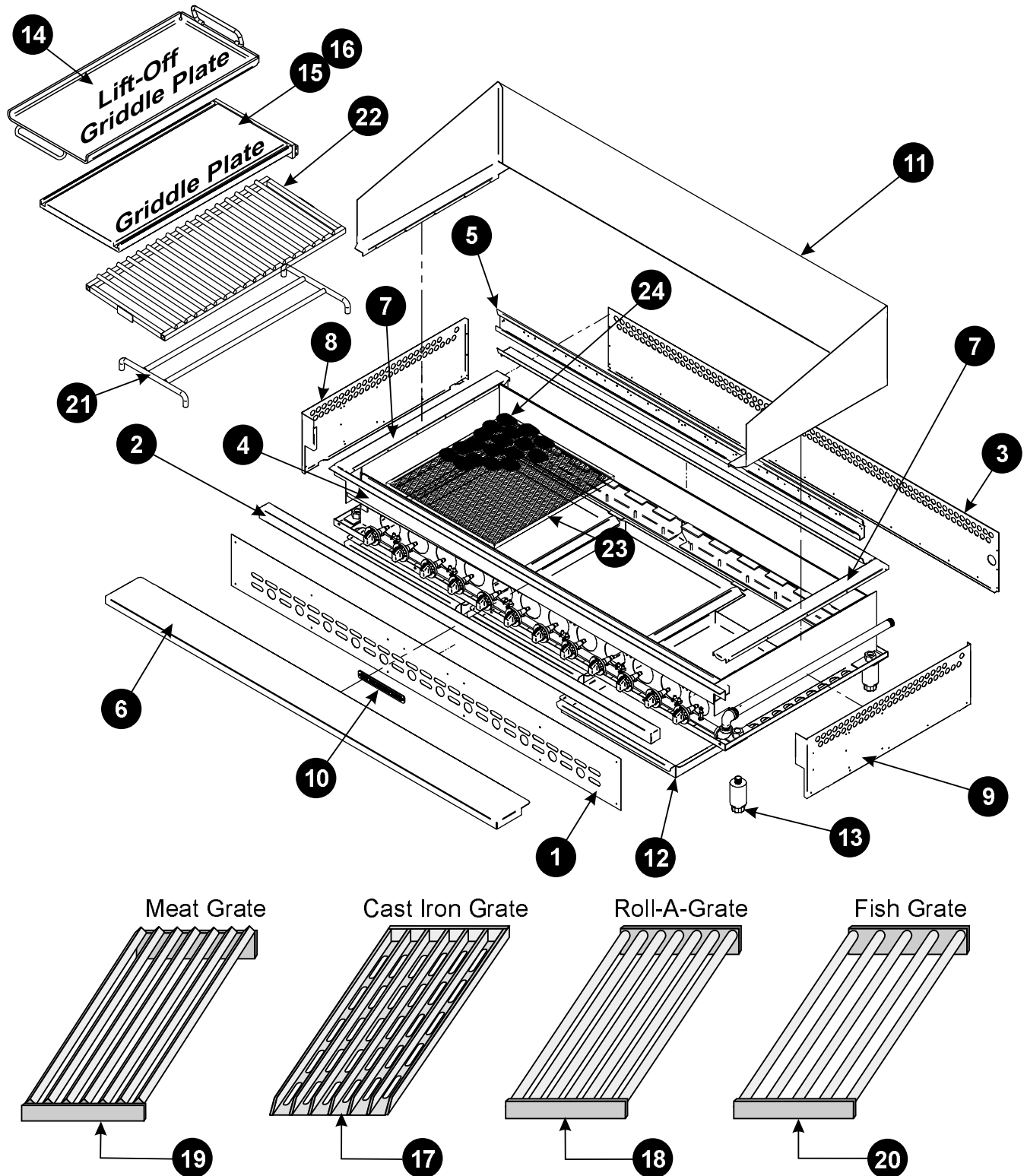
1 - 800 - 431 - 2745 US & Canada

www.bakerspride.com web address



Figure A

Exterior / Grates





30 Pine Street • New Rochelle • New York • 10801

914 / 576 - 0200

914 / 576 - 0605 fax

1 - 800 - 431 - 2745 US & Canada

www.bakerspride.com web address

XX-4, 6, 8, 10, 12

Gas Char Broiler

Item	Part #	Description	Item	Part #	Description
Exterior / Grates					
1	G1013X	Control Panel (XX-4)	11	G1081X	Splash Guard, S/S (XX-4) Optional
	G1014X	Control Panel (XX-6)		G1082X	Splash Guard, S/S (XX-6) Optional
	G1015X	Control Panel (XX-8)		G1083X	Splash Guard, S/S (XX-8) Optional
	G1016X	Control Panel (XX-10)		G1084X	Splash Guard, S/S (XX-10) Optional
	G1249K	Control Panel (XX-12)		G1237U	Splash Guard, S/S (XX-12) Optional
2	G1007X	Top Front Trim (XX-4)	12	T3033T	Grease Pan (XX-4 & 12) 20 3/8", 1 used
	G1008X	Top Front Trim (XX-6)		T3034T	Grease Pan (XX-6 & XX-10) 30 7/8", 1 used
	G1009X	Top Front Trim (XX-8)		T3035T	Grease Pan (XX-8) 19 5/8", 2 used or (XX-12) 1 used
	G1010X	Top Front Trim (XX-10)		T3036T	Grease Pan (XX-10) 19 1/2", 1 used
	G1248K	Top Front Trim (XX-12)	13	S1394Y	Leg, 4" Adjustable, Cylindrical 2" Dia. (Each)
3	G1122K	Outer Back (XX-4)		S1394X	Leg, 4" Adjustable, Cylindrical 2" Dia. (Set/4)
	G1123K	Outer Back (XX-6)		G1495A	Leg Adaptor (Not Shown)
	G1124K	Outer Back (XX-8)			(Needed for old style tapered, hex top legs only)
	G1125K	Outer Back (XX-10)	14	T1241U	Lift-Off Griddle 10 1/2"
	G1232K	Outer Back (XX-12)	15	T1251T	In-Line Griddle 10 1/2"
4	G1051K	Front Brace (XX-4)	16	T1020T	Griddle Plate 16"
	G1052K	Front Brace (XX-6)	17	T1216A	Grate, Top, Flat Cast Iron (4 1/2")
	G1053K	Front Brace (XX-8)		T1212A	Grate, Top, Flat Cast Iron (6")
	G1054K	Front Brace (XX-10)	18	T1199U	Roll-A-Grate (4 1/2")
	G1245K	Front Brace (XX-12)		T1198U	Roll-A-Grate (6")
5	G1021X	1st/2nd Level Assy (XX-4)	19	T1217U	Grate, Meat (4 1/2")
	G1022X	1st/2nd Level Assy (XX-6)		T1210U	Grate, Meat (6")
	G1023X	1st/2nd Level Assy (XX-8)	20	T1230T	Grate, Fish (4 1/2")
	G1024X	1st/2nd Level Assy (XX-10)		T1229T	Grate, Fish (6")
	G1247K	1st/2nd Level Assy (XX-12)		T1166T	Grate, Fish (10 1/2")
6	G1070X	Work Deck, S/S (XX-4) Optional	21	T1183T	Grate, Fajita, Bottom
	G1078X	Work Deck, S/S (XX-6) Optional	22	T1185S	Grate, Fajita, Top
	G1079X	Work Deck, S/S (XX-8) Optional	23	*T1243U	Long Bottom Grate 31 9/16 (Glo-Stone Option Only)
	G1080X	Work Deck, S/S (XX-10) Optional		*T1242U	Short Bottom Grate 21 1/16 (Glo-Stone Option Only)
	G1296K	Work Deck, S/S (XX-12) Optional	24	*T1250A	Briquettes, Ceramic 9.5 lb Bag (Glo-Stone Option Only)
7	G1011X	Top Side Trim, SS, Left		* NOTE:	
	G1012X	Top Side Trim, SS, Right			XX-4: (1) T1242U, (2) T1250A
8	G1126X	Outer Side, Left (XX)			XX-6: (1) T1243U, (3) T1250A
9	G1127K	Outer Side, Right (XX)			XX-8: (2) T1242U, (4) T1250A
10	U1044X	Name Plate, 8", Bakers Pride			XX-10: (1) T1242U, (1) T1243U, (5) T1250A
					XX-12: (2) T1243U, (6) T1250A

XX-4, 6, 8, 10, 12

Gas Char Broiler

30 Pine Street • New Rochelle • New York • 10801

914 / 576 - 0200

914 / 576 - 0605 fax

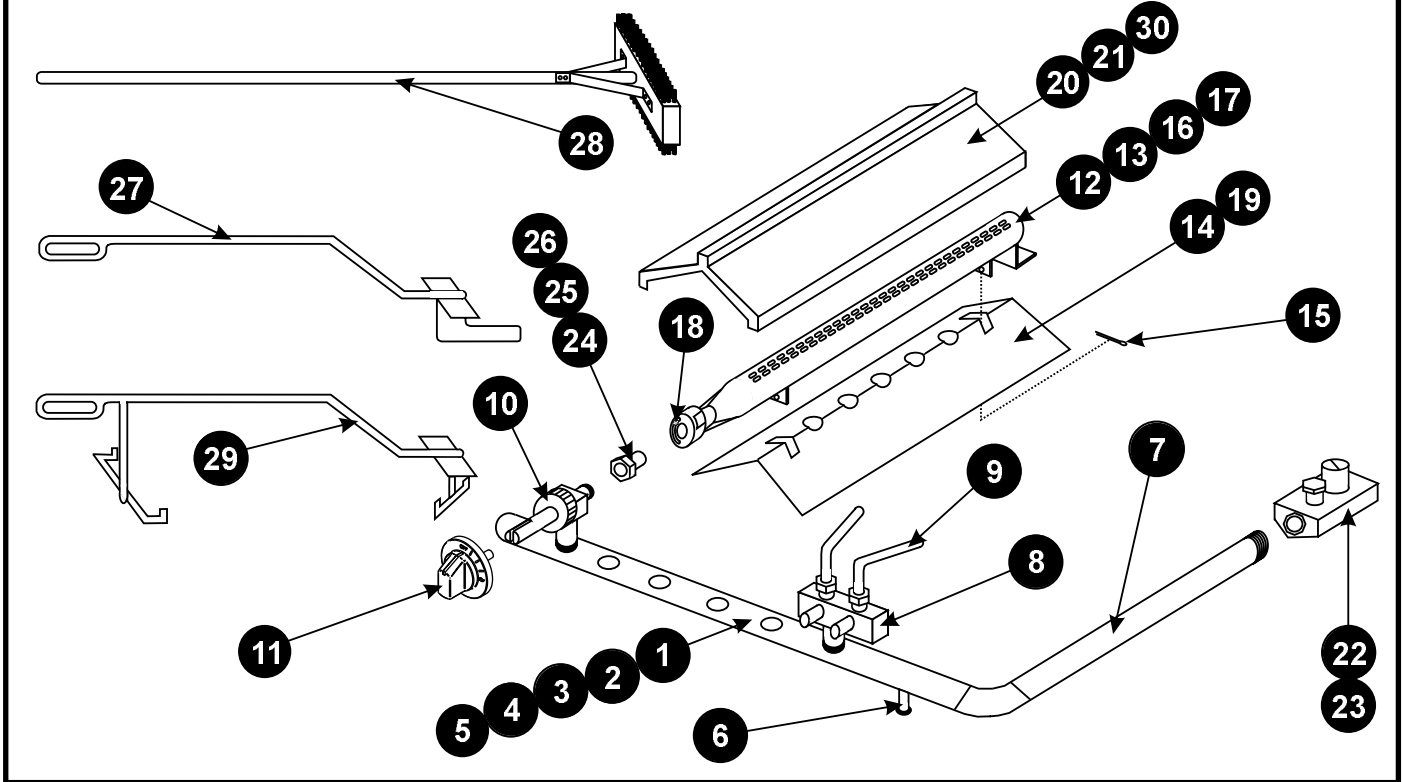
1 - 800 - 431 - 2745 US & Canada

www.bakerspride.com web address



Figure B

Burner / Accessories



Item	Part #	Description	Item	Part #	Description
1	R1017X	Manifold Assy (XX-4)	16	L5027V	Burner Assy Complete, C.I. 24" (XX) O/S
2	R1018X	Manifold Assy (XX-6)	17	L5014V	Burner Only, C.I. 24" w/ Mixer Cap (XX) O/S
3	R1019X	Manifold Assy (XX-8)	18	R3022X	Air Mixer Cap w/Screw (C.I. Burner only)
4	R1020X	Manifold Assy (XX-10)	19	H1008X	Grease Guard Only (C.I. Burner)
5	R1133X	Manifold Assy (XX-12)	20	T1007A	Radiant Cast Iron (23") Optional (Shown)
6	N3068P	Pressure Tap Nozzle Assy	21	T1155T	Radiant S/S (23") Standard
7	N5217A	Gas Inlet Pipe (XX Series)	22	M1009X	Pressure Regulator, 3/4", 10" WC
8	R3020X	Valve, Pilot-Dual	23	M1008X	Pressure Regulator, 3/4", 5" WC
9	R3042X	Pilot Tubing, 7 3/8" (XX Series)	24	R3043X	Orifice Hood #47, Nat (XX)
10	R3032X	Valve, Burner (LML) w.o./Knob	25	R3044X	Orifice Hood #55, LP (XX)
11	S1416X	Knob, Gas Valve, On/Off (XX Series)	26	R3023X	Orifice Hood, Blank
12	L5019X	Burner Assy Complete, Tube 24" (XX)	27	T5041T	Grate Lifter (Cast Iron), 3' x 20"
13	L5013X	Burner Only, Tube 24" (XX)	28	T5104V	Twin Head Grate Brush
14	H1044X	Grease Guard Only (Tube Burner)	29	G5221U	Grate Lifter (Roll-A-Grate)
15	Q4008X	Cotter Pin, 1/8" x 2"	30	G1290U	Bottom Grate Burner Shield (Glo-Stone Only)

Conversion Kit (LP to Nat)

R3043X	Hood Orifice # 47, Nat. (XX-4 uses 4) (XX-6 uses 6) (XX-8 uses 8) (XX-10 uses 10) (XX-12 uses 12)
M1008X	Pressure Regulator, 3/4", 5" WC (Qty. 1)

Conversion Kit (Nat to LP)

R3044X	Hood Orifice #55, L.P. (XX-4 uses 4) (XX-6 uses 6) (XX-8 uses 8) (XX-10 uses 10) (XX-12 uses 12)
M1009X	Pressure Regulator, 3/4", 10" WC (Qty. 1)