

# SGBR-2, 3, 4, 5, 6, 7

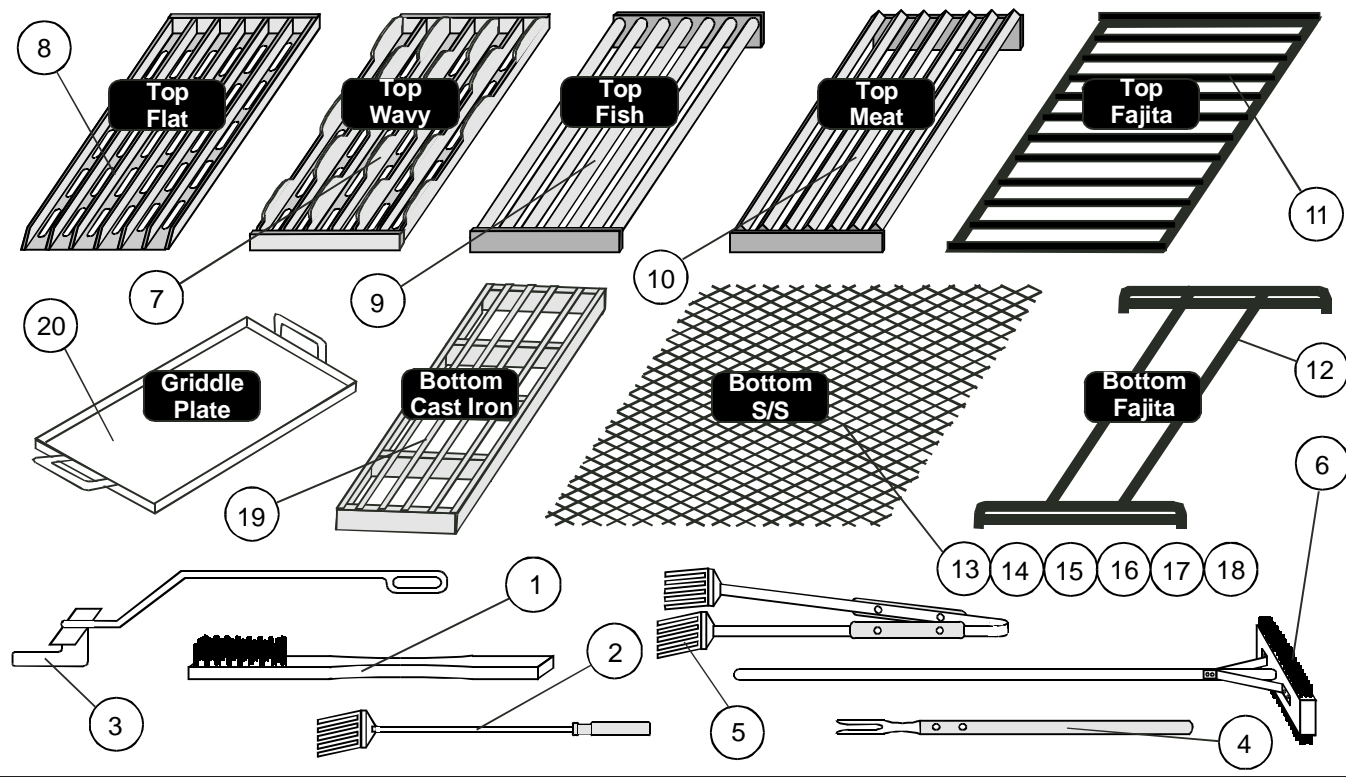
Gas Char Broiler

30 Pine Street • New Rochelle • New York • 10801

914 / 576 - 0200  
 914 / 576 - 0605 fax  
 1 - 800 - 431 - 2745 US & Canada  
 www.bakerspride.com web address



## Figure B Grates / Accessories



Item	Part #	Description	Item	Part #	Description
1	T5017A	Wire Brush, Chef-Aide 18"	12	T1184T	Bottom Grate, Fajita, 13 1/2"W
2	T5018V	Spatula, Chef-Aide 20", Single	13	T1015A	Bottom S/S Grate #2 (SGBR-2)
3	T5041T	Grate Lifter, 3' x 20"	14	T1016A	Bottom S/S Grate #3 (SGBR-3)
4	T5016A	Meat Fork	<b>Note: Required for a complete set of Bottom Grates:</b>		
5	T5019V	Steak Turner	15	T1064X	SGBR-4 (2 T1015A)
6	T5104V	Twin Head Grate Brush	16	T1065X	SGBR-5 (1 T1015A, 1 T1016A)
7	T1011A	Top Grate, Wavy, 6 3/4"W (Standard)	17	T1066X	SGBR-6 (2 T1016A)
8	T1013A	Top Grate, Flat, 6 3/4"W (Optional)	18	T1067X	SGBR-7 (2 T1015A, 1 T1016A)
9	T1167T	Top Grate, Fish, 13 1/2"W	19	T1010A	Bottom Cast Iron Grate, 4 1/2"W (Opt)
10	T1173T	Top Grate, Meat, 13 1/2"W	20	T1021T	Griddle Plate (Optional)
11	T1186T	Top Grate, Fajita, 13 1/2"W			

Conversion Kit (LP to Nat)		Conversion Kit (Nat to LP)	
R3028X	*Orifice Spud, Drill #49, Nat *# Used: SGBR2-6, SGBR3-9, SGBR4-12 SGBR5-16, SGBR6-20, SGBR7-22	R3031X	*Orifice Spud, Drill #56, LP *# Used: SGBR2-6, SGBR3-9, SGBR4-12 SGBR5-16, SGBR6-20, SGBR7-22
M1008X	*Pressure Regulator, 3/4", Nat, 5"W/C *Used On: SGBR2 & SGBR3	M1009X	*Pressure Regulator, 3/4", LP, 10"W/C *Used On: SGBR2 & SGBR3
M1066X	*Pressure Regulator, 1", Nat, 5"W/C *Used On: SGBR4, 5, 6 & 7	M1067X	*Pressure Regulator, 1", LP, 10"W/C *Used On: SGBR4, 5, 6 & 7



30 Pine Street • New Rochelle • New York • 10801

914 / 576 - 0200  
 914 / 576 - 0605 fax  
 1 - 800 - 431 - 2745 US & Canada  
 www.bakerspride.com web address

# SGBR-2, 3, 4, 5, 6, 7

Gas Char Broiler

## PARTS LIST

Dante  
SERIES



Model Number			Serial Number	Type of Gas
SGBR-2 <input type="checkbox"/>	SGBR-3 <input type="checkbox"/>	SGBR-4 <input type="checkbox"/>	_____	Natural <input type="checkbox"/>
SGBR-5 <input type="checkbox"/>	SGBR-6 <input type="checkbox"/>	SGBR-7 <input type="checkbox"/>		L.P. <input type="checkbox"/> Other <input type="checkbox"/>

# SGBR-2, 3, 4, 5, 6, 7

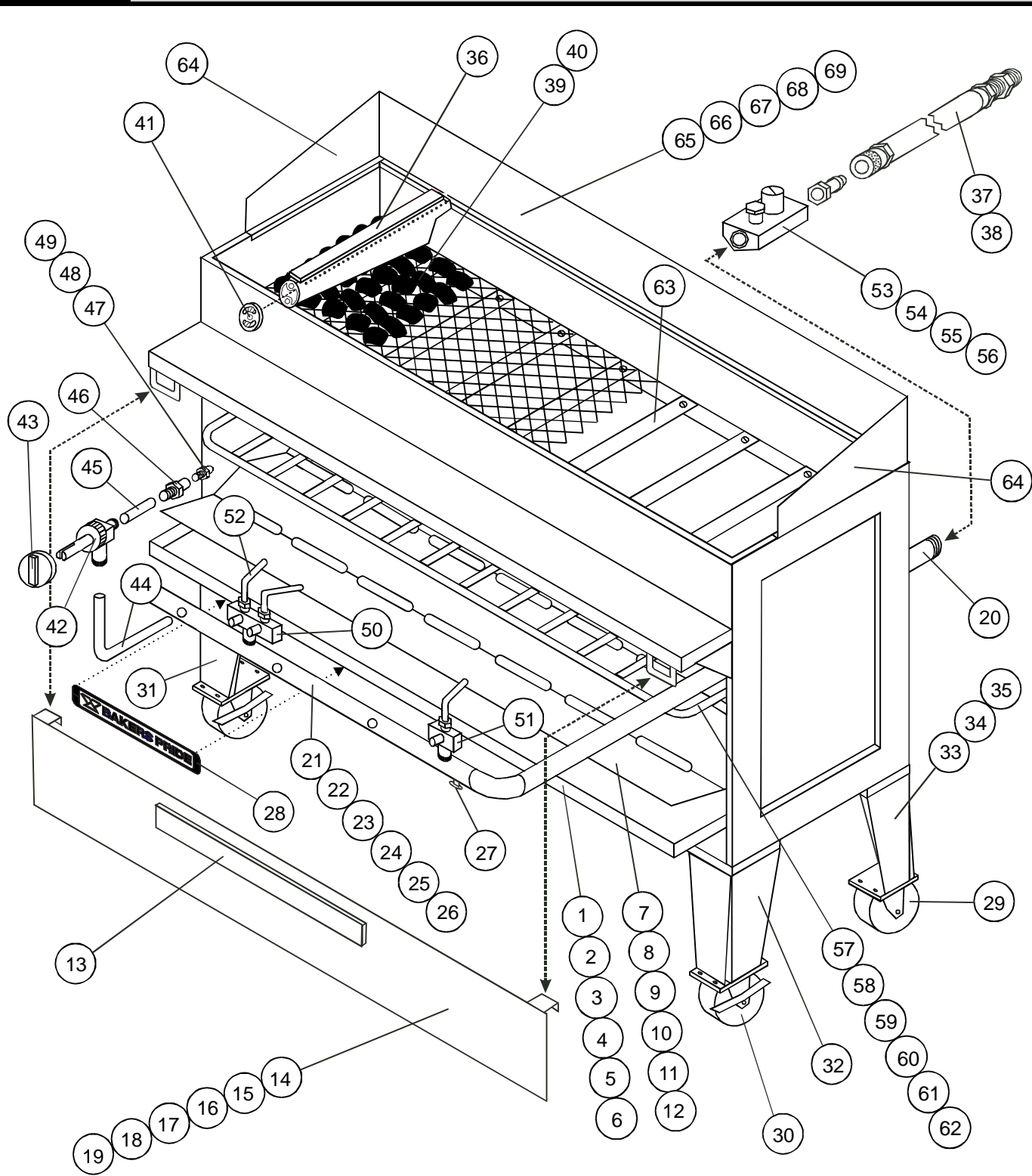
Gas Char Broiler

30 Pine Street • New Rochelle • New York • 10801

914 / 576 - 0200  
 914 / 576 - 0605 fax  
 1 - 800 - 431 - 2745 US & Canada  
 www.bakerspride.com web address



**Figure A Exterior / Grates**



30 Pine Street • New Rochelle • New York • 10801

914 / 576 - 0200  
 914 / 576 - 0605 fax  
 1 - 800 - 431 - 2745 US & Canada  
 www.bakerspride.com web address

# SGBR-2, 3, 4, 5, 6, 7

Gas Char Broiler

Item	Part #	Description	Item	Part #	Description
<b>Exterior / Interior</b>					
1	T3030K	Grease Pan, 20" x 27", SGBR2	38	N1023A	Quick Disconnect 3/4" Flex Hose, SGBR2,3 (Opt)
2	T3029K	Grease Pan, 20" x 40 5/8", SGBR3	39	T1047X	*Glo-Stones, Ceramic, 20# (1/2 Lot)
<b>Note: Required for a complete set of Grease Pans:</b>					
3		SGBR4 (2 T3030K)	40	T1048A	*Glo-Stones, Ceramic, 40# (1 Lot)
4		SGBR5 (1 T3030K, 1 T3029K)	*Lots: SGBR2-1, SGBR3-1 1/2, SGBR4-2 SGBR5-2 1/2, SGBR6-3, SGBR7-3 1/2		
5		SGBR6 (2 T3029K)	41	R3019X	Air Mixer Cap (w/screw)
6		SGBR7 (2 T3030K, 1 T3029K)	42	R3032X	*Gas Valve (no knob)
7	G3068X	Flame Guard, SGBR2	*# Used: SGBR2-6, SGBR3-9, SGBR4-12 SGBR5-16, SGBR6-20, SGBR7-22		
8	G3069X	Flame Guard, SGBR3	43	S1094X	Knob, Gas Valve
<b>Note: Required for a complete set of Flame Guards:</b>					
9		SGBR4 (2 G3068X)	44	N1006X	Curved Valve Extention
10		SGBR5 (1 G3068X, 1 G3069X)	45	N1004X	Straight Valve Extention, 4 7/8"
11		SGBR6 (2 G3069X)	46	R3025X	Spud Orifice Holder
12		SGBR7 (2 G3068X, 1 G3069X)	47	R3028X	Orifice Spud, Drill #49, Nat
13	S1134X	Handle, Heat Shield w/Hdwre	48	R3031X	Orifice Spud, Drill #56, LP
14	T3061V	Heat Shield w/Handle, S/S, SGBR2	49	R3026X	Orifice Spud, Blank
15	T3062V	Heat Shield w/Handle, S/S, SGBR3	50	R3020X	Valve, Dual Pilot
<b>Note: Required for a complete set of Heat Shields:</b>					
16	T3063X	SGBR4 (2 T3061V)	51	R3021X	Valve, Single Pilot
17	T3064X	SGBR5 (1 T3061V, 1 T3062V)	52	R3092X	Pilot Tube, S/S, 4 1/2" (w/nut & ferrule)
18	T3065X	SGBR6 (2 T3062V)	53	M1008X	*Pressure Regulator, 3/4", Nat, 5"WC
19	T3066X	SGBR7 (2 T3061V, 1 T3062V)	*Used On: SGBR2 & SGBR3		
20	N5404P	Inlet Manifold (All SGBR)	54	M1009X	*Pressure Regulator, 3/4", LP, 10"WC
21	R1028A	Manifold (SGBR-2)	*Used On: SGBR2 & SGBR3		
22	R1029A	Manifold (SGBR-3)	55	M1066X	*Pressure Regulator, 1", Nat, 5"WC
23	R1030A	Manifold (SGBR-4)	*Used On: SGBR4, 5, 6 & 7		
24	R1031A	Manifold (SGBR-5)	56	M1067X	*Pressure Regulator, 1", LP, 10"WC
25	R1032A	Manifold (SGBR-6)	*Used On: SGBR4, 5, 6 & 7		
26	R1033A	Manifold (SGBR-7)	57	T3010A	Wire Rack, SGBR2
27	N3068P	Pressure Tap Nozzle Assy	58	T3011A	Wire Rack, SGBR3
28	U1043X	Bakers Pride Name Plate, 13 1/2"	<b>Note: Required for a complete set of Wire Racks:</b>		
29	S1022X	4" Caster w/o Lock, each	59		SGBR4 (2 T3010A)
30	S1023X	4" Caster w/Lock, each	60		SGBR5 (1 T3010A, 1 T3011A)
31	S1090T	Front Leg, Left w/Caster, 12"	61		SGBR6 (2 T3011A)
32	S1091T	Front Leg, Center & Right w/Caster, 12"	62		SGBR7 (2 T3010A, 1 T3011A)
33	S1089T	Rear Leg, w/Caster, 12", each	63	H3112X	Bottom S/S Grate Support Angle
34	S1018T	Leg, 12", each	64	H3560S	S/S Splash Guard Sides (w/3 Level Back)
35	S1115Y	Legs w/Casters, 12" (Set/4)	65	H3553S	S/S Splash Guard (w/2 Level Back) SGBR-3
36	L5009V	*Burner Assy, Straight (w/cap)	66	H3554S	S/S Splash Guard (w/2 Level Back) SGBR-4
*# Used: SGBR2-6, SGBR3-9, SGBR4-12 SGBR5-16, SGBR6-20, SGBR7-22					
37	N1003A	Quick Disconnect 1" Flex Hose, SGBR4,5,6,7 (Opt)	67	H3555S	S/S Splash Guard (w/2 Level Back) SGBR-5
			68	H3556S	S/S Splash Guard (w/2 Level Back) SGBR-6
			69	H3557S	S/S Splash Guard (w/2 Level Back) SGBR-7
			N/S	L5010V	Burner Assy, Continuity (w/cap) O/S