

# FLB-72R/GS

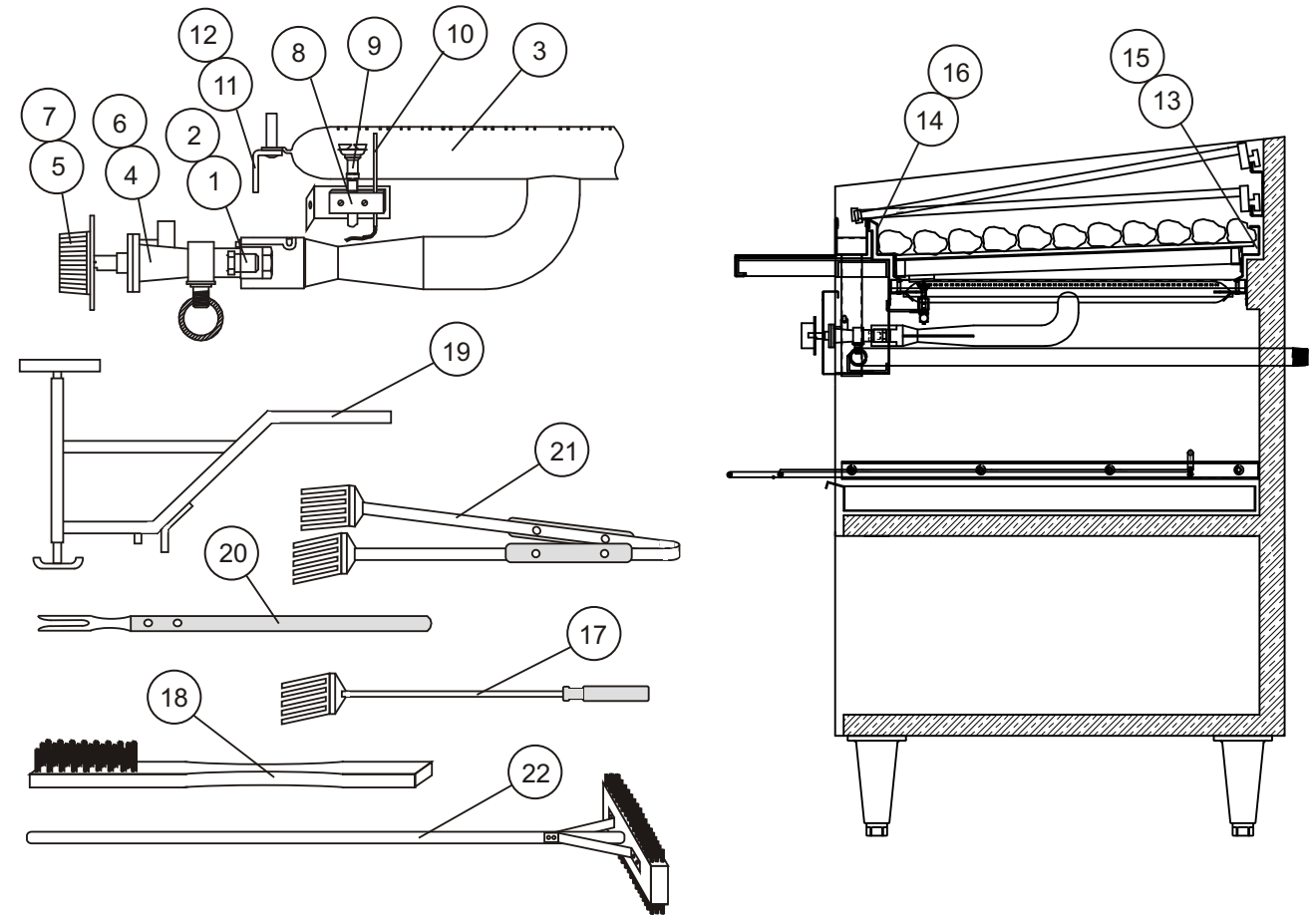
Gas Char Broiler

30 Pine Street • New Rochelle • New York • 10801

914 / 576 - 0200  
 914 / 576 - 0605 fax  
 1 - 800 - 431 - 2745 US & Canada  
 www.bakerspride.com web address



**Figure C** Burner / Accessories / Supports



Item	Part #	Description	Item	Part #	Description
1	R3136X	Hood Orifice #54 (LP)	12	G5029U	Burner Support Assy, 23" /4
2	R3130X	Hood Orifice #44 (Nat)	13	G5044U	Radiant Support Assy, Rear 18" /3
3	L5077X	Burner, Center Feed	14	G5046U	Radiant Support Assy, Front 18" /3
4	R3032X	Gas Valve	15	G5045U	Radiant Support Assy, Rear 12" /1
5	S1094X	Knob, Gas Valve	16	G5047U	Radiant Support Assy, Front 12" /1
6	R3128X	Gas Valve (used w/Pilot Safety)	17	T5018V	Spatula, Chef-Aide, 20" Single
7	S1301X	Knob, Gas Valve, CE (used w/Pilot Safety)	18	T5017X	Wire Brush, Chef-Aide, 18"
8	G5064K	Pilot Bracket (used w/Pilot Safety)	19	G5221U	Grate Lifter
9	M1359X	Pilot Burner (used w/Pilot Safety)	20	T5016A	Meat Fork
10	M1358X	Thermocouple, 10" (used w/Pilot Safety)	21	T5019V	Steak Turner
11	G5028U	Burner Support Assy, 17" /2	22	T5104V	Twin Head Grate Brush
<b>Conversion Kit (LP to Nat)</b>			<b>Conversion Kit (Nat to LP)</b>		
11	R3130X	Hood Orifice #44 (Nat)	11	R3136X	Hood Orifice #54 (LP)
1	M1418A	Pressure Regulator 1", 3.5"W.C. (Nat)	1	M1067X	Pressure Regulator 1", 10"W.C. (LP)



30 Pine Street • New Rochelle • New York • 10801

914 / 576 - 0200  
 914 / 576 - 0605 fax  
 1 - 800 - 431 - 2745 US & Canada  
 www.bakerspride.com web address

# FLB-72R/GS

Gas Char Broiler

## PARTS LIST

*Dante*  
SERIES



Model Number: **FLB-72R/GS**

Serial Number \_\_\_\_\_

Type of Gas

Natural

L.P.

Other

# FLB-72R/GS

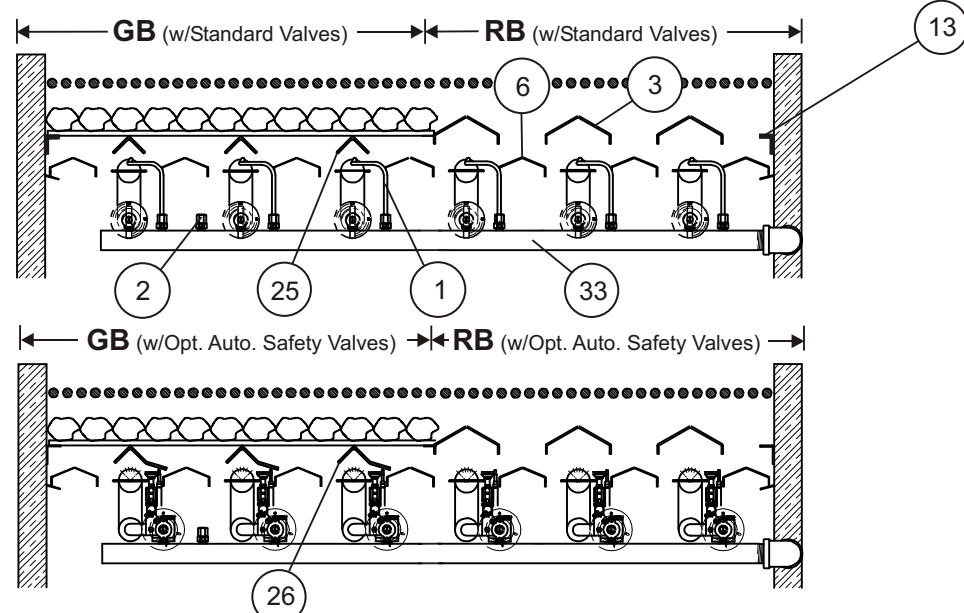
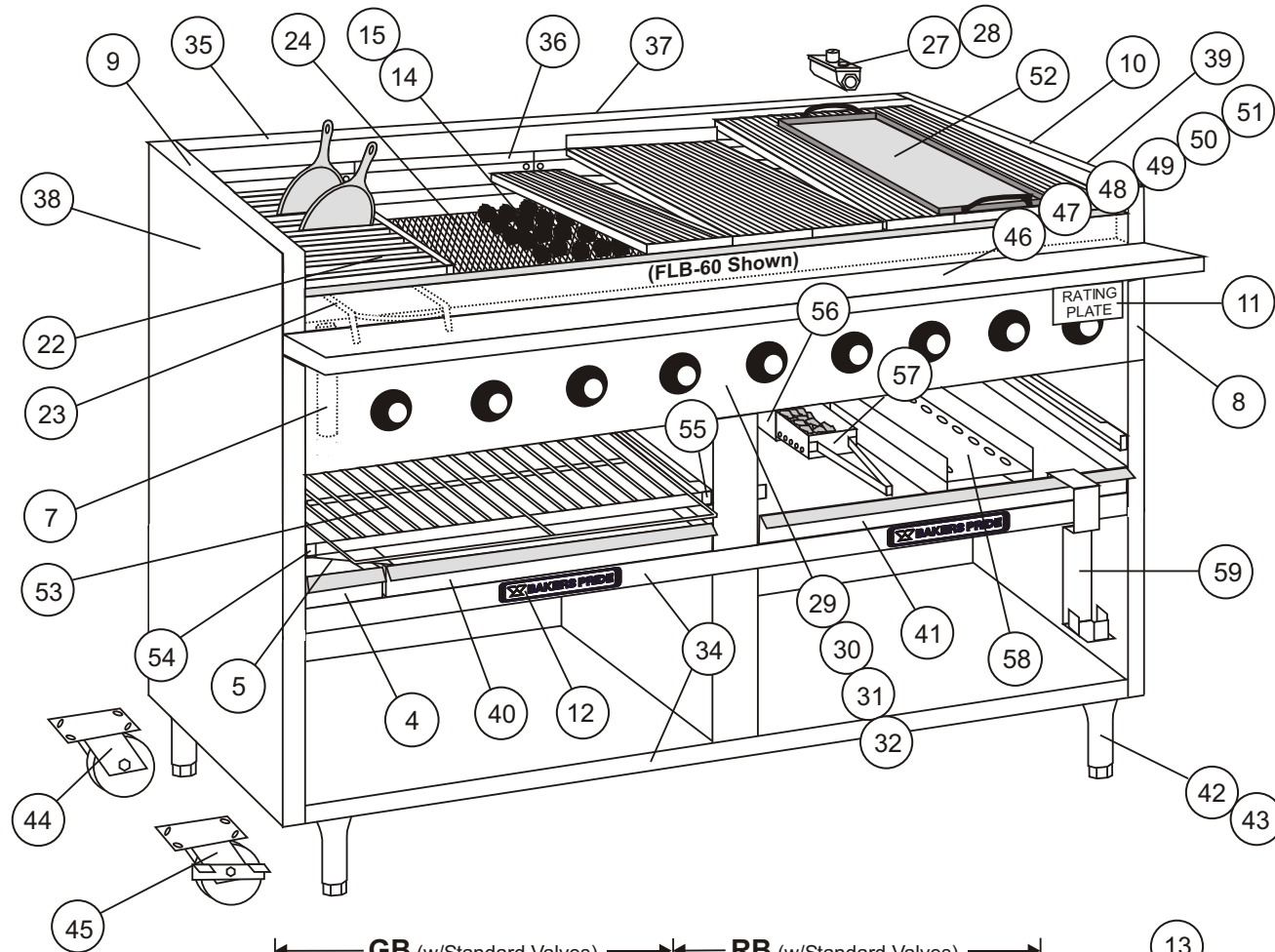
Gas Char Broiler

30 Pine Street • New Rochelle • New York • 10801

914 / 576 - 0200  
 914 / 576 - 0605 fax  
 1 - 800 - 431 - 2745 US & Canada  
 www.bakerspride.com web address



Figure A Exterior / Interior



30 Pine Street • New Rochelle • New York • 10801

914 / 576 - 0200  
 914 / 576 - 0605 fax  
 1 - 800 - 431 - 2745 US & Canada  
 www.bakerspride.com web address

# FLB-72R/GS

Gas Char Broiler

Item	Part #	Description	Item	Part #	Description
<b>Exterior / Interior</b>					
1	R3042X	Pilot Tube, 7 3/8" w/Nut & Ferrule	31	U1324A	Control Panel Overlay-72
2	N3068P	Pressure Tap Nozzle	32	U1329A	Control Panel Overlay, CE-72
3	G5073X	Radiant S/S (Standard)	33	R1123A	Manifold-72
4	G5069K	Grease Drawer	34	G5163K	Front Trim-72
5	G5070U	Grease Shield Assy	35	G5167K	Back Trim-72
6	G5072K	Heat Shield	36	G5043K	Top Grate Support, 22 1/2" /3
7	G5129U	Grease Drain Assy-72	37	G5151K	Outer Back-FLB72
8	G5212K	Manifold Cover	38	G5052K	Outer Side, Left-FLB
9	G5060K	Side Trim, Left	39	G5053K	Outer Side, Right-FLB
10	G5061K	Side Trim, Right	40	G5179K	Drip Pan, 28 1/2" /1
11	G5205K	Rating/Instruction Plate Mount	41	G5068K	Drip Pan, 32 1/2" /1
12	U1044X	Bakers Pride Name Plate, 8"	42	S1049A	Legs, 6" (Standard) each
13	G5039K	Bottom Grate Support, L or R Side	43	S1049Y	Legs, 6" (Standard) Set/4
14	T1047X	Glo-Stones, 1/2 Lot (20#)	44	S1022X	Casters, 4" No/Lock (Optional) each
15	T1048X	Glo-Stones, Full Lot (40#)	45	S1023X	Casters, 4" W/Lock (Optional) each
16	T1197X	Top Roll-A-Grate, 9" (Standard) /1	46	G5136K	Work Deck-72
17	T1198X	Top Roll-A-Grate, 6" (Standard) /10	47	G5125U	Front Brace Assy-72
18	T1212A	Top Grate, 6", Cast Iron (Optional)	48	G5284K	Work Deck-72, 10"
19	T1216A	Top Grate, 4 1/2", Cast Iron (Optional)	49	G5285U	Front Brace Assy-72, 10"
20	T1210X	Meat Grate, 6" (Optional)	50	G5314K	Work Deck-72, 12"
21	T1211X	Meat Grate, 9" (Optional)	51	G5315U	Front Brace Assy-72, 12"
22	T1213T	Fajita Top Grate (Optional)	52	T1209U	Breakfast Griddle, 11"W (Optional)
23	T1214T	Fajita Bottom Grate (Optional)	53	T1208U	Wire Rack, 33" /2
24	T1205A	Bottom Grate, S/S, 34" /2	54	G5131U	Left Wire Rack Guide Assy
25	G5040U	Bottom Grate Support /11	55	G5132U	Right Wire Rack Guide Assy
26	G5041U	Bottom Grate Support (CE) /11	56	G5180U	Smoker Box Assy (No Drawer)
27	M1067X	Pressure Regulator 1", 10"W.C. (LP)	57	G5187U	Drawer, Smoker Box
28	M1418A	Pressure Regulator 1", 3.5"W.C. (Nat)	58	G5182U	Log Support (Optional)
29	G5171K	Control Panel-72	59	G5186K	Bottle Holder, RH (Optional)
30	G5175K	Control Panel, CE-72			

Figure B Grates

