



## BAKERS PRIDE LIMITED WARRANTY

30 Pine Street New Rochelle, New York 10801  
 914 / 576 - 0200 • US & Canada: 1 - 800 - 431 - 2745 • fax 914 / 576 - 0605

**WHAT IS COVERED** This warranty covers defects in material and workmanship under normal use, and applies only to the original purchaser providing that:

- ◆ The equipment has not been accidentally or intentionally damaged, altered or misused;
- ◆ The equipment is properly installed, adjusted, operated and maintained in accordance with National and local codes, and in accordance with the installation instruction provided with the product;
- ◆ The serial number rating plate affixed to the equipment has not been defaced or removed.

**WHO IS COVERED** This warranty is extended to the original purchaser and applies only to equipment purchased for use in the U.S.A.

**COVERAGE PERIOD** Cyclone Convection Ovens: BCO Models: One (1) Year limited parts and labor; (1) Year limited door warranty.  
 GDCO Models: Two (2) Year limited parts and labor; (2) Year limited door warranty.  
 CO11 Models: Two (2) Year limited parts and labor; (5) Year limited door warranty.  
 All Other Products: One (1) Year limited parts and labor. Warranty period begins the date of dealer invoice to customer or ninety (90) days after shipment date from BAKERS PRIDE - whichever comes first.

**WARRANTY COVERAGE** This warranty covers on-site labor, parts and reasonable travel time and travel expenses of the authorized service representative up to (100) miles, round trip, and (2) hours travel time. The purchaser, however, shall be responsible for all expenses related to travel, including time, mileage and shipping expenses on smaller counter models that may be carried into a Factory Authorized Service Center, including the following models: PX-14, PX-16, P18, P22S, P24S, PD-4, PDC, WS Series and BK-18.

**EXCEPTIONS** All removable parts in BAKERS PRIDE Char-broilers, including but not limited to: Burners, Grates, Radiants, Stones and Valves, are covered for a period of SIX MONTHS.  
 All Ceramic Baking Decks are covered for a period of THREE MONTHS. The installation of these replacement decks is the responsibility of the purchaser.  
 The extended Cyclone door warranty years 3 through 5 is a parts only warranty and does not include labor, travel, mileage or any other charges.

**EXCLUSIONS**

- ◆ Negligence or acts of God,
- ◆ Thermostat calibrations after (30) days from equipment installation date,
- ◆ Air and Gas adjustments,
- ◆ Light bulbs,
- ◆ Glass doors and door adjustments,
- ◆ Fuses,
- ◆ Char-broiler work decks and cutting boards,
- ◆ Tightening of conveyor chains,
- ◆ Adjustments to burner flames and cleaning of pilot burners,
- ◆ Tightening of screws or fasteners,
- ◆ Failures caused by erratic voltages or gas supplies,
- ◆ Unauthorized repair by anyone other than a BAKERS PRIDE Factory Authorized Service Center,
- ◆ Damage in shipment,
- ◆ Alteration, misuse or improper installation,
- ◆ Thermostats and safety valves with broken capillary tubes,
- ◆ Accessories — spatulas, forks, steak turners, grate lifters, oven brushes, scrapers, peels, etc.,
- ◆ Freight — other than normal UPS charges,
- ◆ Ordinary wear and tear.

**INSTALLATION** Leveling and installation of decks, as well as proper installation and check out of all new equipment — per appropriate installation and use materials — is the responsibility of the dealer or installer, not the manufacturer.

**REPLACEMENT PARTS** BAKERS PRIDE genuine Factory OEM parts receive a (90) day materials warranty effective from the date of installation by a BAKERS PRIDE Factory Authorized Service Center.

This Warranty is in lieu of all other warranties, expressed or implied, and all other obligations or liabilities on the manufacturers part. BAKERS PRIDE shall in no event be liable for any special, indirect or consequential damages, or in any event for damages in excess of the purchase price of the unit. The repair or replacement of proven defective parts shall constitute a fulfillment of all obligations under the terms of this warranty.

Form #U4177A 3/04



30 Pine Street • New Rochelle • New York • 10801  
 914 / 576 - 0200  
 914 / 576 - 0605 fax  
 1 - 800 - 431 - 2745 US & Canada  
 www.bakerspride.com web address

**CH-6, 8, 10, 12, 14**  
**Gas Char Broiler**

## PARTS LIST

*Dante*  
 SERIES



Form # U4107A 7/03

Model Number			Serial Number	Type of Gas		
CH-6 <input type="checkbox"/>	CH-8 <input type="checkbox"/>			<input type="checkbox"/>	<input type="checkbox"/>	<input type="checkbox"/>
CH-10 <input type="checkbox"/>	CH-12 <input type="checkbox"/>	CH-14 <input type="checkbox"/>	_____	Natural	L.P.	Other

# CH-6, 8, 10, 12, 14

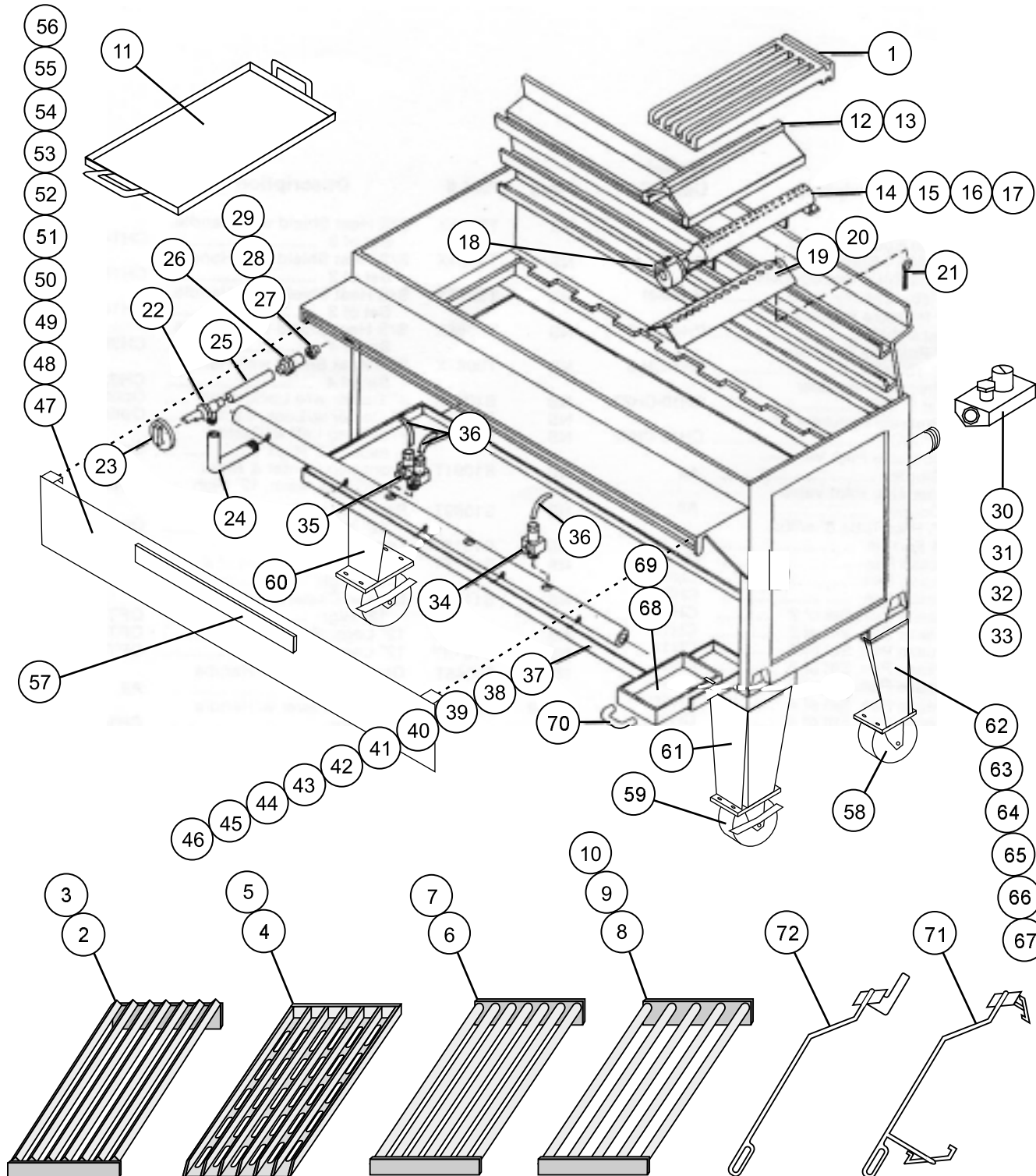
Gas Char Broiler

30 Pine Street • New Rochelle • New York • 10801

914 / 576 - 0200  
 914 / 576 - 0605 fax  
 1 - 800 - 431 - 2745 US & Canada  
 www.bakerspride.com web address



Figure A Exploded View



30 Pine Street • New Rochelle • New York • 10801

914 / 576 - 0200  
 914 / 576 - 0605 fax  
 1 - 800 - 431 - 2745 US & Canada  
 www.bakerspride.com web address

# CH-6, 8, 10, 12, 14

Gas Char Broiler

Item	Part #	Description	Item	Part #	Description
<b>Parts List (See Figure A)</b>					
1	T1006A	Top Grate 5 1/4" Wide	40	T3120X	Grease Pan, set/2 (CH-10)
2	T1217U	Grate, Meat (4 1/2")	41	T3121X	Grease Pan, set/2 (CH-12)
3	T1210U	Grate, Meat (6")	42	T3122X	Grease Pan, set/3 (CH-14)
4	T1216A	Grate, Top, Flat Cast Iron (4 1/2")	43	T3123X	Grease Pan, set/3 (CH-16)
5	T1212A	Grate, Top, Flat Cast Iron (6")	44	T3124X	Grease Pan, set/3 (CH-18)
6	T1199U	Roll-A-Grate (4 1/2")	45	T3125X	Grease Pan, set/4 (CH-20)
7	T1198U	Roll-A-Grate (6")	46	T3126X	Grease Pan, set/4 (CH-22)
8	T1230T	Grate, Fish (4 1/2")	47	T3078V	S/S Heat Shield w/Handle (CH-4)
9	T1229T	Grate, Fish (6")	48	T3079V	S/S Heat Shield w/Handle (CH-6)
10	T1166T	Grate, Fish (10 1/2")	49	T3080V	S/S Heat Shield w/Handle (CH-8)
N/S	T1228T	Grate, Tango (6")	50	T3081X	S/S Heat Shield w/Handle set/2 (CH-10)
N/S	T1227T	Grate, Tango (9")	51	T3082X	S/S Heat Shield w/Handle set/2 (CH-12)
11	T1020T	Griddle Plate (Optional)	52	T3083X	S/S Heat Shield w/Handle set/3 (CH-14)
12	T1007A	Radiant Deflector (Cast Iron)	53	T3084X	S/S Heat Shield w/Handle set/3 (CH-16)
13	T1155T	Radiant Deflector (Stainless Steel)	54	T3085X	S/S Heat Shield w/Handle set/3 (CH-18)
14	L5019X	Tube Burner Assy w/Grease Guard	55	T3086X	S/S Heat Shield w/Handle set/4 (CH-20)
15	L5013X	Tube Burner w/Air Mixer Cap	56	T3087X	S/S Heat Shield w/Handle set/4 (CH-22)
16	L5027V	Cast Iron Burner w/Grease Guard O/S	57	S1134X	Heat Shield Handle w/Hardware
17	L5014V	Cast Iron Burner w/Air Mixer Cap O/S	58	S1022X	4" Caster w/o Lock (each)
18	R3022X	Air Mixer Cap w/Screw (for O/S CI Burner)	59	S1023X	4" Caster w/Lock (each)
19	H1044K	Burner Grease Guard	60	S1090T	Front Leg Left w/caster 12" (each)
20	H1008K	Burner Grease Guard (for O/S CI Burner)	61	S1091T	Front Leg Cen. & Right w/caster 12" (each)
21	Q4008A	Cotter Pin	62	S1089T	Rear Leg w/caster 12" (each)
22	R3032X	Gas Valve (without knob)	63	S1018T	Leg 12" (each)
23	S1094X	Gas Valve Knob	64	S1115Y	Legs w/Casters set/4 (12")
24	N1006X	Curved Valve Extension	65	S1116Y	Legs w/Casters set/6 (12")
25	N1005X	3 5/8" Straight Valve Extension	66	S1017Y	12" Legs set/6
26	R3025X	Orifice Holder (Only)	67	S1018Y	12" Legs set/4
27	R3028X	Orifice Spud #49 Drill (.073") Nat.	68	T3045T	Grease Drawer w/Handle Left (All)
28	R3031X	Orifice Spud #56 Drill (.0465") LP	69	T3046T	Grease Drawer w/Handle Right (CH14-22)
29	R3026X	Orifice Spud - Special Drill Size (Specify)	70	S1016X	Grease Drawer Handle w/Screws
30	M1008X	Pressure Regulator 3/4" Nat 5"WC (CH 6, 8)	71	G5221U	Grate Lifter (Roll-A-Grate)
31	M1009X	Pressure Regulator 3/4" LP 10"WC (CH 6, 8)	72	T5041T	Grate Lifter (Cast Iron) 3' x 20"
32	M1066X	Pressure Regulator 1" Nat 5"WC (CH 10, 12, 14)	N/S	T1190A	Richlite CH-6 (Optional)
33	M1067X	Pressure Regulator 1" LP 10"WC (CH 10, 12, 14)	N/S	T1189A	Richlite CH-8 (Optional)
34	R3021X	Adjustable Pilot Valve (Single)	N/S	T1174A	Richlite CH-10 (Optional)
35	R3020X	Adjustable Pilot Valve (Double)	N/S	T1122A	Richlite CH-12 (Optional)
36	R3034X	S/S Pilot Tube 6" w/nut & ferrule	N/S	T1123A	Richlite CH-14 (Optional)
37	T3015T	Grease Pan (CH-4)	N/S	H1530S	Splash Sides (Set/2)
38	T3016T	Grease Pan (CH-6)	N/S	T1251T	Griddle Plate 10 1/2" (In Line)
39	T3018T	Grease Pan (CH-8)	N/S	T1252T	Griddle Plate 18" (In Line)

Conversion Kit (LP to Nat)		Conversion Kit (Nat to LP)	
R3028X	Orifice Spud #49 Drill (.073") Nat. (CH-6 uses 6, CH-8 uses 8, CH-10 uses 10, CH-12 uses 12, CH-14 uses 14)	R3031X	Orifice Spud #56 Drill (.0465") LP (CH-6 uses 6, CH-8 uses 8, CH-10 uses 10, CH-12 uses 12, CH-14 uses 14)
M1008X	Pressure Regulator 3/4" Nat 5"WC (CH 6, 8)	M1009X	Pressure Regulator 3/4" LP 10"WC (CH 6, 8)
M1066X	Pressure Regulator 1" Nat 5"WC (CH 10, 12, 14)	M1067X	Pressure Regulator 1" LP 10"WC (CH 10, 12, 14)